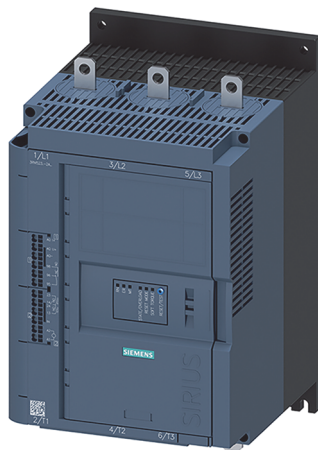
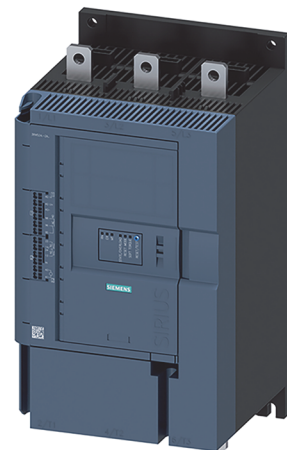
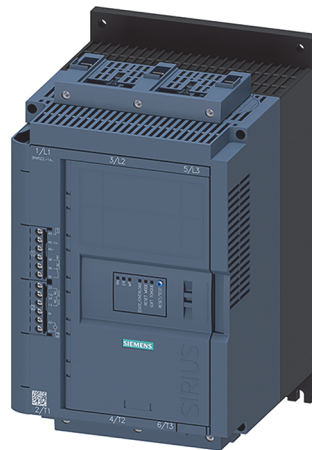
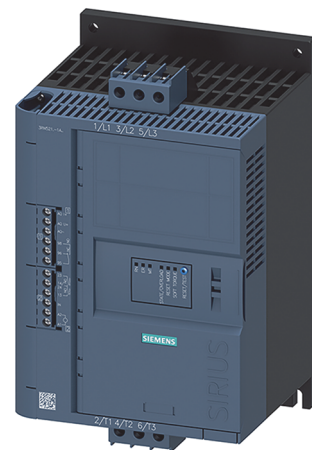


SIRIUS

| | |
|----|---|
| DE | Ersatzteile für Sanftstarter 3RW52 Explosionszeichnungen |
| EN | Spare parts for soft starter 3RW52 Exploded sketches |
| FR | Des pièces de rechange pour démarreur progressif 3RW52 Des dessins d'explosion |
| ES | Piezas de reparación para arrancador suave 3RW52 Diagramas en explosión |
| IT | Pezzi di ricambio perché softstarter 3RW52 Abbozzi esplosi |
| 中文 | 备用零件为软起动器 3RW52 推翻素描 |



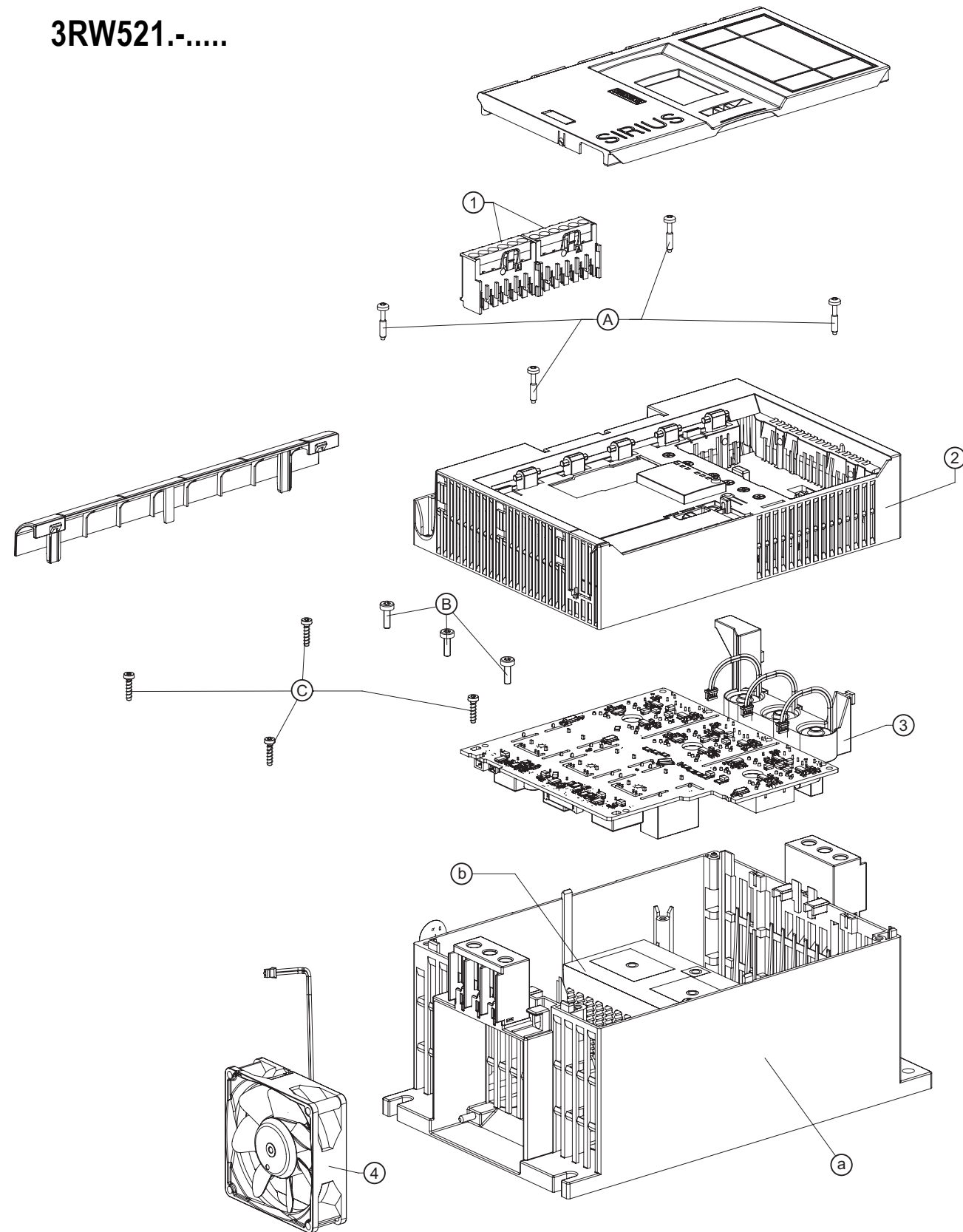
| | | |
|----|------|--|
| DE | | GEFAHR Lebensgefahr durch Berührung unter Spannung stehender Teile Das vorliegende Gerät / Teil führt gefährliche Spannungen. Beim Berühren unter Spannung stehender Teile erleiden Sie Tod oder schwere Körperverletzungen. Die gefährliche Spannung steht im Geräteinneren bis zu 2 Minuten nach Abschalten der Versorgungsspannungen an. Installation, Inbetriebnahme und Wartung nur durch qualifiziertes Fachpersonal. Beachten Sie die Hinweise in den Betriebsanleitungen und Handbüchern des zugehörigen Sanftstarters. |
| EN | | DANGER Danger to life when live parts are touched This device/part carries dangerous voltages. Death or serious injury will result if you touch live parts. The dangerous voltage is still present inside the device for up to 2 minutes after the supply voltages have been disconnected. Installation, commissioning and maintenance by qualified technicians only. Read the information provided in the operating instructions and manuals of the corresponding Soft Starter. |
| FR | | DANGER Danger de mort par contact avec les pièces sous tension Cet appareil / ce composant est soumis à des tensions dangereuses. Un contact avec les pièces sous tension entraîne la mort ou des blessures graves. La tension reste dangereuse à l'intérieur de l'appareil 2 minutes après la coupure des tensions d'alimentation. L'installation, la mise en service et la maintenance doivent être effectuées uniquement par du personnel spécialisé qualifié. Veuillez tenir compte des consignes figurant dans les instructions de service et les manuels du démarreur progressif correspondant. |
| ES | | PELIGRO Peligro de muerte al tocar piezas bajo tensión Existen tensiones peligrosas en el equipo/la pieza. Tocar piezas que están bajo tensión puede provocar lesiones corporales graves o incluso la muerte. La tensión peligrosa sigue estando presente en el interior del equipo hasta 2 minutos después de desconectar las tensiones de alimentación. La instalación, la puesta en marcha y el mantenimiento deben encomendarse exclusivamente a personal especializado. Tenga en cuenta las indicaciones proporcionadas en las instrucciones de servicio y los manuales del arrancador suave en cuestión. |
| IT | | PERICOLO Pericolo di morte al contatto con componenti sotto tensione Nel presente dispositivo / componente sono presenti tensioni pericolose. Il contatto con componenti sotto tensione può comportare pericolo di morte e gravi lesioni fisiche. La tensione pericolosa è presente all'interno del dispositivo per altri 2 minuti dopo la disinserzione delle tensioni di alimentazione. L'installazione, la messa in servizio e la manutenzione possono essere eseguite solo da personale qualificato. Osservare le avvertenze nelle istruzioni operative e nei rispettivi manuali dell'avviatore dolce (o sanftstarter). |
| 中文 | | 危险 触摸带电部件有生命危险 该设备 / 部件带有危险电压。触摸带电部件可造成严重身体伤害甚至死亡。电源电压断开后，设备内的危险电压仍然存在最长 2 分钟。只能由有资质的专业人员进行安装、调试和维护。请遵守操作说明和相关软起动器手册中的说明。 |

SIEMENS AG Telephone: +49 (911) 895-5900 (8⁰⁰ - 17⁰⁰ CET)
 Technical Assistance Fax: +49 (911) 895-5907
 Breslauer Str. 5 E-mail: technical-assistance@siemens.com
 D-90766 Fürth Internet: www.siemens.com/sirius/technical-assistance

<http://support.industry.siemens.com>

109747404

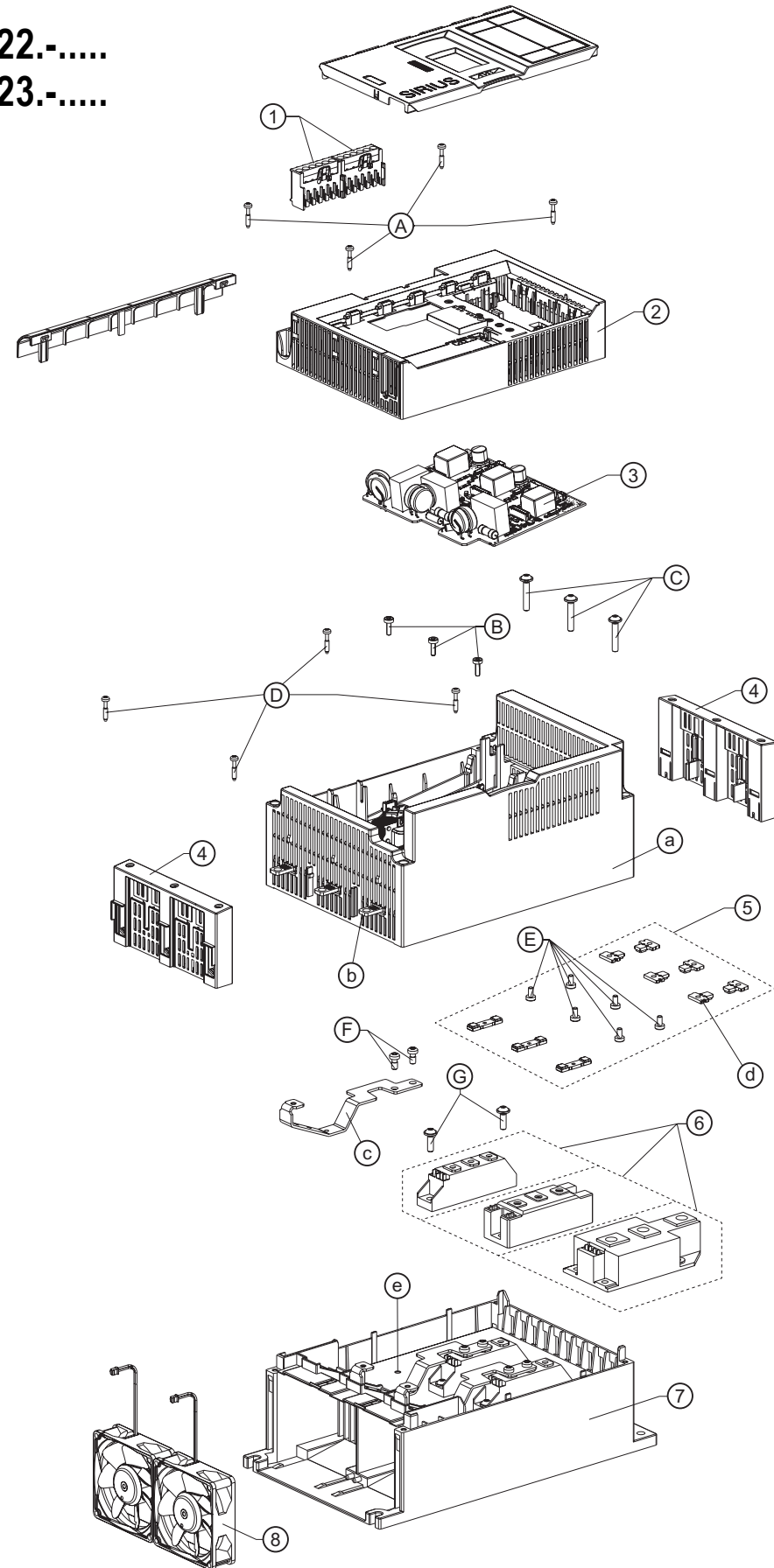
3RW521.-.....



| Position | Article Number (Spare Part) | Article Number (Soft Starter) |
|----------|-----------------------------|--|
| 1 | 3RW5980-1TR00 | 3RW521.-1.C.. |
| | 3RW5980-2TR00 | 3RW521.-3.C.. |
| 2 | 3RW5920-1UA00 | 3RW52...-AC0. |
| | 3RW5920-1UA10 | 3RW52...-AC1. |
| | 3RW5920-1UT00 | 3RW52...-TC0. |
| | 3RW5920-1UT10 | 3RW52...-TC1. |
| 3 | 3RW5921-0PA04 | 3RW5213...C.4 |
| | 3RW5921-0PA05 | 3RW5213...C.5 |
| | 3RW5921-0PB04 | 3RW5214...C.4 |
| | 3RW5921-0PB05 | 3RW5214...C.5 |
| | 3RW5921-0PC04 | 3RW5215...C.4 |
| | 3RW5921-0PC05 | 3RW5215...C.5 |
| | 3RW5921-0PD04 | 3RW5216...C.4 |
| | 3RW5921-0PD05 | 3RW5216...C.5 |
| | 3RW5921-0PE04 | 3RW5217...C.4 |
| | 3RW5921-0PE05 | 3RW5217...C.5 |
| 4 | 3RW5983-0FF00 | 3RW5216-..... (1x) 3RW5217-..... (1x) |

| Position | Assembly | Screws | Tightening torque |
|----------|----------|-------------|-------------------|
| A | 2 - a | 3,5 mm x 19 | 140 Ncm |
| B | 3 - b | M4 x 12 | 150 Ncm |
| C | 3 - a | 3,5 mm x 14 | 140 Ncm |

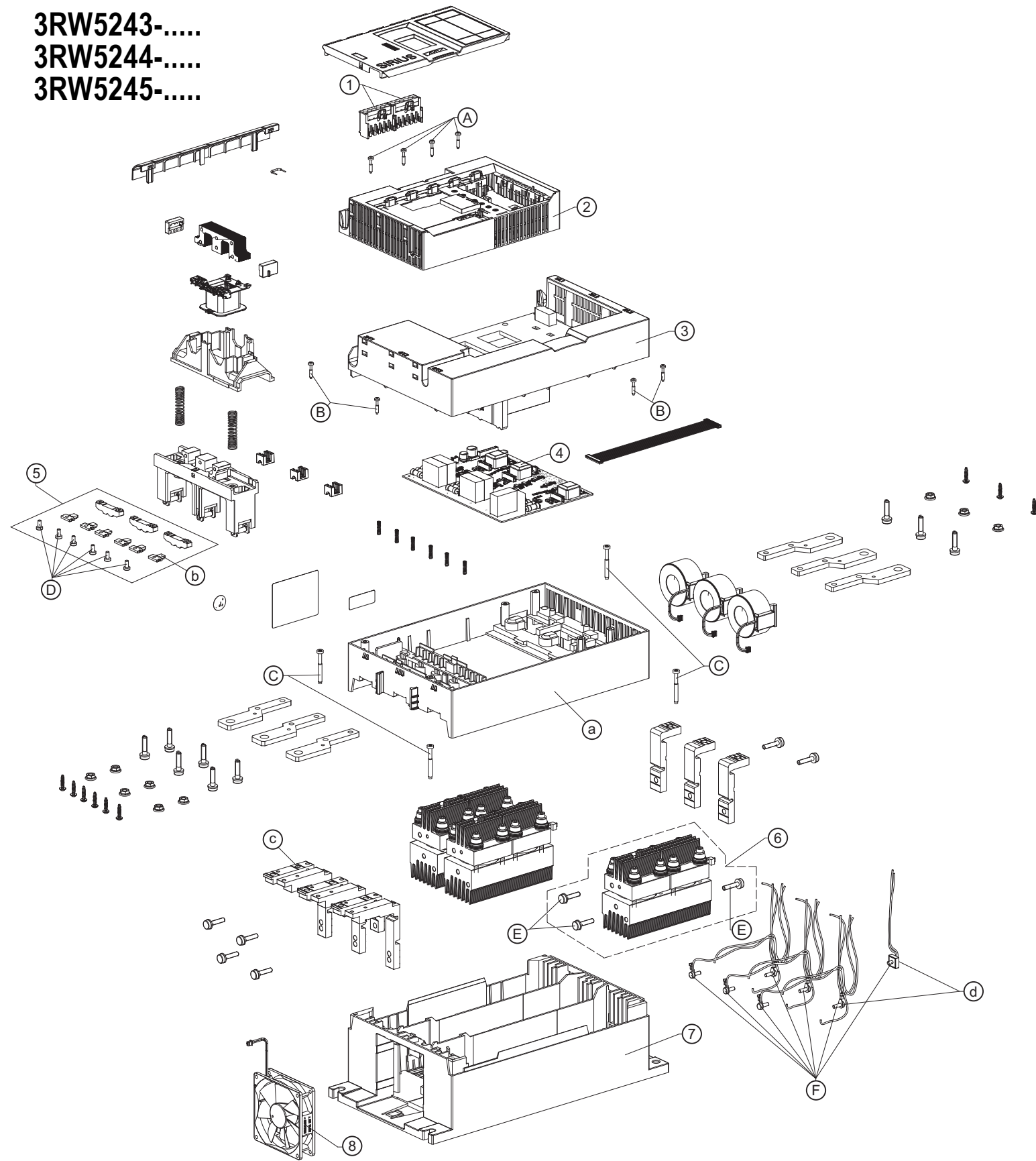
3RW522.-.....
3RW523.-.....



| Position | Article Number (Spare Part) | Article Number (Soft Starter) |
|----------|-----------------------------|--|
| 1 | 3RW5980-1TR00 | 3RW522.-1.C.. 3RW523.-6.C.. |
| | 3RW5980-2TR00 | 3RW522.-3.C.. 3RW523.-2.C.. |
| 2 | 3RW5920-1UA00 | 3RW52...-AC0. |
| | 3RW5920-1UA10 | 3RW52...-AC1. |
| | 3RW5920-1UT00 | 3RW52...-TC0. |
| | 3RW5920-1UT10 | 3RW52...-TC1. |
| 3 | 3RW5923-0PY04 | 3RW522...-C.4 3RW523...-C.4 |
| | 3RW5923-0PY05 | 3RW522...-C.5 3RW523...-C.5 |
| 4 | 3RW5982-0TB00 | 3RW522.-..... (2x) |
| 5 | 3RW5953-0BY00 | 3RW522.-..... 3RW523.-..... |
| 6 | 3RW5952-0SF04 | 3RW5224...-C.4 (3x) |
| | 3RW5952-0SF05 | 3RW5224...-C.5 (3x) |
| | 3RW5952-0SH04 | 3RW5225...-C.4 3RW5226...-C.4 (3x) |
| | 3RW5952-0SH05 | 3RW5225...-C.5 3RW5226...-C.5 (3x) |
| | 3RW5952-0SJ04 | 3RW5227...-C.4 (3x) |
| | 3RW5952-0SJ05 | 3RW5227...-C.5 (3x) |
| | 3RW5953-0SL04 | 3RW5234...-C.4 3RW5235...-C.4 (3x) |
| | 3RW5953-0SL05 | 3RW5234...-C.5 3RW5235...-C.5 (3x) |
| | 3RW5953-0SM04 | 3RW5236...-C.4 (3x) |
| | 3RW5953-0SM05 | 3RW5236...-C.5 (3x) |
| 7 | 3RW5953-0GB00 | 3RW522.-..... 3RW523.-..... |
| 8 | 3RW5983-0FF00 | 3RW5226-..... 3RW5227-..... 3RW523.-..... (2x) |

| Position | Assembly | Screw | Tightening torque |
|----------|----------|-------------|-------------------|
| A | 2 - a | 3,5 mm x 19 | 140 Ncm |
| B | b - c | M4 x 12 | 230 Ncm |
| C | b - 6 | M5 x 28 | 350 Ncm |
| C | b - 6 | M6 x 29 | 350 Ncm |
| C | b - 6 | M8 x 30 | 900 Ncm |
| D | a - 7 | 3,5 mm x 19 | 140 Ncm |
| E | d - b | M4 x 8 | 300 Ncm |
| F | c - 6 | M5 x 10 | 350 Ncm |
| F | c - 6 | M6 x 10 | 350 Ncm |
| F | c - 6 | M8 x 12 | 900 Ncm |
| G | 6 - e | M5 x 16 | 350 Ncm |

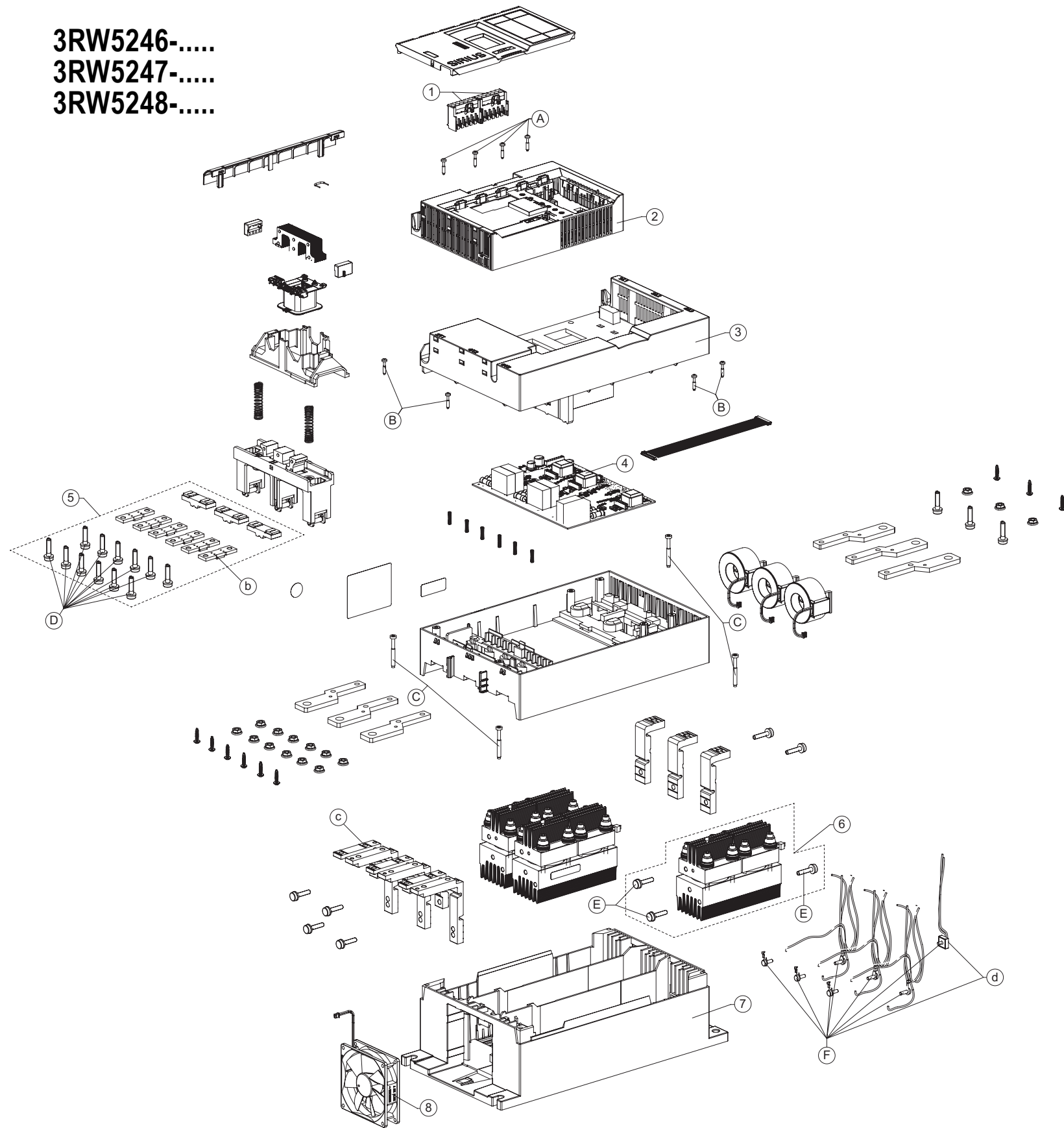
3RW5243-.....
 3RW5244-.....
 3RW5245-.....



| Position | Article Number (Spare Part) | Article Number (Soft Starter) |
|----------|-----------------------------|-------------------------------|
| 1 | 3RW5980-1TR00 | 3RW524-.6.C.. |
| | 3RW5980-2TR00 | 3RW524-.2.C.. |
| 2 | 3RW5920-1UA00 | 3RW52...AC0. |
| | 3RW5920-1UA10 | 3RW52...AC1. |
| | 3RW5920-1UT00 | 3RW52...TC0. |
| | 3RW5920-1UT10 | 3RW52...TC1. |
| 3 | 3RW5954-0GF00 | 3RW524-..... |
| 4 | 3RW5924-0PY04 | 3RW524-...C.4 |
| | 3RW5924-0PY05 | 3RW524-...C.5 |
| 5 | 3RW5954-0BP00 | 3RW5243-..... |
| | | 3RW5244-..... |
| | | 3RW5245-..... |
| 6 | 3RW5924-0SN05 | 3RW5243-..... (3x) |
| | | 3RW5924-0SQ05 |
| 7 | 3RW5954-0GB00 | 3RW524-..... |
| 8 | 3RW5984-0FF00 | 3RW524-..... |

| Position | Assembly | Screw | Tightening torque |
|----------|----------|-------------|-------------------|
| A | 2 - 3 | 3,5 mm x 19 | 140 Ncm |
| B | 3 - a | 3,5 mm x 19 | 140 Ncm |
| C | a - 7 | 5 mm x 40 | 350 Ncm |
| D | b - c | M4 x 9 | 300 Ncm |
| E | c - 6 | M6 x 25 | 1200 Ncm |
| F | d - 6 | M4 x 12 | 220 Ncm |

3RW5246-.....
 3RW5247-.....
 3RW5248-.....



| Position | Article Number (Spare Part) | Article Number (Soft Starter) |
|----------|-----------------------------|--|
| 1 | 3RW5980-1TR00 | 3RW524-6.C.. |
| | 3RW5980-2TR00 | 3RW524-2.C.. |
| 2 | 3RW5920-1UA00 | 3RW52-.-AC0. |
| | 3RW5920-1UA10 | 3RW52-.-AC1. |
| | 3RW5920-1UT00 | 3RW52-.-TC0. |
| | 3RW5920-1UT10 | 3RW52-.-TC1. |
| 3 | 3RW5954-0GF00 | 3RW524-..... |
| 4 | 3RW5924-0PY04 | 3RW524-...C.4 |
| | 3RW5924-0PY05 | 3RW524-...C.5 |
| 5 | 3RW5954-0BT00 | 3RW52446-..... 3RW52447-..... 3RW52448-..... |
| 6 | 3RW5924-0SS05 | 3RW52446-..... 3RW52447-..... (3x) |
| | 3RW5924-0ST05 | 3RW52448-..... (3x) |
| 7 | 3RW5954-0GB00 | 3RW524-..... |
| 8 | 3RW5984-0FF00 | 3RW524-..... |

| Position | Assembly | Screw | Tightening torque |
|----------|----------|-------------|-------------------|
| A | 2 - 3 | 3,5 mm x 19 | 140 Ncm |
| B | 3 - a | 3,5 mm x 19 | 140 Ncm |
| C | a - 7 | 5 mm x 40 | 350 Ncm |
| D | b - c | M4 x 9 | 300 Ncm |
| E | c - 6 | M6 x 25 | 1200 Ncm |
| F | d - 6 | M4 x 12 | 220 Ncm |