

## 8PQ - EBS SENTRON 3VL, 3K, 3NP

8PQ - Assembly kit 3VL, 3K, 3NP

8PQ - Kit de montage SENTRON 3VL, 3K, 3NP

8PQ - Juego de mont. para SENTRON 3VL, 3K, 3NP

8PQ - Kit di mont. SENTRON 3VL, 3K, 3NP

8PQ - Zeslaw montazowy 3VL, 3K, 3NP

8PQ6

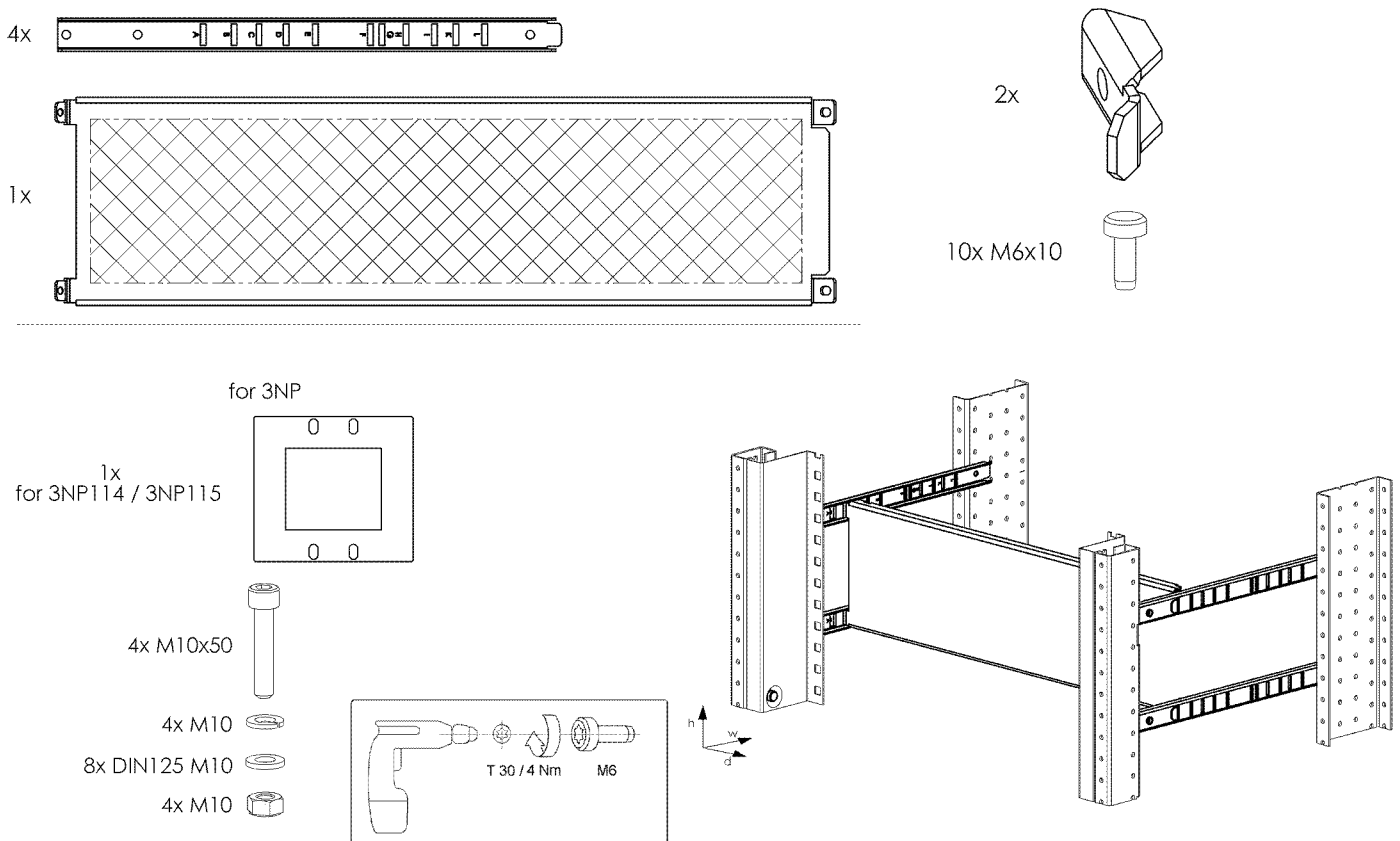
CE

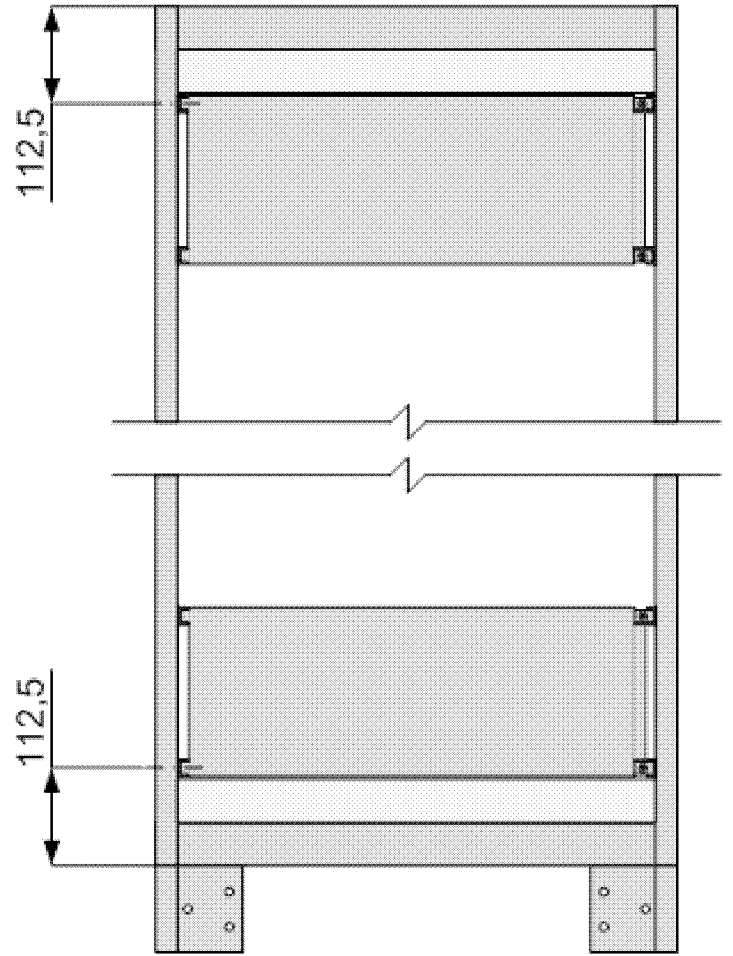
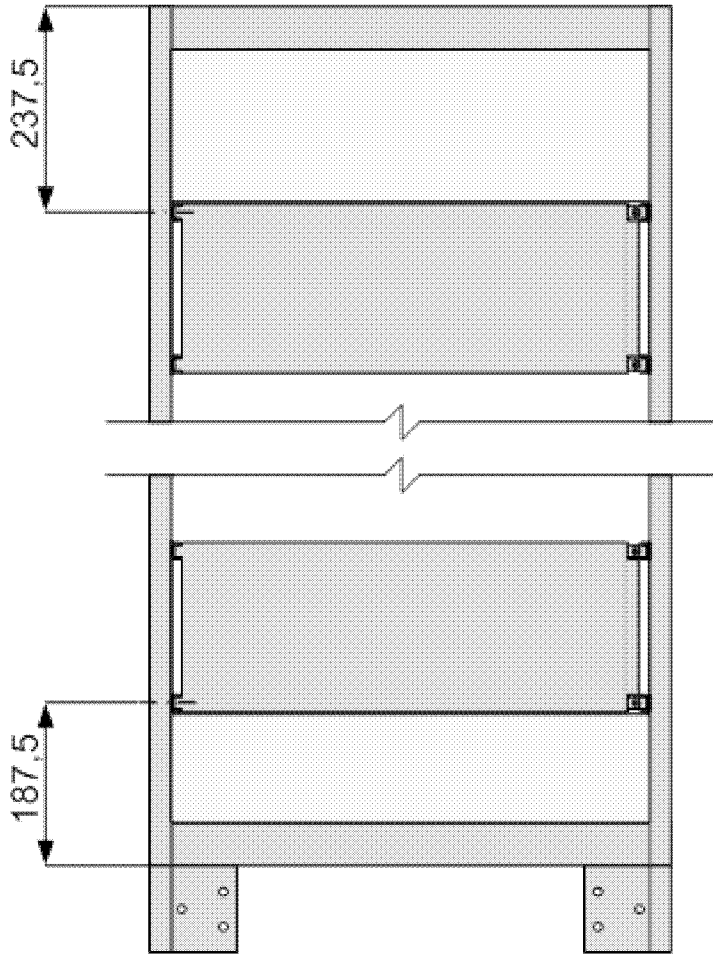
Montageanleitung Instrucciones de montaje	Mounting Instructions Istruzioni di montaggio	Instructions de montage Instruções de montagem	Bestell-Nr./Order No.: 8PQ9800-3AA43
--	--	---	--------------------------------------

Vor der Montage der Teile muss diese Anleitung gelesen und verstanden werden.  
 Read and understand these instructions before mounting the parts.  
 Avant le montage, veuillez lire attentivement les présentes instructions.  
 Antes del montaje de las piezas han de leerse y comprenderse estas instrucciones.  
 Le presenti istruzioni devono essere lette e comprese prima di eseguire il montaggio dei componenti.  
 Leia e compreenda estas instruções antes de montar as peças.

	<b>⚠ GEFAHR</b> Gefahr von Verletzung. Vor Beginn der Arbeiten Arbeitsschutz beachten.	<b>⚠ DANGER</b> Danger of injury. Take all industrial safety measures prior to starting the works.	<b>⚠ DANGER</b> Risque de blessure. Avant de commencer les opérations de montage, veuillez appliquer les consignes de sécurité.
	<b>⚠ PELIGRO</b> Riesgo de lesiones. Respete las protecciones laborales antes de comenzar el trabajo.	<b>⚠ PERICOLO</b> Pericolo di lesioni. Prima di iniziare verificare la sicurezza contro gli infortuni sul lavoro.	<b>⚠ PERIGO</b> Perigo de lesões. Antes de iniciar os trabalhos tenha atenção 'aprotecção contra lesões.

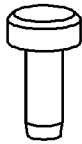
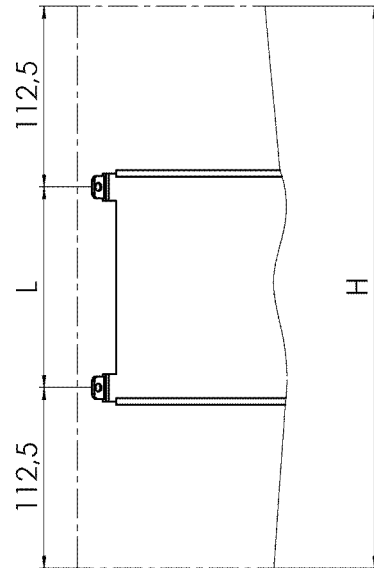
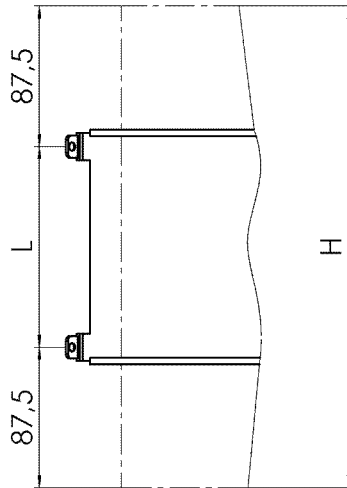
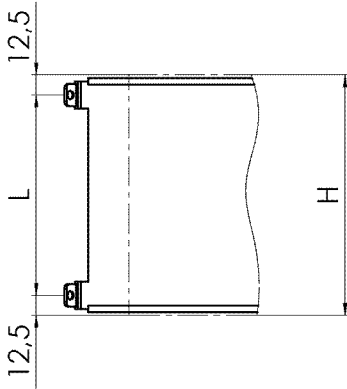
Eine sichere Funktion ist nur mit zertifizierten Komponenten gewährleistet.  
 Reliable functioning of the equipment is only ensured with certified components.  
 Le fonctionnement sûr de l'appareil n'est garanti qu'avec des composants certifiés.  
 El funcionamiento seguro del aparato sólo está garantizado con componentes certificados.  
 Il funzionamento sicuro dell'apparecchiatura viene garantito soltanto con componenti certificati.  
 O funcionamento seguro do aparelho apenas pode ser garantido se forem utilizados os componentes certificados.



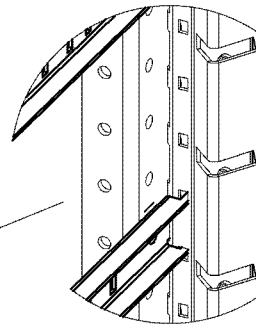


only for  
3VL vertical  
with RCD

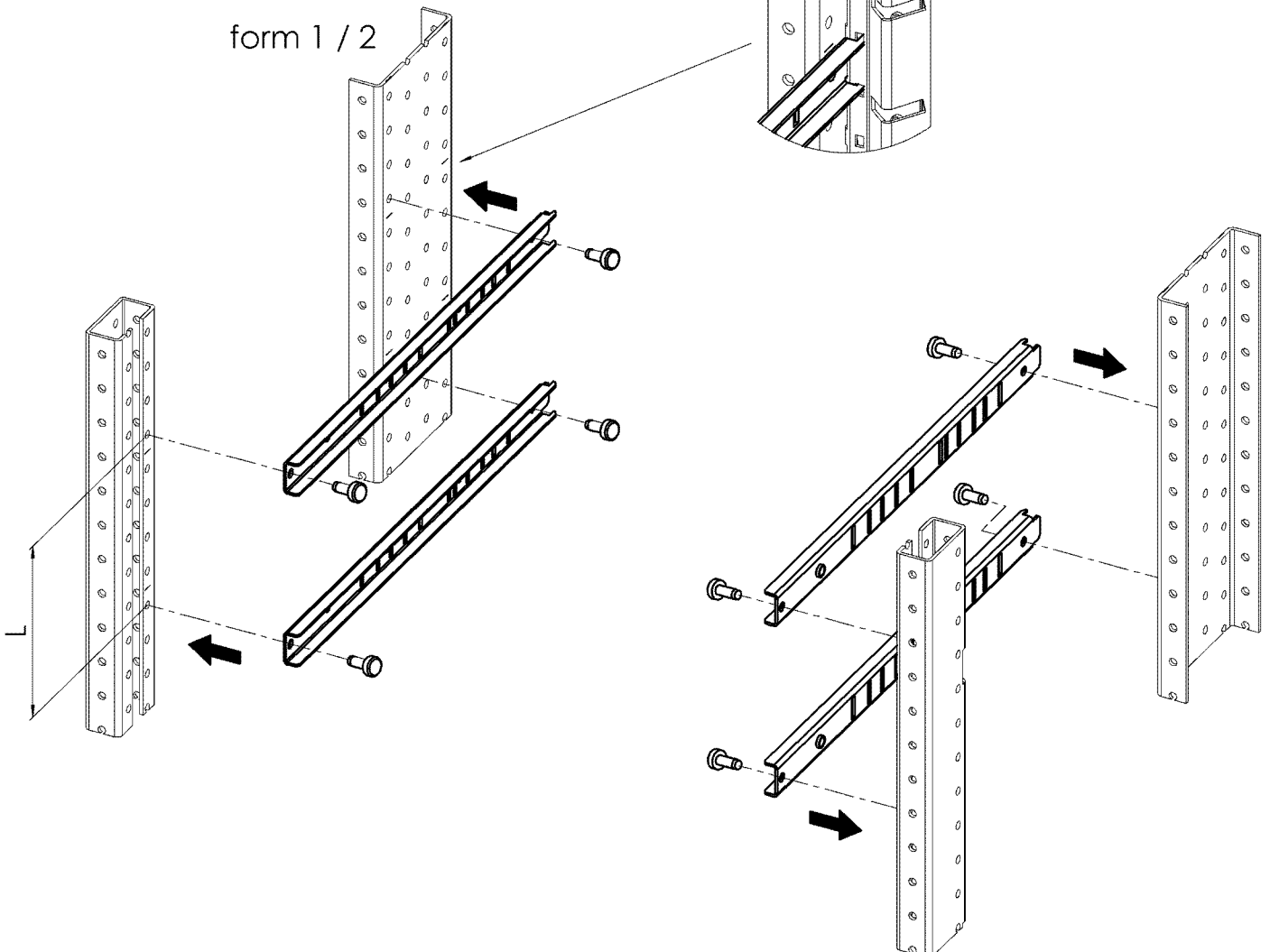
only for  
3VL630 vertical  
door locking rotary+front connection



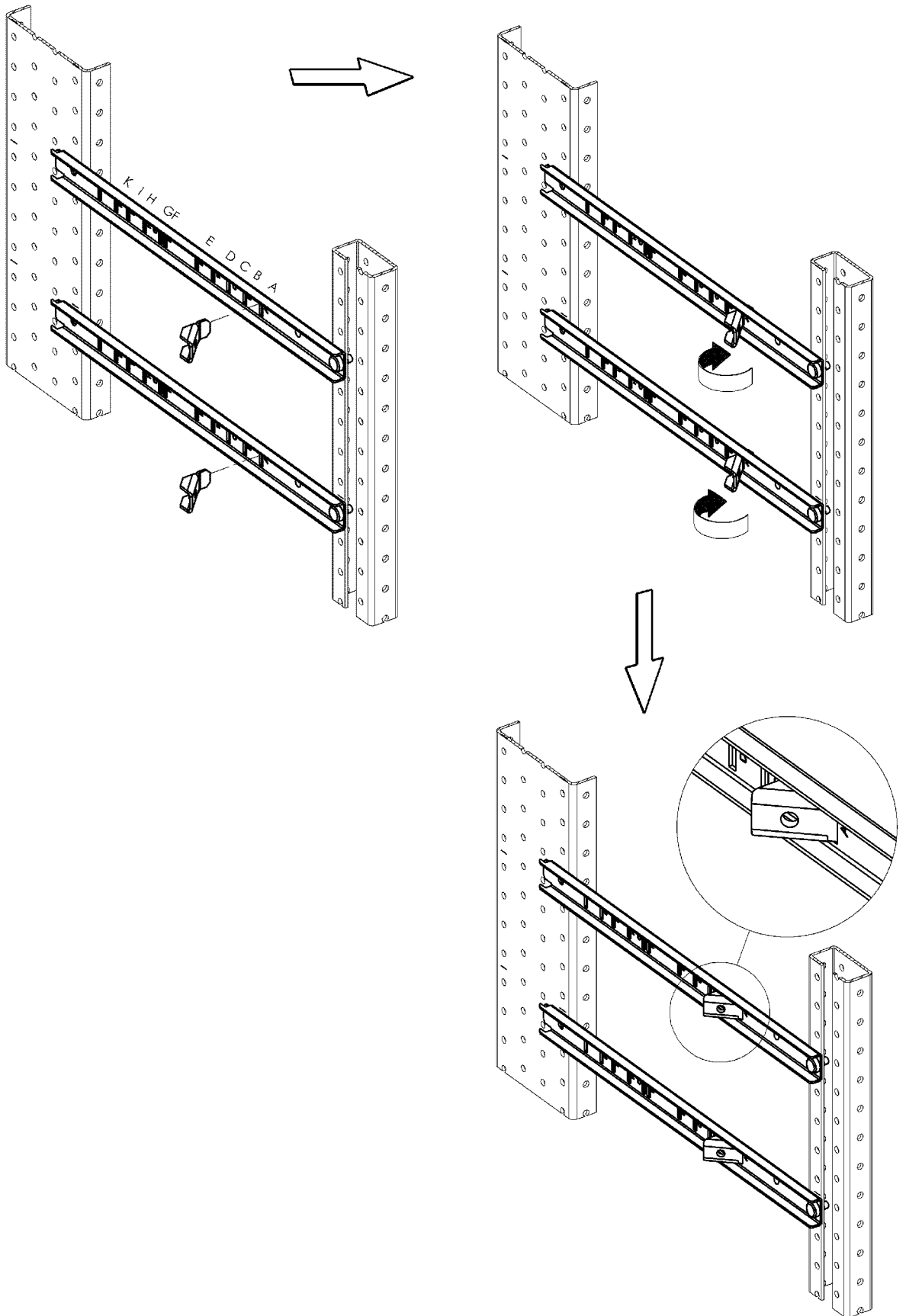
form 3 / 4

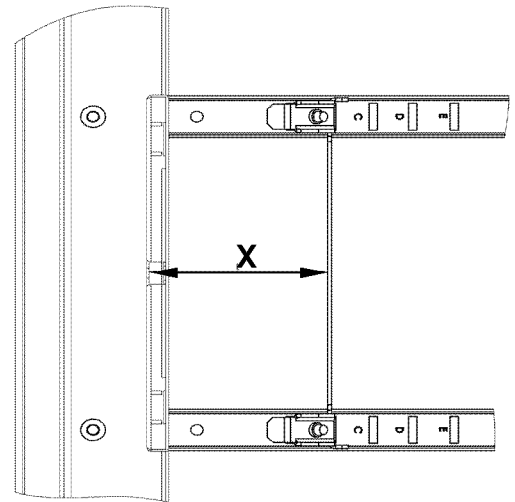
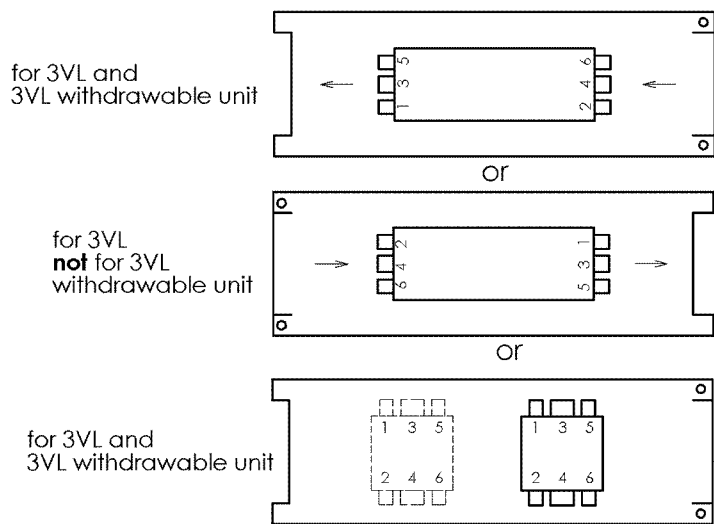


form 1 / 2



2

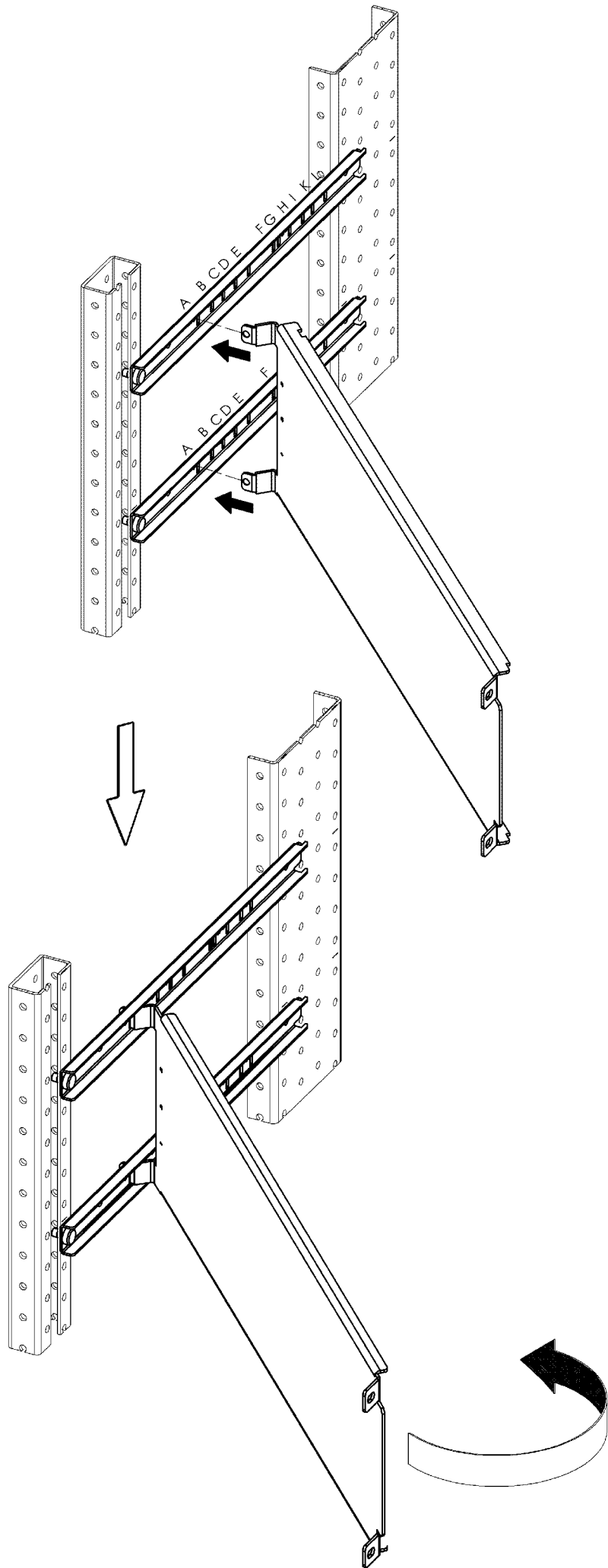




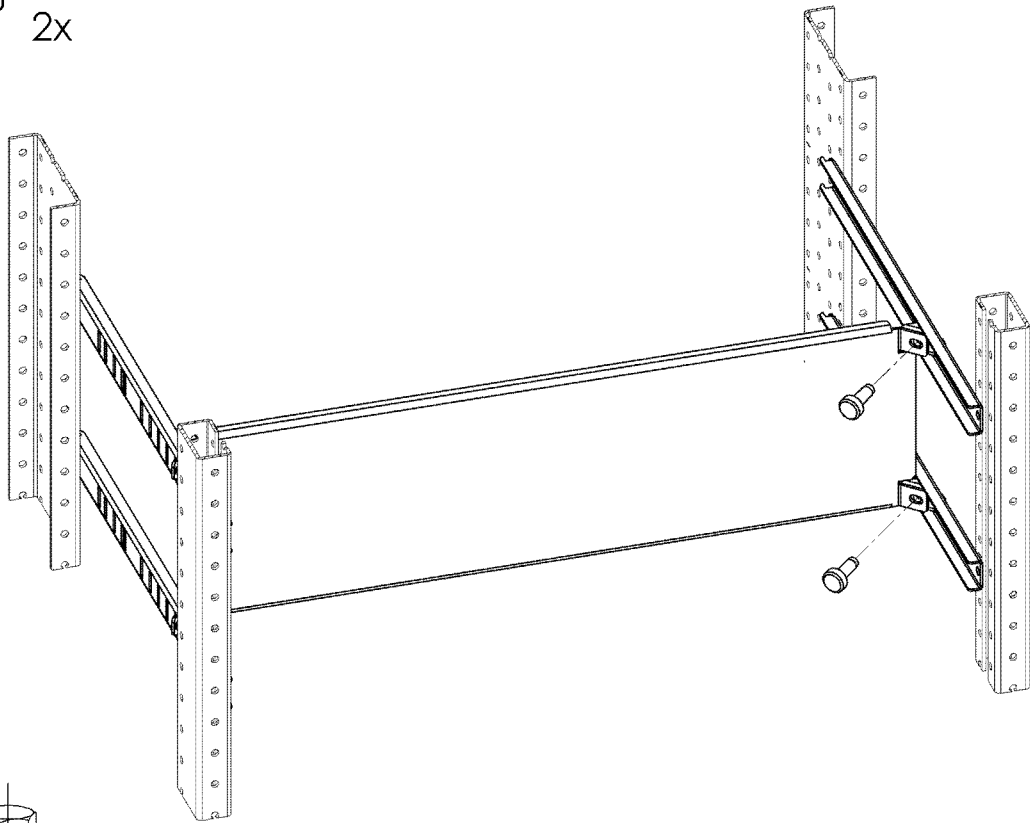
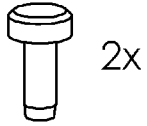
position	device	operating mechanism type	X
A	VL160/250	direct	88,0
B	VL400/630	direct	109,5
C	VL160/250	direct rotary	127,0
D	VL400/630	direct rotary	146,0
E	VL160/250 plug-in socket	direct	166,5
	VL160 - VL630	door locking rotary	
F	VL160/250 plug-in socket	direct rotary	205,0
	VL160/250 withdrawable unit	direct / direct rotary	
G	VL400/630 plug-in socket	direct	213,0
H	VL160 - VL630	motorised	230,0
	VL160/250 plug-in socket	door locking rotary	
I	VL400/630 plug-in socket	direct rotary	250,0
	VL400/630 withdrawable unit	direct / direct rotary	
L	VL160/250 plug-in socket	motorised	285,0
	VL400/630 plug-in socket	door locking rotary	

position	device	X
H	3KA711 / KL711	230,0
	3KA712 / KL712	
	3KA713 / KL713	
I	3KA714 / 3KL714	250,0
	3KL50 / 3KL52	
	3KL57 / 3KL61	
K	KL715 / KA715	265,0
position	device	X
A	3NP1143	88,0
	3NP1153	
	3NP1163	

3

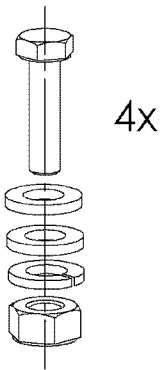


4

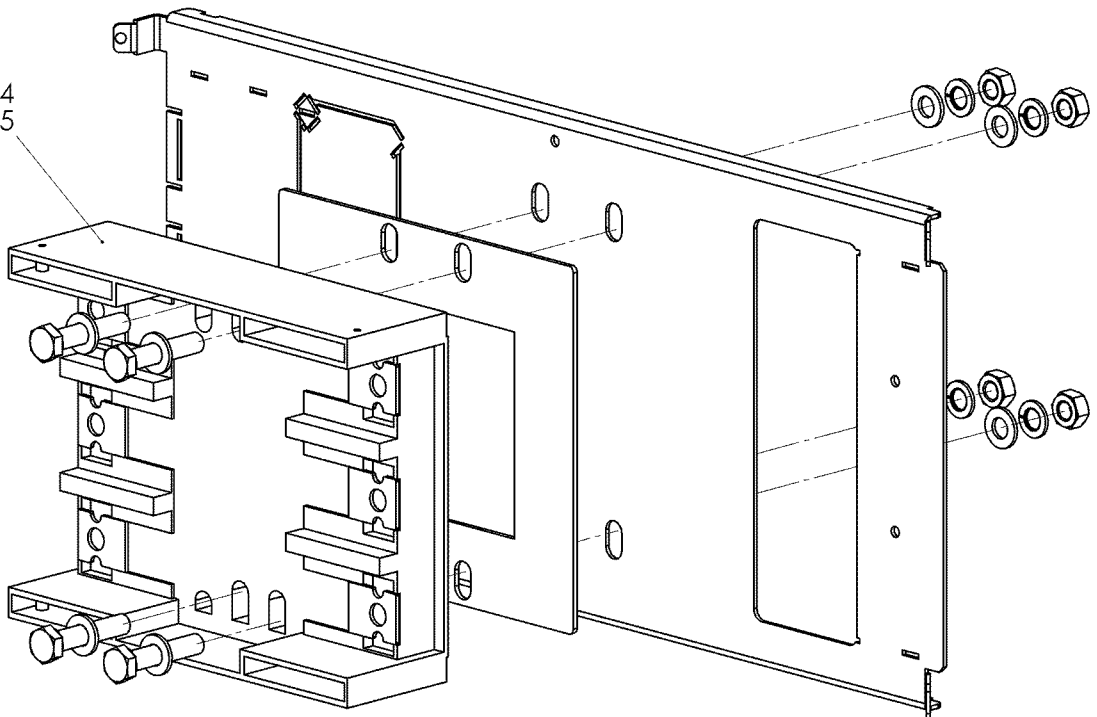


5

for 3NP

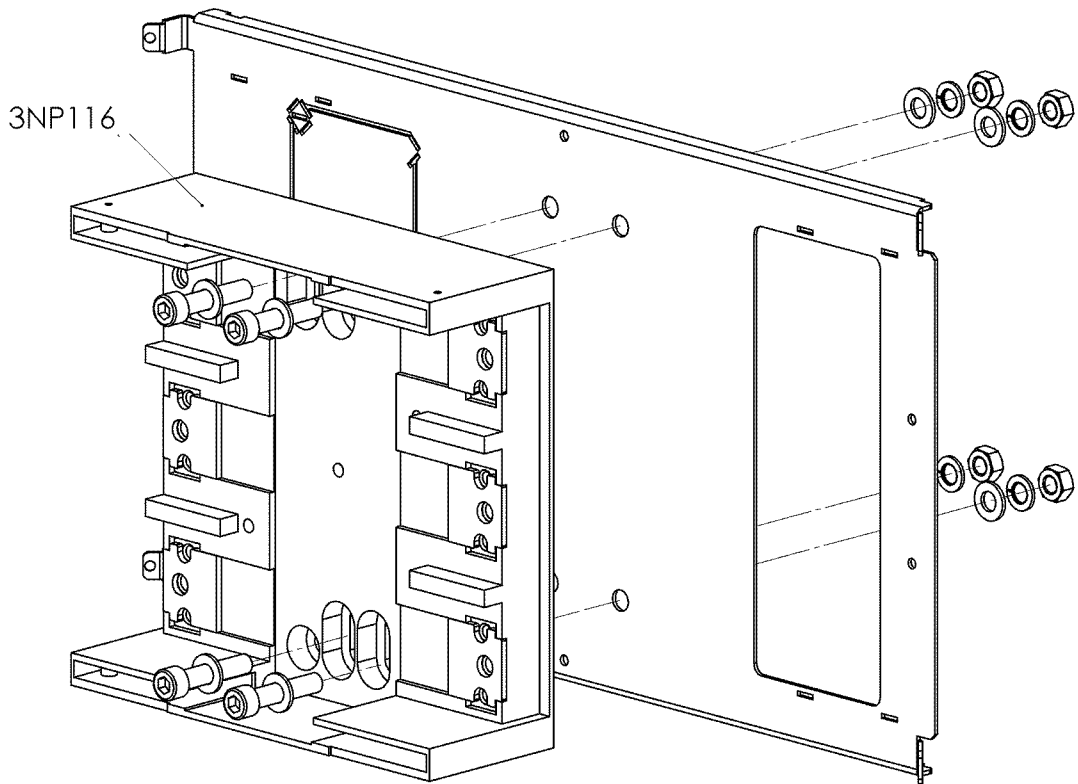
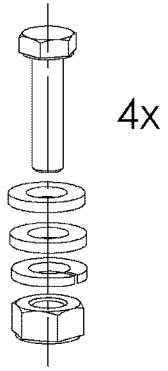


3NP114  
3NP115



**5**

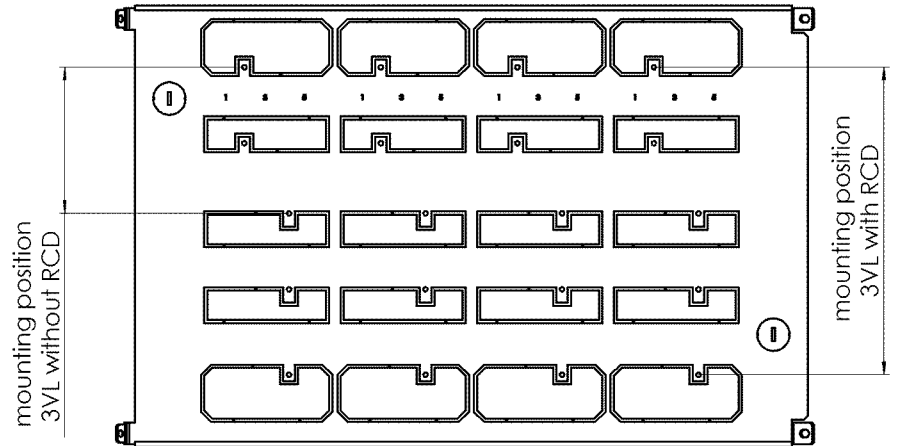
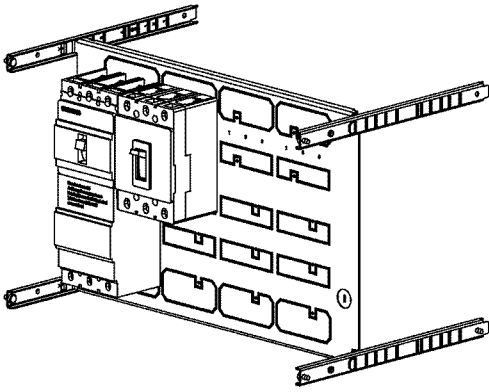
for 3NP



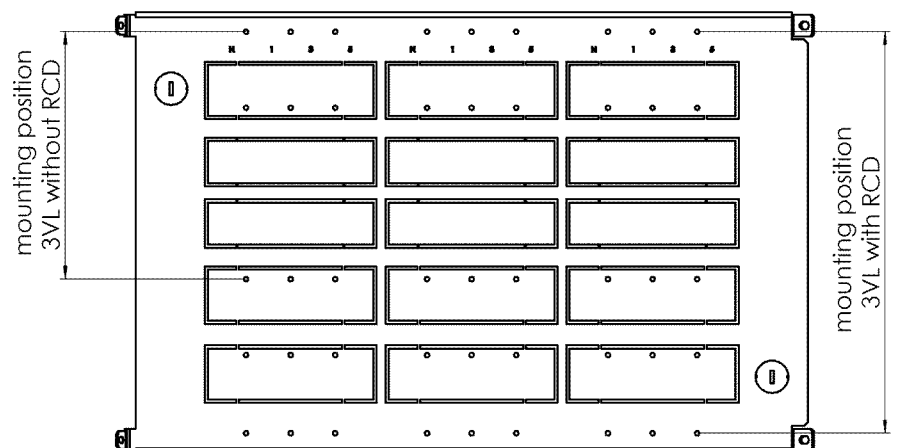
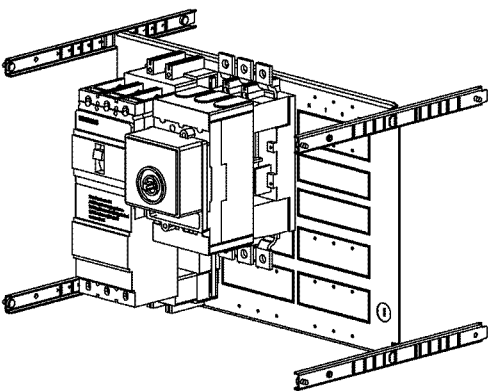




## 3VL fixed mounting vertical with RCD

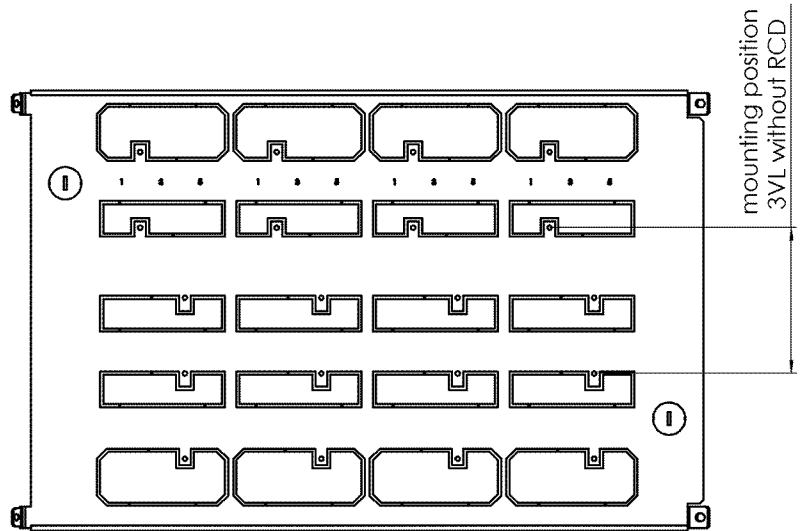
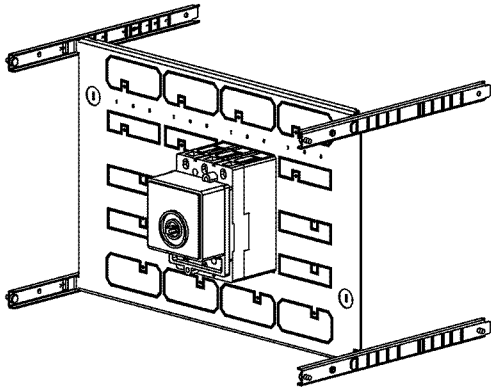


## 3VL plug-in socket vertical with RCD

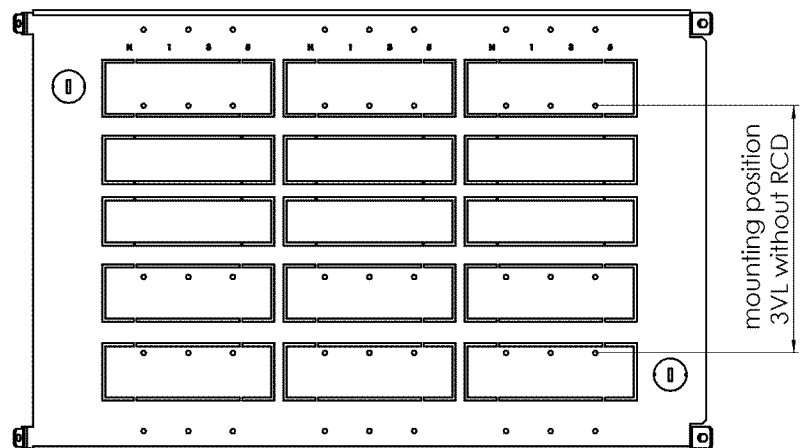
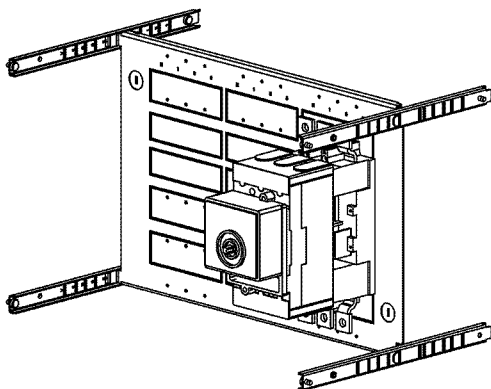




## 3VL fixed mounting vertical without RCD



## 3VL plug-in socket vertical without RCD



Technical Assistance: Telephone: +49 (0) 911-895-5900 (8<sup>00</sup> - 17<sup>00</sup> CET)

Fax: +49 (0) 911-895-5907

E-mail: [technical-assistance@siemens.com](mailto:technical-assistance@siemens.com)

Internet: [www.siemens.de/lowvoltage/technical-assistance](http://www.siemens.de/lowvoltage/technical-assistance)

Technical Support: Telephone: +49 (0) 180 50 50 222

Technische Änderungen vorbehalten. Zum späteren Gebrauch aufbewahren.  
Subject to change without prior notice. Store for use at a later date.  
© Siemens AG 2012

Bestell-Nr./Order No.: 8PQ9800-3AA43  
Printed in the Federal Republic of Germany