

switch disconnecter 3VT2 4-pole; switch disconnecter In=250A rated current without auxiliary release without auxiliary/alarm switch



Model	
Product brand name	SENTRON
Design of the operating mechanism	toggle handle
Type of the driving mechanism / motor drive	No
General technical data	
Type of device	fixed mounting
Size of the circuit-breaker	3VT2
Mechanical service life (switching cycles) / typical	30 000
Degree of pollution	3
Insulation voltage / rated value	690 V
Surge voltage resistance / rated value	8 kV
Operating current / at AC / rated value	250 A
Operating voltage	
• at AC / at 50/60 Hz / rated value	690 V
• at DC / rated value	440 V
Protection class IP	IP40
Protection class IP / on the front	IP40
Power loss [W]	

<ul style="list-style-type: none"> • for rated value of the current / at AC / in hot operating state / per pole 	18 W
Continuous current / rated value	250 A
Operating current / at DC / rated value	250 A
Short-time withstand current (I _{cw}) / limited to 1 s / rated value	2.5 kA
Operating current / rated value	250 A
Number of CO contacts / for auxiliary contacts	0
Number of NC contacts / for auxiliary contacts	0
Number of NO contacts / for auxiliary contacts	0
Suitability for integration / Distribution board	Yes
Suitability for use	
<ul style="list-style-type: none"> • Main switch 	Yes
<ul style="list-style-type: none"> • switch disconnecter 	Yes
<ul style="list-style-type: none"> • EMERGENCY OFF switch 	No
<ul style="list-style-type: none"> • safety switch 	No
<ul style="list-style-type: none"> • maintenance/repair switch 	Yes
Color / of the actuating element	black
Product feature / interlock	No
Product component	
<ul style="list-style-type: none"> • Trip indicator 	No
<ul style="list-style-type: none"> • Voltage trigger 	No
<ul style="list-style-type: none"> • undervoltage release 	No
<ul style="list-style-type: none"> • undervoltage release with leading contact 	No
Product extension / Auxiliary switch	No
Product extension / optional	
<ul style="list-style-type: none"> • motor drive 	Yes
<ul style="list-style-type: none"> • Voltage trigger 	Yes

Short circuit

Short-circuit current making capacity (I _{cm}) / for switch disconnecter	
<ul style="list-style-type: none"> • without fuse link / rated value / minimum 	4 kA
Arrangement of electrical connectors / for main current circuit	front side
Type of electrical connection / for main current circuit	screw-type terminals

Mechanical Design

Depth	105 mm
Mounting type	fixed mounting
Mounting position	with vertical mounting surface +/-180° rotatable, with vertical mounting surface +/- 30° tiltable to the front and back
Ambient temperature / during operation	
<ul style="list-style-type: none"> • minimum 	-40 °C

• maximum	55 °C	
Ambient temperature / during storage / minimum	-40 °C	
Reference code		
• acc. to DIN EN 61346-2	Q	
• acc. to DIN EN 81346-2	Q	
Declaration of Con- formity	Test Certificates	other



EG-Konf.

[Type Test
Certificates/Test Report](#)

[Miscellaneous](#)

[Manufacturer Declara-
tion](#)

Further information

Information- and Downloadcenter (Catalogs, Brochures,...)

<http://www.siemens.com/lowvoltage/catalogs>

Industry Mall (Online ordering system)

<https://mall.industry.siemens.com/mall/en/en/Catalog/product?mlfb=3VT2725-2EE46-0AA0>

Service&Support (Manuals, Certificates, Characteristics, FAQs,...)

<https://support.industry.siemens.com/cs/ww/en/ps/3VT2725-2EE46-0AA0>

Image database (product images, 2D dimension drawings, 3D models, device circuit diagrams, ...)

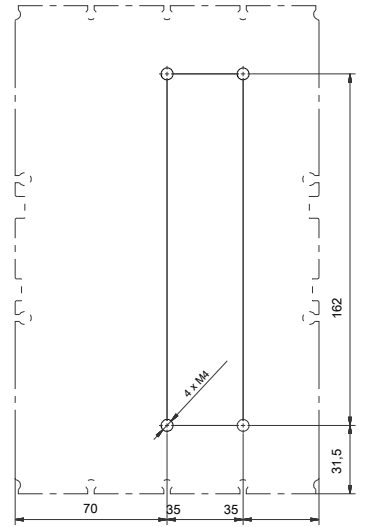
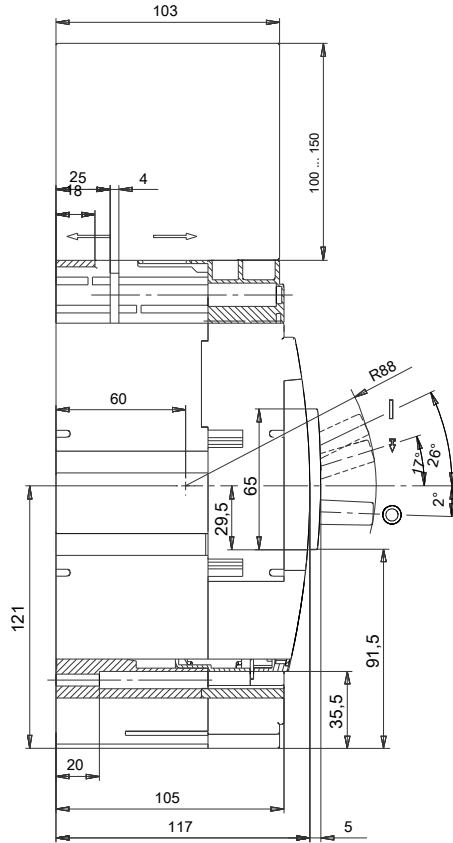
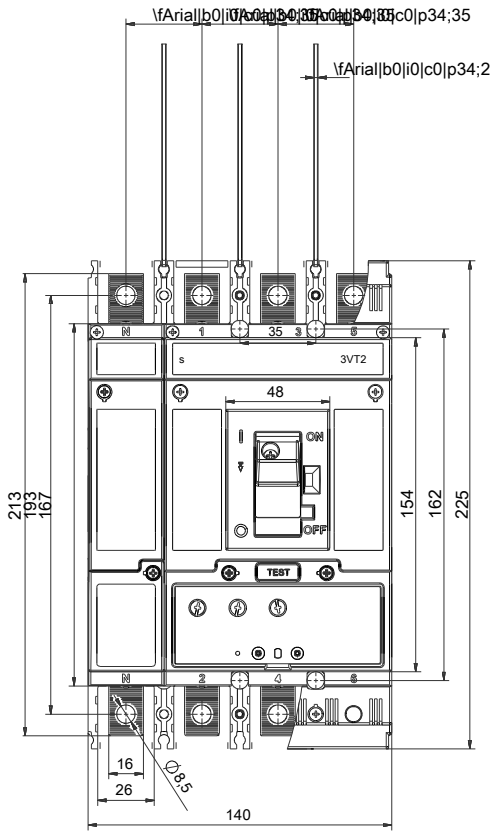
http://www.automation.siemens.com/bilddb/cax_en.aspx?mlfb=3VT2725-2EE46-0AA0

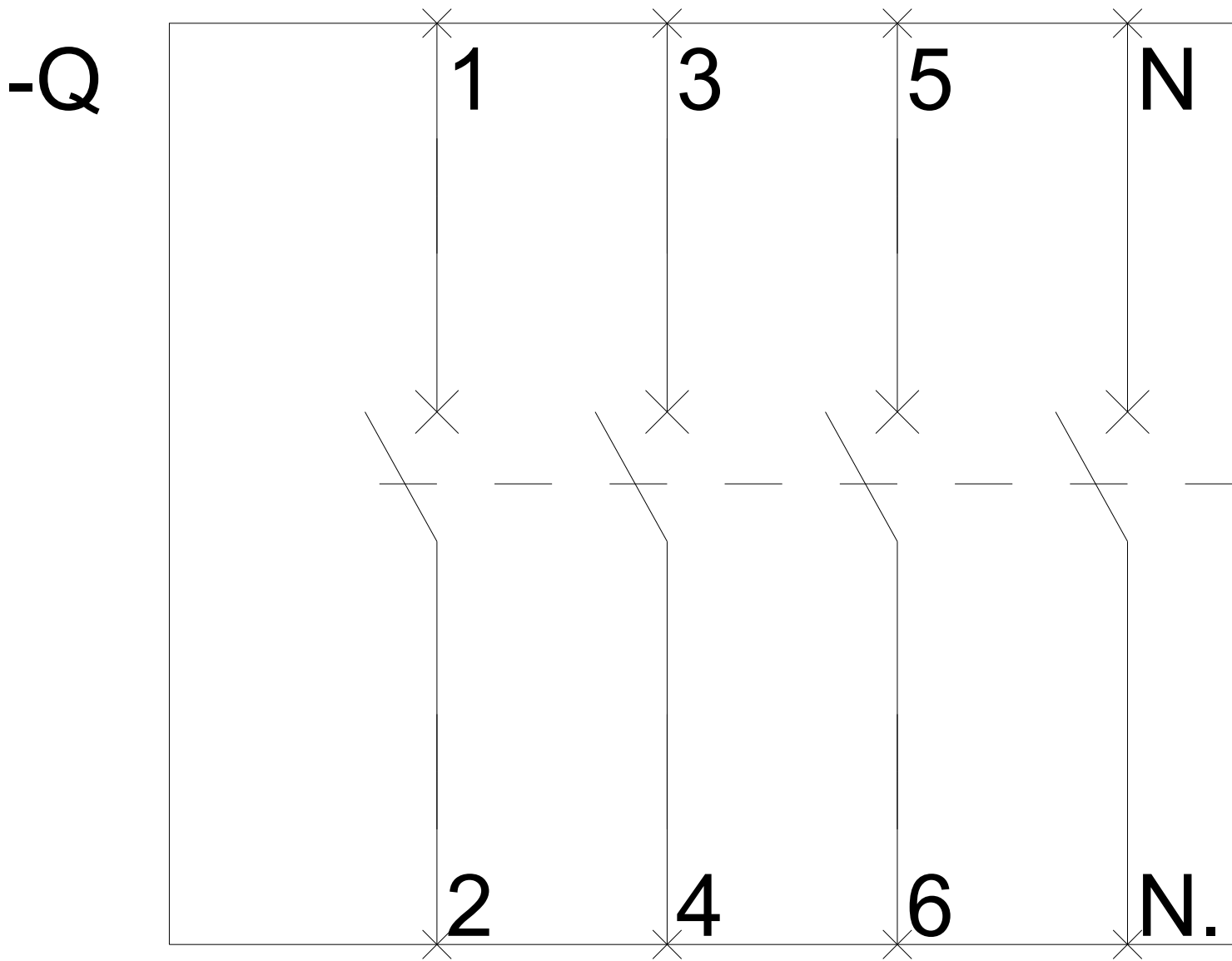
CAX-Online-Generator

<http://www.siemens.com/cax>

Tender specifications

<http://www.siemens.com/specifications>





-Q

