

Reversing contactor assembly AC-3, 11 kW/400 V, 230 V AC, 50/60Hz  
 3-pole, Size S0 screw terminal electrical and mechanical Interlock 2  
 NO integrated Multi-unit packaging 10 units



<b>Product brand name</b>	SIRIUS
<b>Product designation</b>	Reversing contactor assembly
<b>Product type designation</b>	3RA23
<b>Manufacturer's article number</b>	<ul style="list-style-type: none"> <li>• 1 of the supplied contactor <a href="#">3RT2026-1AL20</a></li> <li>• 2 of the supplied contactor <a href="#">3RT2026-1AL20</a></li> <li>• of the supplied RH assembly kit <a href="#">3RA2923-2AA1</a></li> </ul>

General technical data	
<b>Size of contactor</b>	S0
<b>Product extension</b>	Yes
<ul style="list-style-type: none"> <li>• Auxiliary switch</li> </ul>	
<b>Insulation voltage</b>	690 V
<ul style="list-style-type: none"> <li>• with degree of pollution 3 rated value</li> </ul>	
<b>Degree of pollution</b>	3
<b>Surge voltage resistance rated value</b>	6 kV
<b>Protection class IP</b>	IP20
<ul style="list-style-type: none"> <li>• on the front</li> </ul>	
<b>Shock resistance</b>	12.5g / 5 ms and 7.8g / 10 ms
<b>Shock resistance at rectangular impulse</b>	

<ul style="list-style-type: none"> <li>• at AC</li> <li>• at DC</li> </ul>	8,3g / 5 ms, 5,3g / 10 ms 10g / 5 ms, 7,5g / 10 ms
<b>Shock resistance with sine pulse</b> <ul style="list-style-type: none"> <li>• at AC</li> <li>• at DC</li> </ul>	13,5g / 5 ms, 8,3g / 10 ms 15g / 5 ms, 10g / 10 ms
<b>Mechanical service life (switching cycles)</b> <ul style="list-style-type: none"> <li>• of contactor typical</li> <li>• of the contactor with added auxiliary switch block typical</li> </ul>	10 000 000 10 000 000
<b>Reference code acc. to DIN EN 81346-2</b>	Q

### Ambient conditions

<b>Installation altitude at height above sea level</b> <ul style="list-style-type: none"> <li>• maximum</li> </ul>	2 000 m
<b>Ambient temperature</b> <ul style="list-style-type: none"> <li>• during operation</li> <li>• during storage</li> </ul>	-25 ... +60 °C -55 ... +80 °C

### Main circuit

<b>Number of poles for main current circuit</b>	3
<b>Number of NO contacts for main contacts</b>	3
<b>Number of NC contacts for main contacts</b>	0
<b>Operating voltage</b> <ul style="list-style-type: none"> <li>• at AC-3 rated value maximum</li> </ul>	690 V
<b>Operating current</b> <ul style="list-style-type: none"> <li>• at AC-1 at 400 V               <ul style="list-style-type: none"> <li>— at ambient temperature 40 °C rated value</li> <li>— at ambient temperature 60 °C rated value</li> </ul> </li> <li>• at AC-2 at 400 V rated value</li> <li>• at AC-3               <ul style="list-style-type: none"> <li>— at 400 V rated value</li> </ul> </li> </ul>	40 A 35 A 25 A 25 A
<b>Operating current</b> <ul style="list-style-type: none"> <li>• at 1 current path at DC-1               <ul style="list-style-type: none"> <li>— at 24 V rated value</li> <li>— at 110 V rated value</li> </ul> </li> <li>• with 2 current paths in series at DC-1               <ul style="list-style-type: none"> <li>— at 24 V rated value</li> <li>— at 110 V rated value</li> </ul> </li> <li>• with 3 current paths in series at DC-1               <ul style="list-style-type: none"> <li>— at 24 V rated value</li> <li>— at 110 V rated value</li> </ul> </li> </ul>	35 A 4.5 A 35 A 35 A 35 A 35 A
<b>Operating current</b> <ul style="list-style-type: none"> <li>• at 1 current path at DC-3 at DC-5</li> </ul>	

— at 24 V rated value	20 A
— at 110 V rated value	2.5 A
• with 2 current paths in series at DC-3 at DC-5	
— at 24 V rated value	35 A
— at 110 V rated value	15 A
• with 3 current paths in series at DC-3 at DC-5	
— at 24 V rated value	35 A
— at 110 V rated value	35 A
<b>Operating power</b>	
• at AC-2 at 400 V rated value	11 kW
• at AC-3	
— at 400 V rated value	11 kW
— at 500 V rated value	11 kW
— at 690 V rated value	11 kW
• at AC-4 at 400 V rated value	7.5 kW
<b>No-load switching frequency</b>	1 500 1/h
<b>Operating frequency</b>	
• at AC-1 maximum	1 000 1/h
• at AC-2 maximum	1 000 1/h
• at AC-3 maximum	1 000 1/h
• at AC-4 maximum	300 1/h

<b>Control circuit/ Control</b>	
<b>Type of voltage of the control supply voltage</b>	AC
<b>Control supply voltage 1 at AC</b>	
• at 50 Hz rated value	230 V
• at 60 Hz rated value	230 V
<b>Operating range factor control supply voltage rated value of magnet coil at AC</b>	
• at 50 Hz	0.8 ... 1.1
• at 60 Hz	0.8 ... 1.1
<b>Apparent pick-up power of magnet coil at AC</b>	
• at 50 Hz	77 V·A
<b>Inductive power factor with closing power of the coil</b>	
• at 50 Hz	0.82
<b>Apparent holding power of magnet coil at AC</b>	
• at 50 Hz	9.8 V·A
<b>Inductive power factor with the holding power of the coil</b>	
• at 50 Hz	0.27

<b>Auxiliary circuit</b>	
<b>Number of NO contacts for auxiliary contacts</b>	

<ul style="list-style-type: none"> <li>• per direction of rotation</li> </ul>	1
<ul style="list-style-type: none"> <li>• instantaneous contact</li> </ul>	2
<b>Operating current of auxiliary contacts at AC-12 maximum</b>	10 A
<b>Operating current of auxiliary contacts at AC-15</b>	
<ul style="list-style-type: none"> <li>• at 230 V</li> </ul>	6 A
<ul style="list-style-type: none"> <li>• at 400 V</li> </ul>	3 A
<b>Operating current of auxiliary contacts at DC-13</b>	
<ul style="list-style-type: none"> <li>• at 24 V</li> </ul>	10 A
<ul style="list-style-type: none"> <li>• at 60 V</li> </ul>	2 A
<ul style="list-style-type: none"> <li>• at 110 V</li> </ul>	1 A
<ul style="list-style-type: none"> <li>• at 220 V</li> </ul>	0.3 A
<b>Contact reliability of auxiliary contacts</b>	< 1 error per 100 million operating cycles

### UL/CSA ratings

<b>Full-load current (FLA) for three-phase AC motor</b>	
<ul style="list-style-type: none"> <li>• at 480 V rated value</li> </ul>	21 A
<ul style="list-style-type: none"> <li>• at 600 V rated value</li> </ul>	22 A
<b>Yielded mechanical performance [hp]</b>	
<ul style="list-style-type: none"> <li>• for single-phase AC motor <ul style="list-style-type: none"> <li>— at 110/120 V rated value</li> <li>— at 230 V rated value</li> </ul> </li> <li>• for three-phase AC motor <ul style="list-style-type: none"> <li>— at 220/230 V rated value</li> <li>— at 460/480 V rated value</li> <li>— at 575/600 V rated value</li> </ul> </li> </ul>	2 hp 3 hp 7.5 hp 15 hp 20 hp
<b>Contact rating of auxiliary contacts according to UL</b>	A600 / Q600

### Short-circuit protection

<b>Design of the fuse link</b>	
<ul style="list-style-type: none"> <li>• for short-circuit protection of the main circuit <ul style="list-style-type: none"> <li>— with type of coordination 1 required</li> <li>— with type of assignment 2 required</li> </ul> </li> <li>• for short-circuit protection of the auxiliary switch required</li> </ul>	gG NH 3NA, DIAZED 5SB, NEOZED 5SE: 100 A gG NH 3NA, DIAZED 5SB, NEOZED 5SE: 35 A fuse gG: 10 A

### Installation/ mounting/ dimensions

<b>Mounting position</b>	+/-180° rotation possible on vertical mounting surface; can be tilted forward and backward by +/- 22.5° on vertical mounting surface
<b>Mounting type</b>	screw and snap-on mounting onto 35 mm standard mounting rail
<b>Height</b>	101 mm
<b>Width</b>	90 mm
<b>Depth</b>	97 mm

Required spacing	
<ul style="list-style-type: none"> <li>• with side-by-side mounting <ul style="list-style-type: none"> <li>— forwards</li> <li>— Backwards</li> <li>— upwards</li> <li>— downwards</li> <li>— at the side</li> </ul> </li> <li>• for grounded parts <ul style="list-style-type: none"> <li>— forwards</li> <li>— Backwards</li> <li>— upwards</li> <li>— at the side</li> <li>— downwards</li> </ul> </li> <li>• for live parts <ul style="list-style-type: none"> <li>— forwards</li> <li>— Backwards</li> <li>— upwards</li> <li>— downwards</li> <li>— at the side</li> </ul> </li> </ul>	<ul style="list-style-type: none"> <li>6 mm</li> <li>0 mm</li> <li>6 mm</li> <li>6 mm</li> <li>6 mm</li> <li>6 mm</li> <li>0 mm</li> <li>6 mm</li> <li>6 mm</li> <li>6 mm</li> <li>6 mm</li> <li>0 mm</li> <li>6 mm</li> <li>6 mm</li> <li>6 mm</li> </ul>

### Connections/ Terminals

<b>Type of electrical connection</b> <ul style="list-style-type: none"> <li>• for main current circuit</li> <li>• for auxiliary and control current circuit</li> </ul>	<ul style="list-style-type: none"> <li>screw-type terminals</li> <li>screw-type terminals</li> </ul>
<b>Type of connectable conductor cross-sections</b> <ul style="list-style-type: none"> <li>• for main contacts <ul style="list-style-type: none"> <li>— solid</li> <li>— single or multi-stranded</li> <li>— finely stranded with core end processing</li> </ul> </li> <li>• at AWG conductors for main contacts</li> </ul>	<ul style="list-style-type: none"> <li>2x (1 ... 2.5 mm<sup>2</sup>), 2x (2.5 ... 10 mm<sup>2</sup>)</li> <li>2x (1 ... 2,5 mm<sup>2</sup>), 2x (2,5 ... 10 mm<sup>2</sup>)</li> <li>2x (1 ... 2.5 mm<sup>2</sup>), 2x (2.5 ... 6 mm<sup>2</sup>), 1x 10 mm<sup>2</sup></li> <li>2x (16 ... 12), 2x (14 ... 8)</li> </ul>
<b>Type of connectable conductor cross-sections</b> <ul style="list-style-type: none"> <li>• for auxiliary contacts <ul style="list-style-type: none"> <li>— single or multi-stranded</li> <li>— finely stranded with core end processing</li> </ul> </li> <li>• at AWG conductors for auxiliary contacts</li> </ul>	<ul style="list-style-type: none"> <li>2x (0,5 ... 1,5 mm<sup>2</sup>), 2x (0,75 ... 2,5 mm<sup>2</sup>)</li> <li>2x (0.5 ... 1.5 mm<sup>2</sup>), 2x (0.75 ... 2.5 mm<sup>2</sup>)</li> <li>2x (20 ... 16), 2x (18 ... 14)</li> </ul>

### Safety related data

<b>B10 value</b> <ul style="list-style-type: none"> <li>• with high demand rate acc. to SN 31920</li> </ul>	<ul style="list-style-type: none"> <li>1 000 000</li> </ul>
<b>Proportion of dangerous failures</b> <ul style="list-style-type: none"> <li>• with low demand rate acc. to SN 31920</li> <li>• with high demand rate acc. to SN 31920</li> </ul>	<ul style="list-style-type: none"> <li>40 %</li> <li>75 %</li> </ul>
<b>Failure rate [FIT]</b>	

- with low demand rate acc. to SN 31920

100 FIT

**T1 value for proof test interval or service life acc. to IEC 61508**

20 y

### Communication/ Protocol

**Product function Bus communication**

No

**Protocol is supported**

- AS-Interface protocol

No

**Product function Control circuit interface with IO link**

No

### Certificates/ approvals

**General Product Approval**

**Declaration of Conformity**

**Test Certificates**



CSA



UL



EG-Konf.

[Miscellaneous](#)

[Special Test Certificate](#)

### Marine / Shipping



ABS



BUREAU VERITAS



LRS



PRS



RINA



RMRS

**Marine / Shipping**

**other**

**Railway**



DNV-GL

[Confirmation](#)

[Vibration and Shock](#)

### Further information

**Information- and Downloadcenter (Catalogs, Brochures,...)**

[www.siemens.com/sirius/catalogs](http://www.siemens.com/sirius/catalogs)

**Industry Mall (Online ordering system)**

<https://mall.industry.siemens.com/mall/en/en/Catalog/product?mlfb=3RA2326-8XB30-1AL2-Z W96>

**Cax online generator**

<http://support.automation.siemens.com/WW/CAXorder/default.aspx?lang=en&mlfb=3RA2326-8XB30-1AL2-Z W96>

**Service&Support (Manuals, Certificates, Characteristics, FAQs,...)**

<https://support.industry.siemens.com/cs/ww/en/ps/3RA2326-8XB30-1AL2-Z W96>

**Image database (product images, 2D dimension drawings, 3D models, device circuit diagrams, EPLAN macros, ...)**

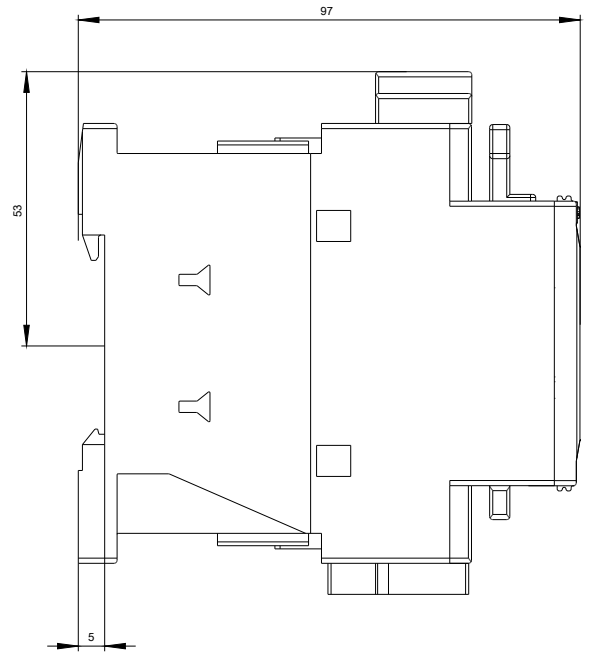
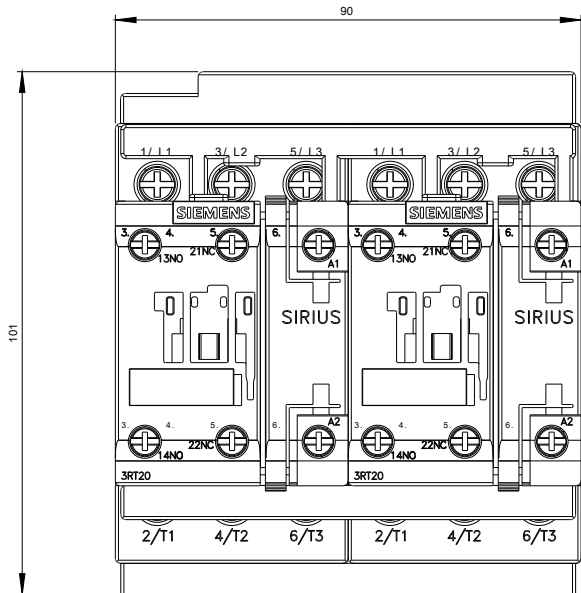
[http://www.automation.siemens.com/bilddb/cax\\_de.aspx?mlfb=3RA2326-8XB30-1AL2-Z W96&lang=en](http://www.automation.siemens.com/bilddb/cax_de.aspx?mlfb=3RA2326-8XB30-1AL2-Z W96&lang=en)

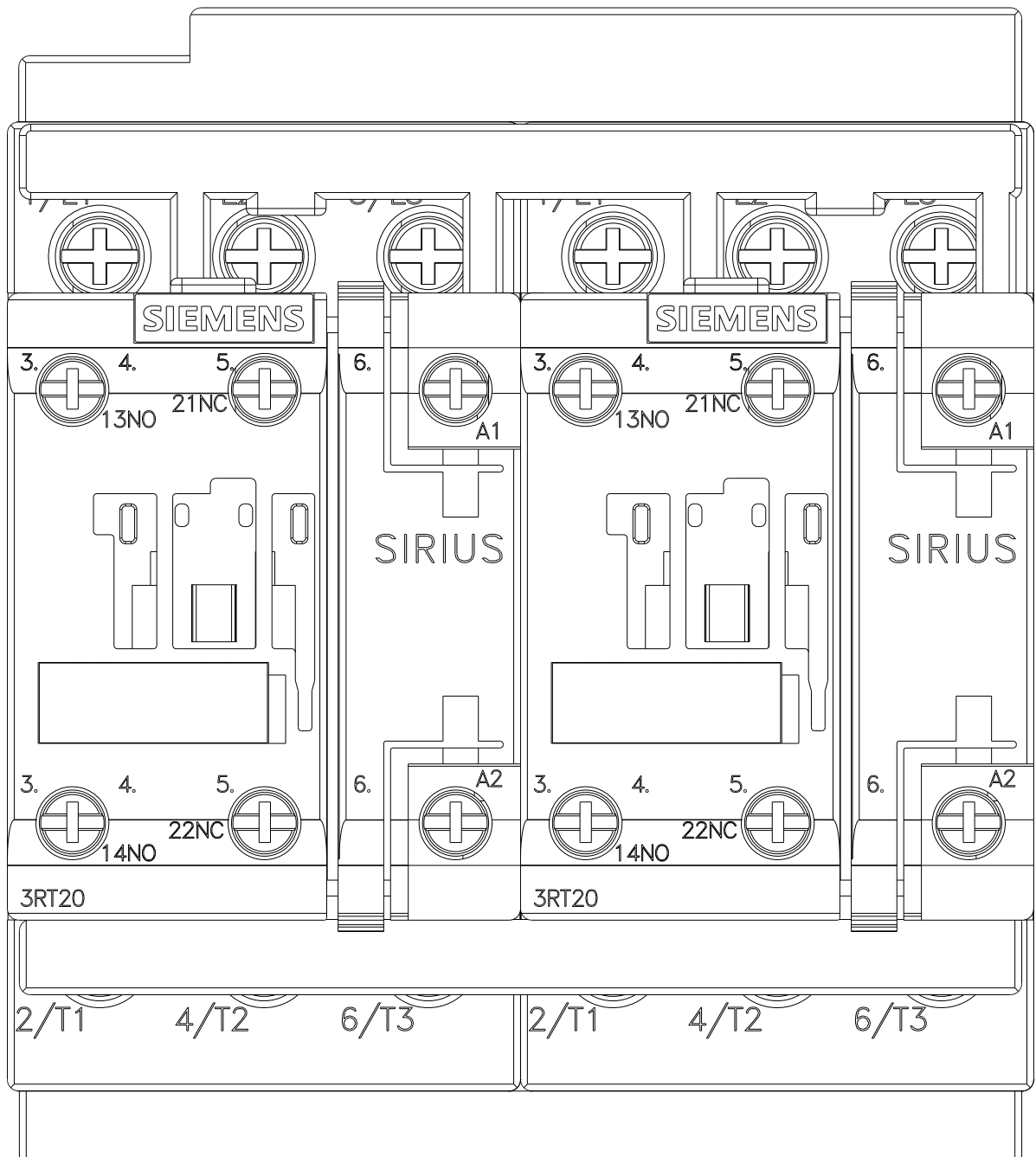
**Characteristic: Tripping characteristics, I<sup>2</sup>t, Let-through current**

<https://support.industry.siemens.com/cs/ww/en/ps/3RA2326-8XB30-1AL2-Z W96/char>

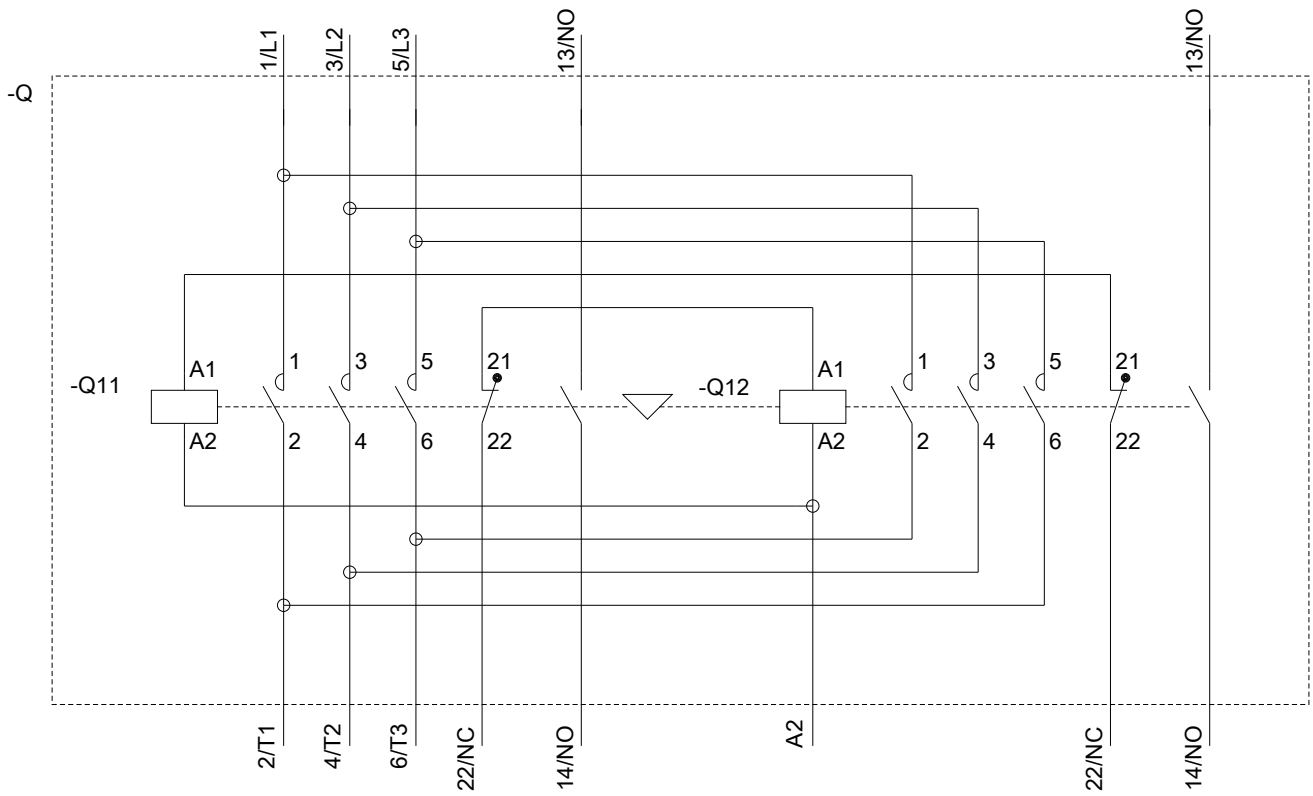
**Further characteristics (e.g. electrical endurance, switching frequency)**

<http://www.automation.siemens.com/bilddb/index.aspx?view=Search&mlfb=3RA2326-8XB30-1AL2-Z W96&objecttype=14&gridview=view1>









last modified:

09/24/2019