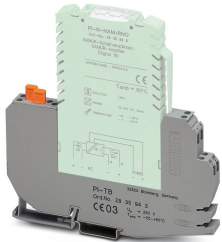


Basic terminal block - PI-TB - 2835943


Please be informed that the data shown in this PDF Document is generated from our Online Catalog. Please find the complete data in the user's documentation. Our General Terms of Use for Downloads are valid (<http://phoenixcontact.com/download>)



Base terminal block for non intrinsically safe signals with knife disconnection and test connections.



Key Commercial Data

Packing unit	1 pc
GTIN	 4 017918 911812
GTIN	4017918911812
Weight per Piece (excluding packing)	95.290 g
Custom tariff number	85369010
Country of origin	Germany

Technical data

Dimensions

Width	12.4 mm
Height	145 mm
Depth	86.5 mm

Ambient conditions

Ambient temperature (operation)	-20 °C ... 60 °C
Ambient temperature (storage/transport)	-40 °C ... 85 °C

General

Nominal voltage U_N	250 V
Nominal current I_N	4 A
Housing insulation material	PBT

Basic terminal block - PI-TB - 2835943

Technical data

General

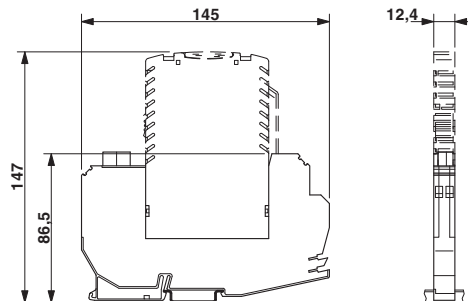
Color	gray
-------	------

Environmental Product Compliance

REACH SVHC	Lead 7439-92-1
China RoHS	Environmentally friendly use period: unlimited = EFUP-e
	No hazardous substances above threshold values

Drawings

Dimensional drawing



Classifications

eCl@ss

eCl@ss 10.0.1	27141152
eCl@ss 11.0	27141152
eCl@ss 4.0	27141100
eCl@ss 4.1	27141100
eCl@ss 5.0	27371600
eCl@ss 5.1	27371600
eCl@ss 6.0	27371600
eCl@ss 7.0	27141152
eCl@ss 9.0	27141152

ETIM

ETIM 4.0	EC002780
ETIM 6.0	EC002780
ETIM 7.0	EC002780

Basic terminal block - PI-TB - 2835943

Classifications

UNSPSC

UNSPSC 6.01	30211811
UNSPSC 7.0901	39121410
UNSPSC 11	39121410
UNSPSC 12.01	39121410
UNSPSC 13.2	39121432
UNSPSC 18.0	39121432
UNSPSC 19.0	39121432
UNSPSC 20.0	39121432
UNSPSC 21.0	39121432

Approvals

Approvals

Approvals

EAC

Ex Approvals

Approval details

EAC		RU*DE.*09.B.00387/20
-----	--	----------------------

Accessories

Accessories

Bridge

Bridging module - PI-N-BRIDGE - 2835875



Bridging module, for bridging input and output circuit

Basic terminal block - PI-TB - 2835943

Accessories

Continuous plug-in bridge - FBST 500-PLC RD - 2966786



Continuous plug-in bridge, length: 500 mm, color: red

Continuous plug-in bridge - FBST 500-PLC BU - 2966692



Continuous plug-in bridge, length: 500 mm, color: blue

Continuous plug-in bridge - FBST 500-PLC GY - 2966838



Continuous plug-in bridge, length: 500 mm, color: gray

Insulating sleeve

Insulating sleeve - MPS-IH RD - 0201676

Insulating sleeve, color: red



Insulating sleeve - MPS-IH BU - 0201689

Insulating sleeve, color: blue



Basic terminal block - PI-TB - 2835943

Accessories

Insulating sleeve - MPS-IH GY - 0201728

Insulating sleeve, color: gray



Labeled terminal marker

Zack marker strip - ZBFM 6/WH,LGS:1-100 - 0800284

Zack marker strip, Sheet, white, labeled, printed horizontally: consecutive numbers from 1 ... 100, mounting type: snap into flat marker groove, for terminal block width: 6.2 mm, lettering field size: 5 x 5.5 mm, Number of individual labels: 100



Flat zack marker sheet - ZBFM 6/WH,LGS:FORTL.ZAHLEN - 0803621

Flat zack marker sheet, Sheet, white, labeled, printed horizontally: consecutive numbers from 1 ... 10, 11 ... 20, etc. up to 91 ... 100, mounting type: snap into flat marker groove, for terminal block width: 6.2 mm, lettering field size: 5 x 5.5 mm, Number of individual labels: 100



Partition plate

Separating plate - PI-ATP - 2835969

Separating plate, 2 mm thick, black, required at the start and end of a PI terminal strip where continuous bridges are used.



Screwdriver tools

Basic terminal block - PI-TB - 2835943

Accessories

Screwdriver - SZG 0,6X3,5 VDE - 1205121



Screwdriver, slot-headed, graded, for test socket screws, size: 0.6 x 3.5 x 100 mm, 2-component grip, with non-slip grip

Terminal marking

Flat zack marker sheet - ZBFM 6/WH:UNBEDRUCKT - 0803618



Flat zack marker sheet, Sheet, white, unlabeled, can be labeled with: CMS-P1-PLOTTER, PLOTMARK, mounting type: snap into flat marker groove, for terminal block width: 6.2 mm, lettering field size: 5 x 5.5 mm, Number of individual labels: 100