

Current transducers - MACX MCR-SL-CAC-12-I-UP - 2810638

Please be informed that the data shown in this PDF Document is generated from our Online Catalog. Please find the complete data in the user's documentation. Our General Terms of Use for Downloads are valid (<http://phoenixcontact.com/download>)




Current measuring transducer for 5 A and 12 A AC, the output signal 0...20 mA or 4...20 mA, can be configured using a DIP switch with an operating mode indication through an LED

Your advantages

- Input/output can be configured via DIP switches



Key Commercial Data

Packing unit	1 pc
GTIN	 4 046356 510356
GTIN	4046356510356
Weight per Piece (excluding packing)	200.000 g
Custom tariff number	85437090
Country of origin	Germany

Technical data

Note

Utilization restriction	EMC: class A product, see manufacturer's declaration in the download area
-------------------------	---

Dimensions

Width	22.5 mm
	22.5 mm
Height	104 mm
	104 mm
Depth	114.5 mm

Current transducers - MACX MCR-SL-CAC-12-I-UP - 2810638

Technical data

Dimensions

	114.5 mm
--	----------

Ambient conditions

Ambient temperature (operation)	-20 °C ... 65 °C (-4 °F ... 149 °F)
Ambient temperature (storage/transport)	-40 °C ... 85 °C (-40 °F ... 185 °F)
Degree of protection	IP20
Noise immunity	EN 61000-6-2 When being exposed to interference, there may be minimal deviations.

Input data

Configurable/programmable	Via DIP switches
Input current range	0 A ... 12 A
Setting range for min. input current	0 A AC ... 5 A (configurable)
Setting range for max. input current	0 A AC ... 12 A (configurable)
Overload capacity	1 x I _N (continuous)
Surge strength	8 x I _N (1 s)
Nominal frequency f _N	50 Hz
Frequency measuring range	45 Hz ... 65 Hz
Connection method	Screw terminal block

Output data

Output name	Current output
Configurable/programmable	Via DIP switches
Current output signal	0 mA ... 20 mA (configurable) 4 mA ... 20 mA (configurable)
Max. output current	25 mA
Load/output load current output	< 500 Ω (20 mA)
Ripple	< 10 mV _{PP} (for 500 Ω at 20 mA)
Status display	LED red (error), LED green (ready)

Switching output

Output name	No switching output
-------------	---------------------

Power supply

Supply voltage range	19.2 V AC/DC ... 253 V AC/DC
Max. current consumption	< 33 mA (at 24 V DC) < 15 mA (for 230 V AC)
Power consumption	< 0.8 W (at 24 V DC) < 3.5 VA (for 230 V AC)

Connection data

Current transducers - MACX MCR-SL-CAC-12-I-UP - 2810638

Technical data

Connection data

Connection method	Screw connection
Stripping length	8 mm
Screw thread	M3
Conductor cross section solid	0.2 mm ² ... 2.5 mm ²
Conductor cross section flexible	0.2 mm ² ... 2.5 mm ²
Conductor cross section AWG	24 ... 14

General

Maximum transmission error	≤ 0.5 % (of nominal range value under nominal conditions)
Maximum temperature coefficient	< 0.02 %/K
Temperature coefficient, typical	< 0.015 %/K
Step response (10-90%)	< 300 ms
Degree of pollution	2
Rated insulation voltage	300 V AC (to earth)
Test voltage input/output	4 kV (50 Hz, 1 min.)
Test voltage output/power supply	2 kV (50 Hz, 1 min.)
Electromagnetic compatibility	Conformance with EMC directive
Noise emission	EN 61000-6-4
Noise immunity	EN 61000-6-2 When being exposed to interference, there may be minimal deviations.
Color	gray
Housing material	Polyamide PA non-reinforced
Mounting position	any

Standards and Regulations

Electromagnetic compatibility	Conformance with EMC directive
Noise emission	EN 61000-6-4
Conformance	CE-compliant
ATEX	# II 3 G Ex nA IIC T4 Gc X

Conformance/approvals

Designation	CE
Identification	CE-compliant
Designation	ATEX
Identification	# II 3 G Ex nA IIC T4 Gc X

Environmental Product Compliance

REACH SVHC	N,N-dimethylacetamide 127-19-5
	Lead 7439-92-1
China RoHS	Environmentally Friendly Use Period = 50 years

Current transducers - MACX MCR-SL-CAC-12-I-UP - 2810638

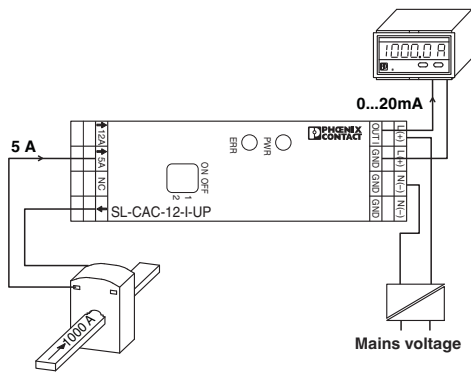
Technical data

Environmental Product Compliance

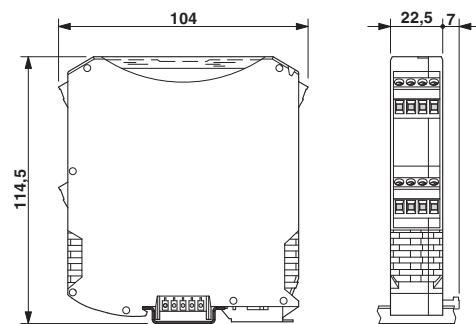
For details about hazardous substances go to tab "Downloads", Category "Manufacturer's declaration"

Drawings

Application drawing

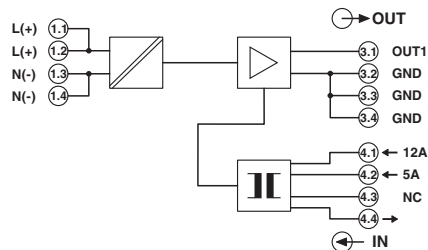


Dimensional drawing



Current measurement

Circuit diagram



Classifications

eCl@ss

eCl@ss 10.0.1	27210123
eCl@ss 11.0	27210123
eCl@ss 4.0	27271100
eCl@ss 4.1	27200300
eCl@ss 5.0	27200300
eCl@ss 5.1	27200300
eCl@ss 6.0	27210100
eCl@ss 7.0	27210123

Current transducers - MACX MCR-SL-CAC-12-I-UP - 2810638

Classifications

eCl@ss

eCl@ss 9.0	27210123
------------	----------

ETIM

ETIM 3.0	EC002475
ETIM 4.0	EC002475
ETIM 6.0	EC002475
ETIM 7.0	EC002475

UNSPSC

UNSPSC 6.01	30211501
UNSPSC 7.0901	39121019
UNSPSC 11	39121006
UNSPSC 12.01	39121006
UNSPSC 13.2	39121032
UNSPSC 18.0	39121032
UNSPSC 19.0	39121032
UNSPSC 20.0	39121032
UNSPSC 21.0	39121032

Accessories

Accessories

DIN rail connector

DIN rail bus connectors - ME 22,5 TBUS 1,5/ 5-ST-3,81 GY - 2201937



DIN rail connector, color: gray, nominal current: 8 A (parallel contacts), rated voltage (III/2): 125 V, Number of positions per row: 5, pitch: 3.81 mm, mounting: DIN rail mounting, Locking: without, Assembly: without, type of packaging: packed in cardboard, Item with gold-plated contacts, bus connectors for connecting with electronics housings, 5 parallel contacts