

Cable connector - CA-17P1N12T007 - 1620217

Please be informed that the data shown in this PDF Document is generated from our Online Catalog. Please find the complete data in the user's documentation. Our General Terms of Use for Downloads are valid (<http://phoenixcontact.com/download>)

Cable connector, CA, angled, shielded: yes, Screw locking, M23, No. of pos.: 17, type of contact: Pin, Solder connection, cable diameter range: 6 mm ... 10 mm, coding:N



The figure shows the 12-pos. product version

Your advantages

- ✓ Angled cable outlet for confined spaces
- ✓ Can be adapted to various applications, thanks to adjustable cable outlet direction
- ✓ Safe use in the field, thanks to high degree of protection
- ✓ Connector for flexible on-site assembly
- ✓ Consistent EMC protection for reliable transmission of signals
- ✓ Solder connection: proven connection technology for various litz wires



Key Commercial Data

| | |
|----------------------|---|
| Packing unit | 1 pc |
| GTIN |  4 046356 818421 |
| GTIN | 4046356818421 |
| Custom tariff number | 85366990 |
| Country of origin | Germany |

Technical data

Temperature range

| | |
|-------------------|-------------------|
| Temperature range | -40 °C ... 125 °C |
|-------------------|-------------------|

Data of the insulating body

| | |
|--------|---|
| Coding | N |
|--------|---|

Cable connector - CA-17P1N12T007 - 1620217

Technical data

Data of the insulating body

| | |
|---|-------------------|
| Insulator material | PBT |
| Contact material | CuZn |
| Contact surface material | Ni/Au |
| Insertion/withdrawal cycles mechanical | 100 |
| Contact connection method | Solder connection |
| Type of contacts | Pin |
| Application | Signal |
| Number of positions | 17 |
| Direction of rotation | Standard |
| Rated voltage | 48 V AC |
| | 74 V DC |
| Rated surge voltage | 1.5 kV |
| Overvoltage category | III |
| Degree of pollution | 3 |
| Contact diameter of signal contacts | 1 mm |
| Litz wire cross section of signal contacts max. | 1 mm ² |
| Nominal current per signal contact | 8 A |

Housing data

| | |
|--|--|
| Housing material | Turned parts: copper zinc alloy (CuZn), die-cast parts: zinc (GD-Zn) |
| Type of locking | Screw locking |
| Degree of protection (when plugged in) | IP67 |
| Thread type | M23 |

Cable seal data

| | |
|------------------|----------------|
| Cable diameter | 6 mm ... 10 mm |
| Sealing material | NBR |

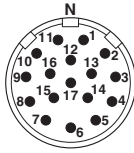
Environmental Product Compliance

| | |
|------------|---|
| REACH SVHC | Lead 7439-92-1 |
| China RoHS | Environmentally Friendly Use Period = 50 years |
| | For details about hazardous substances go to tab "Downloads", Category "Manufacturer's declaration" |

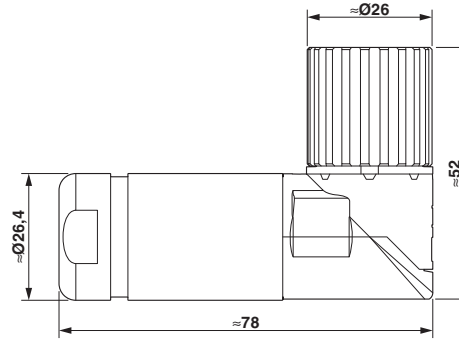
Drawings

Cable connector - CA-17P1N12T007 - 1620217

Schematic diagram



Dimensional drawing



Classifications

eCl@ss

| | |
|---------------|----------|
| eCl@ss 10.0.1 | 27440102 |
| eCl@ss 11.0 | 27440102 |
| eCl@ss 4.0 | 27260700 |
| eCl@ss 4.1 | 27260700 |
| eCl@ss 5.0 | 27260700 |
| eCl@ss 5.1 | 27260700 |
| eCl@ss 6.0 | 27260700 |
| eCl@ss 7.0 | 27440102 |
| eCl@ss 9.0 | 27440102 |

ETIM

| | |
|----------|----------|
| ETIM 3.0 | EC001121 |
| ETIM 4.0 | EC002635 |
| ETIM 6.0 | EC002061 |

UNSPSC

| | |
|---------------|----------|
| UNSPSC 6.01 | 43172015 |
| UNSPSC 7.0901 | 43201404 |
| UNSPSC 11 | 43172015 |
| UNSPSC 12.01 | 43201404 |
| UNSPSC 13.2 | 43201404 |
| UNSPSC 18.0 | 39121413 |
| UNSPSC 19.0 | 39121413 |
| UNSPSC 20.0 | 39121413 |
| UNSPSC 21.0 | 39121413 |

Cable connector - CA-17P1N12T007 - 1620217

Approvals

Approvals

Approvals

UL Recognized / cUL Recognized / cULus Recognized

Ex Approvals

Approval details

| | | | |
|----------------------------|--|---|------------------|
| UL Recognized | | http://database.ul.com/cgi-bin/XYV/template/LISEXT/1FRAME/index.htm | E335019-20141210 |
| | | | |
| Nominal voltage UN | | 48 V | |
| Nominal current IN | | 8 A | |
| mm ² /AWG/kcmil | | 18 | |

| | | | |
|----------------------------|--|---|------------------|
| cUL Recognized | | http://database.ul.com/cgi-bin/XYV/template/LISEXT/1FRAME/index.htm | E335019-20141210 |
| | | | |
| Nominal voltage UN | | 48 V | |
| Nominal current IN | | 5 A | |
| mm ² /AWG/kcmil | | 18 | |

| | | | |
|------------------|--|--|--|
| cULus Recognized | | | |
|------------------|--|--|--|

Accessories

Accessories

Circular connectors (device side)

Cable connector - CA-17P1N12T007 - 1620217

Accessories

Hook wrench - SF-Z0027 - 1607455



Hook wrench

Mounting material

Torque screwdriver - SF-Z0028 - 1607456



Torque screwdriver

Color-coding - RF-Z0014 - 1620588



Color-coding, color: green

Color-coding - RF-Z0015 - 1620592



Color-coding, color: orange

Color-coding - RF-Z0016 - 1620593



Color-coding, color: black

Cable connector - CA-17P1N12T007 - 1620217

Accessories

Protective cover

Protective cap - RC-Z2058 - 1604223



Plastic protection cap for connectors with M23 knurled nut

Plastic anti-static dust protection cap - RC-Z2468 - 1611796



Plastic protection cap, antistatic, for connectors with M23 knurled nut
