

## Cable gland - G-ESIS-M63-L68L-NEPDS-S - 1415147

Please be informed that the data shown in this PDF Document is generated from our Online Catalog. Please find the complete data in the user's documentation. Our General Terms of Use for Downloads are valid (<http://phoenixcontact.com/download>)



Cable gland, cable gland material: Nickel-plated brass, application: Ex, external cable diameter 34 mm ... 48 mm, shielding: no, connecting thread: M63 x 1.5, color: silver, with O-ring

The figure shows the G-ESIS-M25-M68N-NEPDS-S version

### Your advantages

- Dust protection during storage and transport provided by a dust cap.
- Weatherproof sealing material
- Halogen-free



### Key Commercial Data

Packing unit	1 pc
GTIN	 4 055626 037912
GTIN	4055626037912
Custom tariff number	74199990
Country of origin	Germany

### Technical data

#### Dimensions

Length	61 mm
Thread pitch	1.5 mm
Wrench size, union nut	68 mm
Wrench size, support	68 mm
Hexagon angular dimension	75 mm
Length of the connecting thread	15 mm

## Cable gland - G-ESIS-M63-L68L-NEPDS-S - 1415147

### Technical data

#### Dimensions

External cable diameter	34 mm ... 48 mm
Cable types that can be used	for unarmored cables
Hole diameter	63.1 mm ... 63.3 mm

#### Ambient conditions

Degree of protection (IP)	IP66
	IP68 (5 bar / 0.5 h)
Ambient temperature (operation)	-40 °C ... 75 °C (static)

#### General

Cable gland material	Nickel-plated brass
Sealing material	EPDM (O-ring)
Cable seal material	EPDM
Material, insert	PA
Thread type connection side	M63 x 1.5
Torque	40 Nm (Support sleeve)
Tightening torque, union nut	40.00 Nm
Color	silver
Manufacturer	WISKA
Manufacturer Designation	EMSKE-L 63
Suited for EX-applications	yes

#### Standards and Regulations

ATEX	II 2 G/D EEx e II IP68
IECEX	Ex e IIC Gb, Ex tb IIIC Db

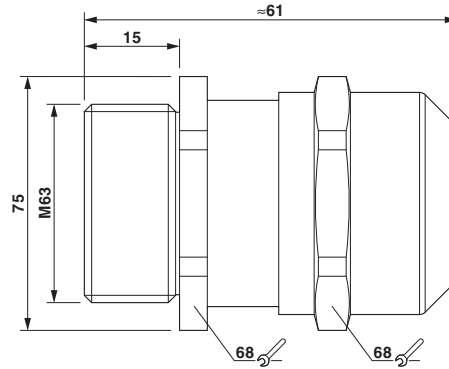
#### Environmental Product Compliance

REACH SVHC	Lead 7439-92-1
China RoHS	Environmentally Friendly Use Period = 50 years
	For details about hazardous substances go to tab "Downloads", Category "Manufacturer's declaration"

### Drawings

# Cable gland - G-ESIS-M63-L68L-NEPDS-S - 1415147

Dimensional drawing



## Classifications

eCl@ss

eCl@ss 10.0.1	27144432
eCl@ss 11.0	27144432
eCl@ss 4.0	27141200
eCl@ss 4.1	27141200
eCl@ss 5.0	27149100
eCl@ss 5.1	27149100
eCl@ss 6.0	27149100
eCl@ss 7.0	27149109
eCl@ss 9.0	27144432

ETIM

ETIM 6.0	EC000441
ETIM 7.0	EC000441

UNSPSC

UNSPSC 13.2	39121311
UNSPSC 18.0	39121311
UNSPSC 19.0	39121311
UNSPSC 20.0	39121311
UNSPSC 21.0	39121311

## Approvals

Approvals

# Cable gland - G-ESIS-M63-L68L-NEPDS-S - 1415147

## Approvals

### Approvals

UL Recognized / cUL Recognized / cULus Recognized

---

### Ex Approvals

IECEX / GL / EAC Ex / ATEX

---

## Approval details

UL Recognized		<a href="http://database.ul.com/cgi-bin/XYV/template/LISEXT/1FRAME/index.htm">http://database.ul.com/cgi-bin/XYV/template/LISEXT/1FRAME/index.htm</a>	E179850
---------------	--	---	---------

cUL Recognized		<a href="http://database.ul.com/cgi-bin/XYV/template/LISEXT/1FRAME/index.htm">http://database.ul.com/cgi-bin/XYV/template/LISEXT/1FRAME/index.htm</a>	E179850
----------------	--	---	---------

cULus Recognized			
------------------	--	--	--

## Accessories

### Accessories

#### Flat nut

Counter nut - A-INL-M63-N-S - 1411248



Counter nut, material: Brass, nickel-plated, for threads M63 x 1.5, color: silver