

Snap-on frame - CES-B10-SF-PLBK - 0801655

Please be informed that the data shown in this PDF Document is generated from our Online Catalog. Please find the complete data in the user's documentation. Our General Terms of Use for Downloads are valid (<http://phoenixcontact.com/download>)



Snap-on frame, type: B10, length: 108 mm, width: 64 mm, height: 39 mm, color: black

Your advantages

- Can also be used for standard panel cutouts for heavy-duty industrial connectors

Key Commercial Data

| | |
|--------------------------------------|---|
| Packing unit | 1 pc |
| GTIN |  4 046356 674157 |
| GTIN | 4046356674157 |
| Weight per Piece (excluding packing) | 52.000 g |
| Custom tariff number | 39269097 |
| Country of origin | Poland |

Technical data

Dimensions

| | |
|--------|--------|
| Length | 108 mm |
| Width | 64 mm |
| Height | 39 mm |

Ambient conditions

| | |
|---------------------------------|---------------------------|
| Degree of protection | IP54 |
| Ambient temperature (operation) | -20 °C ... 80 °C (static) |

General

Snap-on frame - CES-B10-SF-PLBK - 0801655

Technical data

General

| | |
|--|--|
| Frame type | Snap-on frame |
| Type | B10 |
| Material | PA (halogen-free) |
| Flammability rating according to UL 94 | V0 |
| Color | black |
| Note | Mounting screws not supplied as standard. The maximum width of the panel cutout must not exceed 51 mm (instead of 35 mm for heavy-duty industrial connectors). |
| Installation instructions | M4 mounting screw, 1.8 Nm torque. |
| | A video tutorial on how to assemble the product can be found in the Downloads area, in the Video category. |

Standards and Regulations

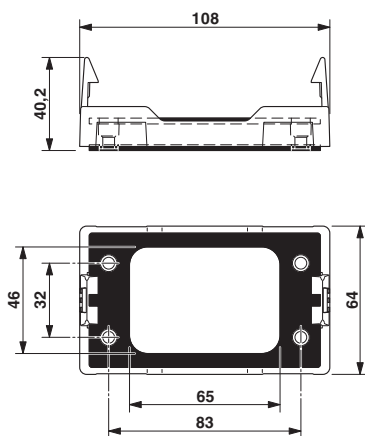
| | |
|--|----|
| Flammability rating according to UL 94 | V0 |
|--|----|

Environmental Product Compliance

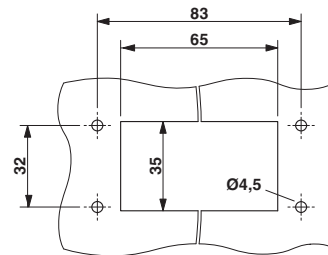
| | |
|------------|---|
| China RoHS | Environmentally friendly use period: unlimited = EFUP-e |
| | No hazardous substances above threshold values |

Drawings

Dimensional drawing



Dimensional drawing



Mounting cutout

Dimensional drawing

Classifications

eCl@ss

| | |
|---------------|----------|
| eCl@ss 10.0.1 | 27440192 |
|---------------|----------|

Snap-on frame - CES-B10-SF-PLBK - 0801655

Classifications

eCl@ss

| | |
|-------------|----------|
| eCl@ss 11.0 | 27440192 |
| eCl@ss 4.0 | 27081000 |
| eCl@ss 4.1 | 27081000 |
| eCl@ss 5.0 | 27081000 |
| eCl@ss 5.1 | 27081000 |
| eCl@ss 6.0 | 27081000 |
| eCl@ss 7.0 | 27069220 |
| eCl@ss 9.0 | 27440192 |

ETIM

| | |
|----------|----------|
| ETIM 3.0 | EC000451 |
| ETIM 4.0 | EC000451 |
| ETIM 6.0 | EC000451 |
| ETIM 7.0 | EC000451 |

UNSPSC

| | |
|---------------|----------|
| UNSPSC 6.01 | 30212109 |
| UNSPSC 7.0901 | 39121708 |
| UNSPSC 11 | 39121708 |
| UNSPSC 12.01 | 39121708 |
| UNSPSC 13.2 | 39121448 |
| UNSPSC 18.0 | 39121421 |
| UNSPSC 19.0 | 39121421 |
| UNSPSC 20.0 | 39121421 |
| UNSPSC 21.0 | 39121421 |

Approvals

Approvals

Approvals

DNV GL

Ex Approvals

Approval details

Snap-on frame - CES-B10-SF-PLBK - 0801655

Approvals

DNV GL



<https://approvalfinder.dnvgl.com/>

TAE00003VJ

Accessories

Accessories

Cover plate

Locking element - CES-B10-SFC-M-15,6 - 1423743



Locking element, type: B10, length: 99 mm, width: 57 mm, height: 15.6 mm

Frame for cable sleeves

Sealing frame - CES-B10-HFFS-PLBK - 0801663



Sealing frame with locking latch, size B10, with flat gasket, for 6 small sleeves

Sealing frame - CES-B10-SFFS-PLBK - 0801660



Sealing frame with screw locking, size B10, with flat gasket, for 6 small sleeves