

## Snap-on frame - CES-B16-SF-PLBK - 0801651

Please be informed that the data shown in this PDF Document is generated from our Online Catalog. Please find the complete data in the user's documentation. Our General Terms of Use for Downloads are valid (<http://phoenixcontact.com/download>)



Snap-on frame, type: B16, length: 128 mm, width: 64 mm, height: 39 mm, color: black

### Your advantages

- Can also be used for standard panel cutouts for heavy-duty industrial connectors

### Key Commercial Data

Packing unit	1 pc
GTIN	 4 046356 674164
GTIN	4046356674164
Weight per Piece (excluding packing)	56.000 g
Custom tariff number	39269097
Country of origin	Poland

### Technical data

#### Dimensions

Length	128 mm
Width	64 mm
Height	39 mm

#### Ambient conditions

Degree of protection	IP54
Ambient temperature (operation)	-20 °C ... 80 °C (static)

#### General

# Snap-on frame - CES-B16-SF-PLBK - 0801651

## Technical data

### General

Frame type	Snap-on frame
Type	B16
Material	PA (halogen-free)
Flammability rating according to UL 94	V0
Color	black
Note	Mounting screws not supplied as standard. The maximum width of the panel cutout must not exceed 51 mm (instead of 35 mm for heavy-duty industrial connectors).
Installation instructions	M4 mounting screw, 1.8 Nm torque.
	A video tutorial on how to assemble the product can be found in the Downloads area, in the Video category.

### Standards and Regulations

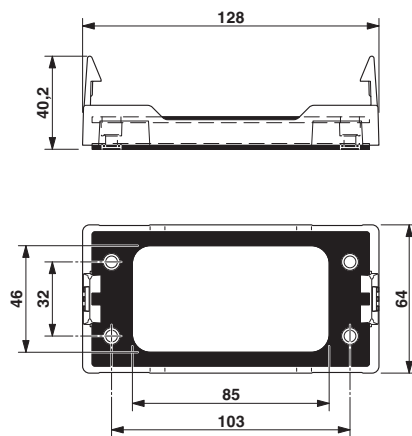
Flammability rating according to UL 94	V0
--	----

### Environmental Product Compliance

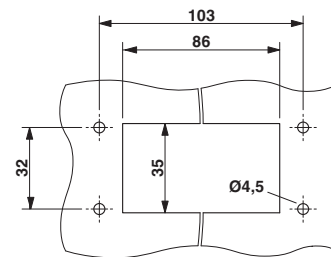
China RoHS	Environmentally friendly use period: unlimited = EFUP-e
	No hazardous substances above threshold values

## Drawings

Dimensional drawing



Dimensional drawing



Mounting cutout

Dimensional drawing

## Classifications

eCl@ss

eCl@ss 10.0.1	27440192
---------------	----------

# Snap-on frame - CES-B16-SF-PLBK - 0801651

## Classifications

### eCl@ss

eCl@ss 11.0	27440192
eCl@ss 4.0	27081000
eCl@ss 4.1	27081000
eCl@ss 5.0	27081000
eCl@ss 5.1	27081000
eCl@ss 6.0	27081000
eCl@ss 7.0	27069220
eCl@ss 9.0	27440192

### ETIM

ETIM 3.0	EC000451
ETIM 4.0	EC000451
ETIM 6.0	EC000451
ETIM 7.0	EC000451

### UNSPSC

UNSPSC 6.01	30212109
UNSPSC 7.0901	39121708
UNSPSC 11	39121708
UNSPSC 12.01	39121708
UNSPSC 13.2	39121448
UNSPSC 18.0	39121421
UNSPSC 19.0	39121421
UNSPSC 20.0	39121421
UNSPSC 21.0	39121421

## Approvals

### Approvals

---

Approvals

DNV GL

---

Ex Approvals

---

### Approval details

## Snap-on frame - CES-B16-SF-PLBK - 0801651

### Approvals

DNV GL



<https://approvalfinder.dnvgl.com/>

TAE00003VJ

### Accessories

#### Accessories

##### Cover plate

Locking element - CES-B16-SFC-M-15,6 - 1423744



Locking element, type: B16, length: 118 mm, width: 57 mm, height: 15.6 mm

### Frame for cable sleeves

Sealing frame - CES-B16-HFFS-PLBK - 0801662



Sealing frame with locking latch, size B16, with flat gasket, for 8 small sleeves

Sealing frame - CES-B16-SFFS-PLBK - 0801659



Sealing frame with screw locking, size B16, with flat gasket, for 8 small sleeves