

Thermal device circuit breaker - TCP 10A - 0712314

Please be informed that the data shown in this PDF Document is generated from our Online Catalog. Please find the complete data in the user's documentation. Our General Terms of Use for Downloads are valid (<http://phoenixcontact.com/download>)



Thermal miniature circuit breaker, pluggable in screw-type fuse terminal block UK 6-FSI/C and spring-cage fuse terminal block ST 4-FSI/C

Your advantages

- ✓ Fast, replacement part-free recommissioning after an event with the reconnection options
- ✓ Easy to retrofit in existing systems with vehicle flat-type fuses with identical pin connector pattern
- ✓ System disconnection for maintenance actions via the integrated device switch

Key Commercial Data

| | |
|--------------------------------------|---|
| Packing unit | 1 pc |
| GTIN |  4 017918 848415 |
| GTIN | 4017918848415 |
| Weight per Piece (excluding packing) | 10.860 g |
| Custom tariff number | 85362010 |
| Country of origin | Indonesia |

Technical data

General

| | |
|---------------------------|---|
| Installation instructions | When mounted in rows, the nominal device current can be limited to just 80% or must be overdimensioned accordingly. |
| Mounting type | on base element |
| Color | black |
| Number of positions | 1 |
| Overvoltage category | II |
| Insulating material | PPS |

Thermal device circuit breaker - TCP 10A - 0712314

Technical data

General

| | |
|--|----|
| Flammability rating according to UL 94 | V0 |
|--|----|

Electrical data

| | |
|---|-------------------------------------|
| Fuse | Slow-blow |
| Fuse type | Automatic device |
| Rated surge voltage | 2.5 kV |
| Rated voltage | 250 V AC |
| | 65 V DC |
| | 250 V (AC according to UL 1077) |
| | 72 V (DC according to UL 1077) |
| Rated current I_N | 10 A |
| Insulation resistance R_{iso} | > 100 M Ω (500 V DC) |
| Rated short-circuit switching capacity I_{cn} | 80 A (250 V AC / 65 V DC) |
| | 200 A (30 V DC) |
| Short-circuit switching capacity | 2000 A (250 V AC / UL 1077) |
| | 2000 A (72 V DC / UL 1077) |
| Dielectric strength | 3000 V AC (Actuation area) |
| | 1500 V AC (Installation area) |
| Switching cycles, max. | 6000 (At 1 x I_n , low-induction) |
| | 3000 (At 1 x I_n , inductive) |
| | 500 (At 2 x I_n , inductive) |
| Degree of pollution | 2 |
| Overvoltage category | II |
| Insulating material group | IIIb |

Dimensions

| | |
|------------------|---------|
| Height | 24.4 mm |
| Width | 8.2 mm |
| Depth | 44.5 mm |
| Height NS 35/7,5 | 55 mm |

Ambient conditions

| | |
|---------------------------------|-----------------------|
| Degree of protection | IP40 (Actuation area) |
| Ambient temperature (operation) | -20 °C ... 60 °C |

Standards and Regulations

| | |
|--------------------------|----------|
| Standards/specifications | EN 60934 |
|--------------------------|----------|

Environmental Product Compliance

| | |
|------------|---|
| China RoHS | Environmentally Friendly Use Period = 25; |
|------------|---|

Thermal device circuit breaker - TCP 10A - 0712314

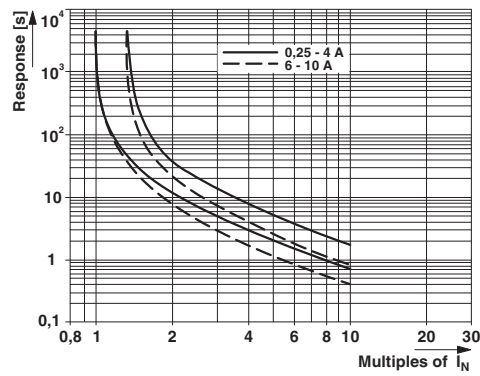
Technical data

Environmental Product Compliance

For details about hazardous substances go to tab "Downloads", Category "Manufacturer's declaration"

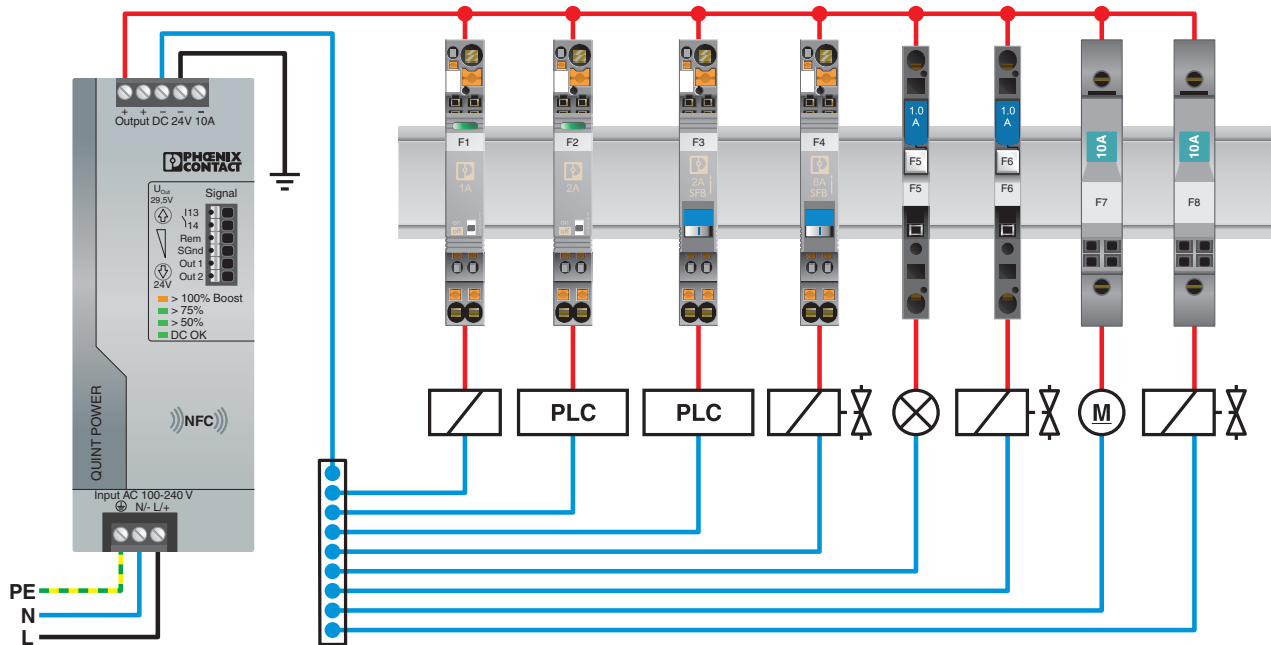
Drawings

Diagram



Thermal device circuit breaker - TCP 10A - 0712314

Application drawing



Classifications

eCl@ss

| | |
|---------------|----------|
| eCl@ss 10.0.1 | 27141116 |
| eCl@ss 11.0 | 27141116 |
| eCl@ss 4.0 | 27141100 |
| eCl@ss 4.1 | 27141100 |
| eCl@ss 5.0 | 27141100 |
| eCl@ss 5.1 | 27141100 |
| eCl@ss 6.0 | 27141100 |
| eCl@ss 7.0 | 27141116 |
| eCl@ss 9.0 | 27141116 |

ETIM

| | |
|----------|----------|
| ETIM 2.0 | EC000899 |
| ETIM 3.0 | EC000899 |

Thermal device circuit breaker - TCP 10A - 0712314

Classifications

ETIM

| | |
|----------|----------|
| ETIM 4.0 | EC000899 |
| ETIM 6.0 | EC000899 |
| ETIM 7.0 | EC000899 |

UNSPSC

| | |
|---------------|----------|
| UNSPSC 6.01 | 30211812 |
| UNSPSC 7.0901 | 39121411 |
| UNSPSC 11 | 39121411 |
| UNSPSC 12.01 | 39121411 |
| UNSPSC 13.2 | 39121410 |
| UNSPSC 18.0 | 39121410 |
| UNSPSC 19.0 | 39121410 |
| UNSPSC 20.0 | 39121410 |
| UNSPSC 21.0 | 39121410 |

Approvals


Approvals

Approvals

CSA / UL Recognized / cUL Recognized / EAC / CCC / EAC / VDE Zeichengenehmigung / cULus Recognized

Ex Approvals

Approval details

| | | | |
|--------------------|---|---|--------|
| CSA |  | http://www.csagroup.org/services-industries/product-listing/ | 074317 |
| Nominal voltage UN | 250 V | | |
| Nominal current IN | 10 A | | |

| | | | |
|---------------|---|---|---------------|
| UL Recognized |  | http://database.ul.com/cgi-bin/XYV/template/LISEXT/1FRAME/index.htm | FILE E 140459 |
|---------------|---|---|---------------|

Thermal device circuit breaker - TCP 10A - 0712314

Approvals

| | | | |
|------------------------|--|---|-------------------------|
| cUL Recognized | | http://database.ul.com/cgi-bin/XYVV/template/LISEXT/1FRAME/index.htm | FILE E 140459 |
| EAC | | | EAC-Zulassung |
| CCC | | | 2019010307241945 |
| EAC | | | RU C- DE.A*30.B01546 |
| VDE Zeichengenehmigung | | http://www2.vde.com/de/Institut/Online-Service/VDE-gepruefteProdukte/Seiten/Online-Suche.aspx | 40034332 |
| cULus Recognized | | | |

Accessories

Accessories

Terminal marking

Flat zack marker sheet - ZBFM 5/WH:UNBEDRUCKT - 0803595

Flat zack marker sheet, Sheet, white, unlabeled, can be labeled with: CMS-P1-PLOTTER, PLOTMARK, mounting type: snap into flat marker groove, for terminal block width: 5.2 mm, lettering field size: 5 x 4.5 mm, Number of individual labels: 120



Thermal device circuit breaker - TCP 10A - 0712314

Accessories

Flat zack marker sheet - ZBFM 5/OG:UNBEDRUCKT - 0807180



Flat zack marker sheet, Sheet, orange, unlabeled, can be labeled with: CMS-P1-PLOTTER, PLOTMARK, mounting type: snap into flat marker groove, for terminal block width: 5.2 mm, lettering field size: 5 x 4.5 mm, Number of individual labels: 120

Additional products

Fuse modular terminal block - ST 4-FSI/C - 3036372



Fuse modular terminal block, fuse type: Flat, connection method: Spring-cage connection, cross section: 0.08 mm²- 6 mm², AWG: 28 - 10, nominal current: 30 A, nom. voltage: 400 V, width: 8.2 mm, fuse type: C, mounting type: NS 35/7,5, NS 35/15, color: black

Fuse modular terminal block - ST 4-FSI/C-LED 12 - 3036495



Fuse terminal block with LED for mounting on NS 35, for miniature circuit breakers, terminal width: 8.2 mm, color: Black

Fuse modular terminal block - ST 4-FSI/C-LED 24 - 3036505



Fuse terminal block with LED for mounting on NS 35, for miniature circuit breakers, terminal width: 8.2 mm, color: Black

Fuse modular terminal block - UK 6-FSI/C - 3118203



Flat-type fuse terminal block, cross section: 0.2 - 6 mm², AWG: 26 - 8, width: 8.2 mm, color: black

Thermal device circuit breaker - TCP 10A - 0712314

Accessories

Fuse modular terminal block - UK 6-FSI/C-LED12 - 3001925



Flat-type fuse terminal block, cross section: 0.2 - 6 mm², AWG: 26 - 8, width: 8.2 mm, color: black, with light indicator, voltage light indicator: 12 V DC, current light indicator: 2 mA

Fuse modular terminal block - UK 6-FSI/C-LED24 - 3001938



Flat-type fuse terminal block, cross section: 0.2 - 6 mm², AWG: 26 - 8, width: 8.2 mm, color: black, with light indicator, voltage light indicator: 24 V DC, current light indicator: 2 mA

Fuse modular terminal block - PT 6-FSI/C - 3212166



Fuse modular terminal block, fuse type: Flat, connection method: Push-in connection, cross section: 0.5 mm²- 10 mm², AWG: 20 - 8, nominal current: 25 A, nom. voltage: 400 V, width: 8.2 mm, fuse type: Type C / max. 2.2 W, mounting type: NS 35/7,5, NS 35/15, color: black

Fuse modular terminal block - PT 6-FSI/C-LED 12 - 3212169



Fuse modular terminal block, fuse type: Flat, connection method: Push-in connection, cross section: 0.5 mm²- 10 mm², AWG: 20 - 8, nominal current: 25 A, nom. voltage: 12 V, width: 8.2 mm, fuse type: Type C / max. 2.2 W, mounting type: NS 35/7,5, NS 35/15, color: black

Fuse modular terminal block - PT 6-FSI/C-LED 24 - 3212172



Fuse modular terminal block, fuse type: Flat, connection method: Push-in connection, cross section: 0.5 mm²- 10 mm², AWG: 20 - 8, nominal current: 25 A, nom. voltage: 24 V, width: 8.2 mm, fuse type: Type C / max. 2.2 W, mounting type: NS 35/7,5, NS 35/15, color: black

Thermal device circuit breaker - TCP 10A - 0712314

Accessories

Fuse modular terminal block - PT 6-FSI/C-LED 48 - 3212175



Fuse modular terminal block, fuse type: Flat, connection method: Push-in connection, cross section: 0.5 mm²- 10 mm², AWG: 20 - 8, nominal current: 25 A, nom. voltage: 48 V, width: 8.2 mm, fuse type: Type C / max. 2.2 W, mounting type: NS 35/7,5, NS 35/15, color: black