

Thermal device circuit breaker - TCP 15/DC32V - 0700015

Please be informed that the data shown in this PDF Document is generated from our Online Catalog. Please find the complete data in the user's documentation. Our General Terms of Use for Downloads are valid (<http://phoenixcontact.com/download>)



Thermal device circuit breaker, number of positions: 1, nominal current: 15 A, nom. voltage: 32 V, width: 6 mm, fuse type: Slow-blow, fuse type: Automatic device, mounting type: on base element, Color: blue

Your advantages

- ✓ A version with screw or spring-cage connection is used as a basic terminal block
- ✓ Easy to retrofit in existing systems with vehicle flat-type fuses with identical pin connector pattern
- ✓ Easy identification of the nominal current value via color marking



Key Commercial Data

Packing unit	1 pc
GTIN	
GTIN	4046356079655
Weight per Piece (excluding packing)	4.076 g
Custom tariff number	85362010
Country of origin	Germany

Technical data

General

Mounting type	on base element
Color	blue
Number of positions	1
Insulating material	PA

Electrical data

Fuse	Slow-blow
------	-----------

Thermal device circuit breaker - TCP 15/DC32V - 0700015

Technical data

Electrical data

Fuse type	Automatic device
Rated voltage	32 V DC
Rated current I_N	15 A
Rated short-circuit switching capacity I_{cn}	150 A (≥ 3 switch-offs)
	2000 A (≥ 1 switch-off)
	≤ 50 A (300 switch-offs)

Dimensions

Height	20.3 mm
Width	6 mm
Depth	24 mm

Ambient conditions

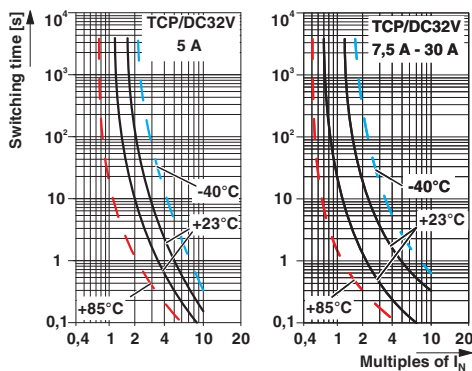
Degree of protection	IP30 (Actuation area)
Ambient temperature (operation)	-40 °C ... 85 °C

Environmental Product Compliance

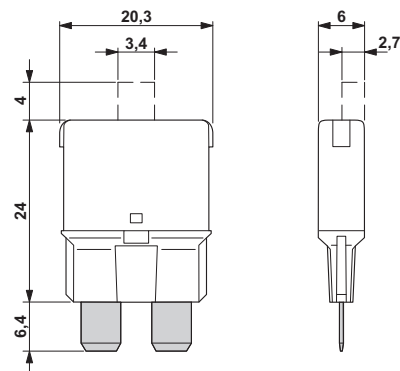
REACH SVHC	Lead 7439-92-1
China RoHS	Environmentally Friendly Use Period = 25;
	For details about hazardous substances go to tab "Downloads", Category "Manufacturer's declaration"

Drawings

Diagram

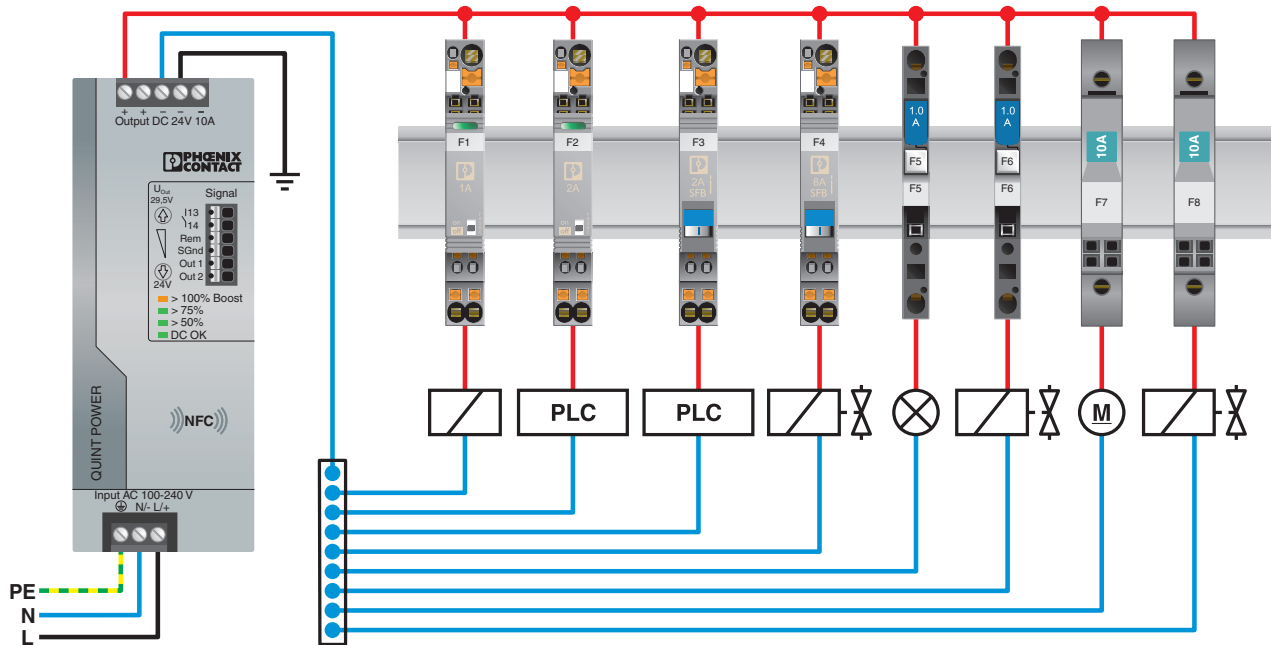


Dimensional drawing



Thermal device circuit breaker - TCP 15/DC32V - 0700015

Application drawing



Classifications

eCl@ss

eCl@ss 10.0.1	27141116
eCl@ss 11.0	27141116
eCl@ss 4.0	27141100
eCl@ss 4.1	27141100
eCl@ss 5.0	27141100
eCl@ss 5.1	27141100
eCl@ss 6.0	27141100
eCl@ss 7.0	27141116
eCl@ss 9.0	27141116

ETIM

ETIM 2.0	EC000899
ETIM 3.0	EC000899

Thermal device circuit breaker - TCP 15/DC32V - 0700015

Classifications

ETIM

ETIM 4.0	EC000899
ETIM 6.0	EC000899
ETIM 7.0	EC000899

UNSPSC

UNSPSC 6.01	30211812
UNSPSC 7.0901	39121411
UNSPSC 11	39121411
UNSPSC 12.01	39121411
UNSPSC 13.2	39121410
UNSPSC 18.0	39121410
UNSPSC 19.0	39121410
UNSPSC 20.0	39121410
UNSPSC 21.0	39121410

Accessories

Additional products

Fuse modular terminal block - ST 4-FSI/C - 3036372



Fuse modular terminal block, fuse type: Flat, connection method: Spring-cage connection, cross section: 0.08 mm²- 6 mm², AWG: 28 - 10, nominal current: 30 A, nom. voltage: 400 V, width: 8.2 mm, fuse type: C, mounting type: NS 35/7,5, NS 35/15, color: black

Fuse modular terminal block - ST 4-FSI/C-LED 12 - 3036495



Fuse terminal block with LED for mounting on NS 35, for miniature circuit breakers, terminal width: 8.2 mm, color: Black

Thermal device circuit breaker - TCP 15/DC32V - 0700015

Accessories

Fuse modular terminal block - ST 4-FSI/C-LED 24 - 3036505



Fuse terminal block with LED for mounting on NS 35, for miniature circuit breakers, terminal width: 8.2 mm, color: Black

Fuse modular terminal block - UK 6-FSI/C - 3118203



Flat-type fuse terminal block, cross section: 0.2 - 6 mm², AWG: 26 - 8, width: 8.2 mm, color: black

Fuse modular terminal block - UK 6-FSI/C-LED12 - 3001925



Flat-type fuse terminal block, cross section: 0.2 - 6 mm², AWG: 26 - 8, width: 8.2 mm, color: black, with light indicator, voltage light indicator: 12 V DC, current light indicator: 2 mA

Fuse modular terminal block - UK 6-FSI/C-LED24 - 3001938



Flat-type fuse terminal block, cross section: 0.2 - 6 mm², AWG: 26 - 8, width: 8.2 mm, color: black, with light indicator, voltage light indicator: 24 V DC, current light indicator: 2 mA

Fuse modular terminal block - PT 6-FSI/C - 3212166



Fuse modular terminal block, fuse type: Flat, connection method: Push-in connection, cross section: 0.5 mm²- 10 mm², AWG: 20 - 8, nominal current: 25 A, nom. voltage: 400 V, width: 8.2 mm, fuse type: Type C / max. 2.2 W, mounting type: NS 35/7,5, NS 35/15, color: black

Thermal device circuit breaker - TCP 15/DC32V - 0700015

Accessories

Fuse modular terminal block - PT 6-FSI/C-LED 12 - 3212169



Fuse modular terminal block, fuse type: Flat, connection method: Push-in connection, cross section: 0.5 mm²- 10 mm², AWG: 20 - 8, nominal current: 25 A, nom. voltage: 12 V, width: 8.2 mm, fuse type: Type C / max. 2.2 W, mounting type: NS 35/7,5, NS 35/15, color: black

Fuse modular terminal block - PT 6-FSI/C-LED 24 - 3212172



Fuse modular terminal block, fuse type: Flat, connection method: Push-in connection, cross section: 0.5 mm²- 10 mm², AWG: 20 - 8, nominal current: 25 A, nom. voltage: 24 V, width: 8.2 mm, fuse type: Type C / max. 2.2 W, mounting type: NS 35/7,5, NS 35/15, color: black