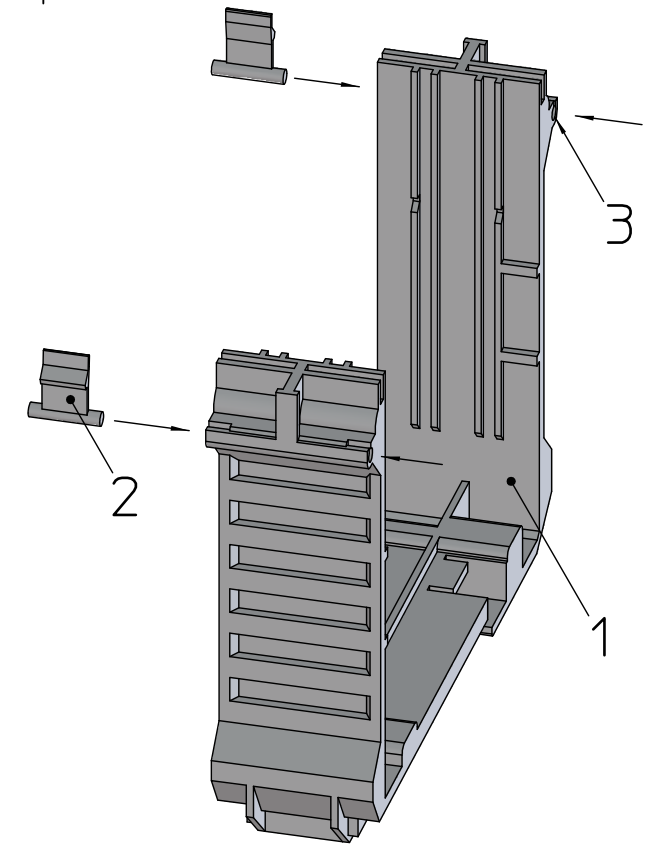
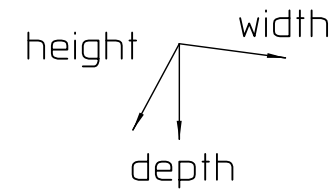
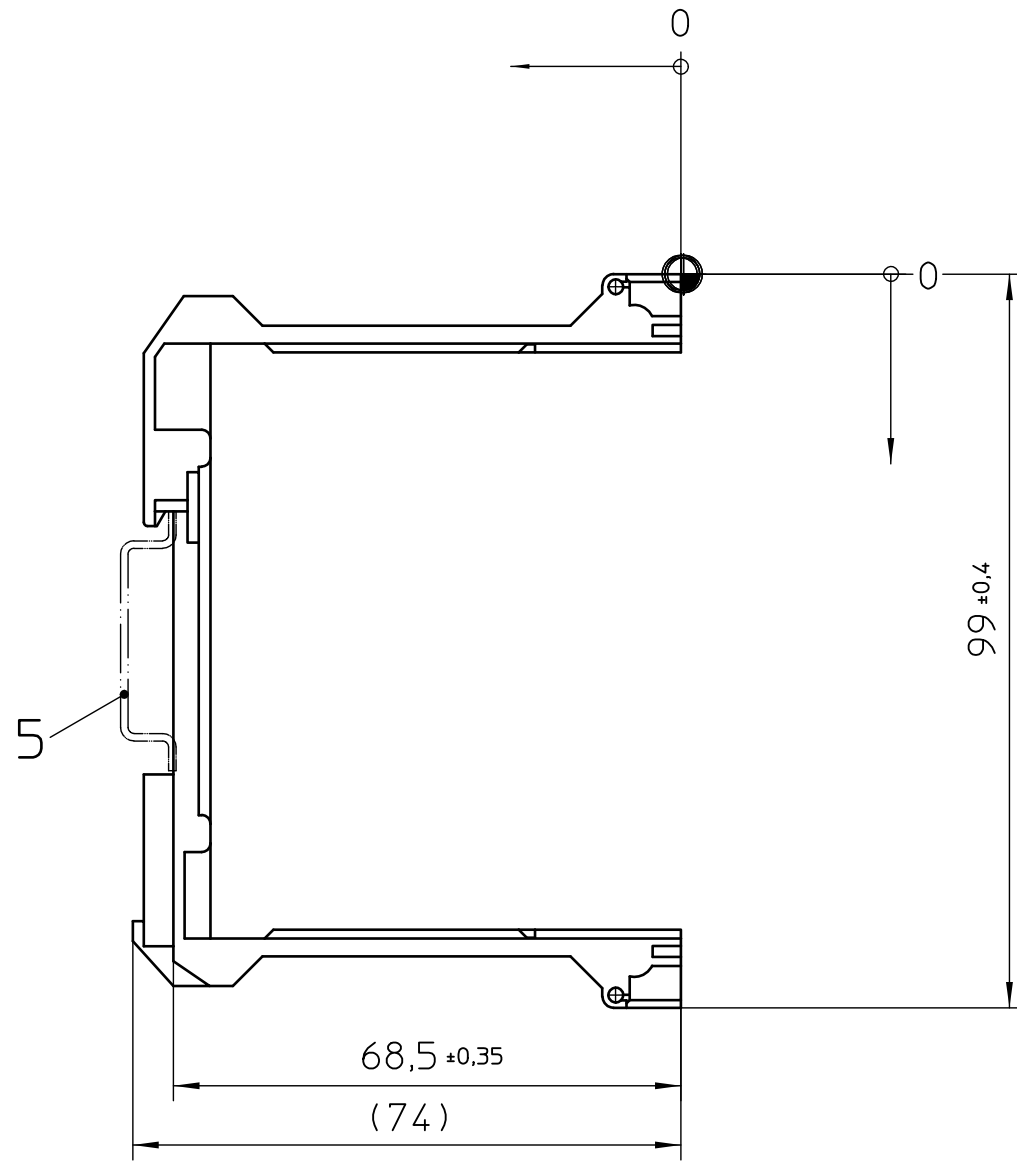
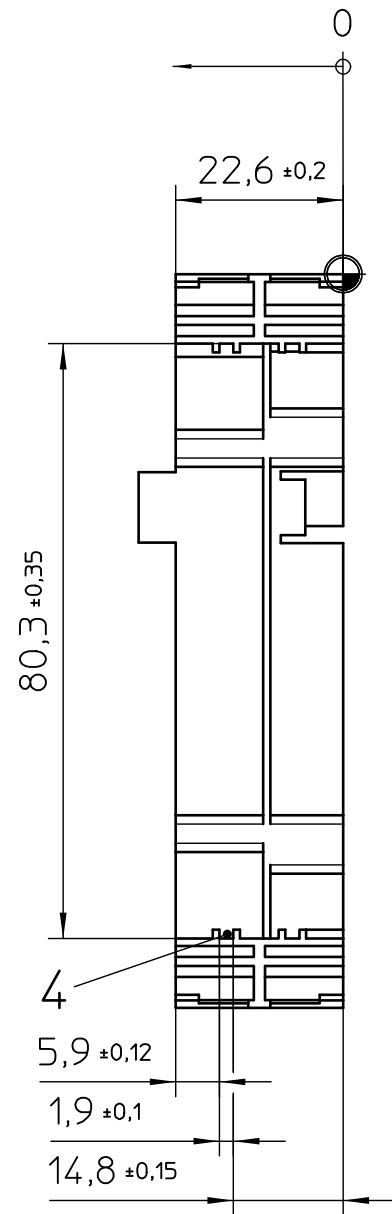


Transfer or duplication of this document as well as the utilisation or communication of its content are not permitted unless express consent is granted. Violations give rise to claims for damages. All rights reserved in case of patent, utility model or design patent registrations.

Weitergabe sowie Vervielfältigung dieses Dokuments, Verwertung und Mitteilung seines Inhalts sind verboten, soweit nicht ausdrücklich gestattet. Zuwiderhandlungen verpflichten zu Schadenersatz. Alle Rechte für den Fall der Patent-, Gebrauchsmuster- oder Designeintragung vorbehalten.

# ME 45 UTM G



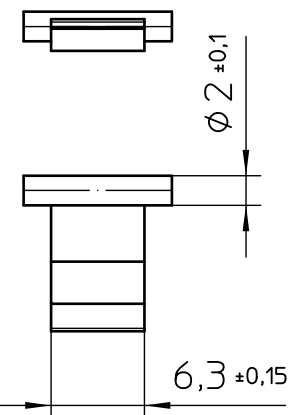
### General Information

- 1. ME 45 UTM G
- 2. ME locking latch (2x)
- 3. Hole to insert the locking latch
- 4. PCB guidance
- 5. Mounting rail like EN 60715: TH 35-7,5/15 or mounting rail TH 35-15x1,5 similar to EN 60715
- ⊕ = Workpiece zero point for mechanical processing

- The article is a assembly kit
- Simplified representation
- Document excluded from change process, exemplary shown in gray
- CAD Data see Download-Center on [www.phoenixcontact.com](http://www.phoenixcontact.com)
- Linear dimensions [mm]
- Tolerances, apply in a normal climate according to DIN 50014-23/50-2, with about 2% (% by weight) moisture content.
- In case of distortion there is no functional impact of the single part in the application
- Recommended PCB outline on [www.phoenixcontact.com](http://www.phoenixcontact.com) webcode: #0512

## ME locking latch

2:1



	DIN A3	document-No. / RI	00860763 / 01	date	12.11.2020	scale	1:1
		ident.-No.	2853417	document-type	TECDOC 2D_Productdrawing		
description		ME 45 UTM G GN					
page 1	of 1						