

## Cover profile - AP 2 METER - 5022627


Please be informed that the data shown in this PDF Document is generated from our Online Catalog. Please find the complete data in the user's documentation. Our General Terms of Use for Downloads are valid (<http://phoenixcontact.com/download>)



Cover profile, for covering terminal strips, snaps onto cover profile carrier AP 2-TU, can be marked with insert strip AP-ES. Cover profile carriers should be placed at the ends and at intervals of approx. 40 cm. Length: 1 m

RoHS

### Key Commercial Data

Packing unit	1 M
GTIN	 4 017918 095222
GTIN	4017918095222
Weight per Piece (excluding packing)	295.500 g
Custom tariff number	39162000
Country of origin	Germany

### Technical data

#### Dimensions

Length (b)	1000 mm
Width (a)	60 mm
Depth	33 mm

#### Ambient conditions

Ambient temperature (operation)	-15 °C ... 65 °C
---------------------------------	------------------

#### General

Color	transparent
Flammability rating according to UL 94	V0
Material	PVC

### Standards and Regulations

# Cover profile - AP 2 METER - 5022627

## Technical data

### Standards and Regulations

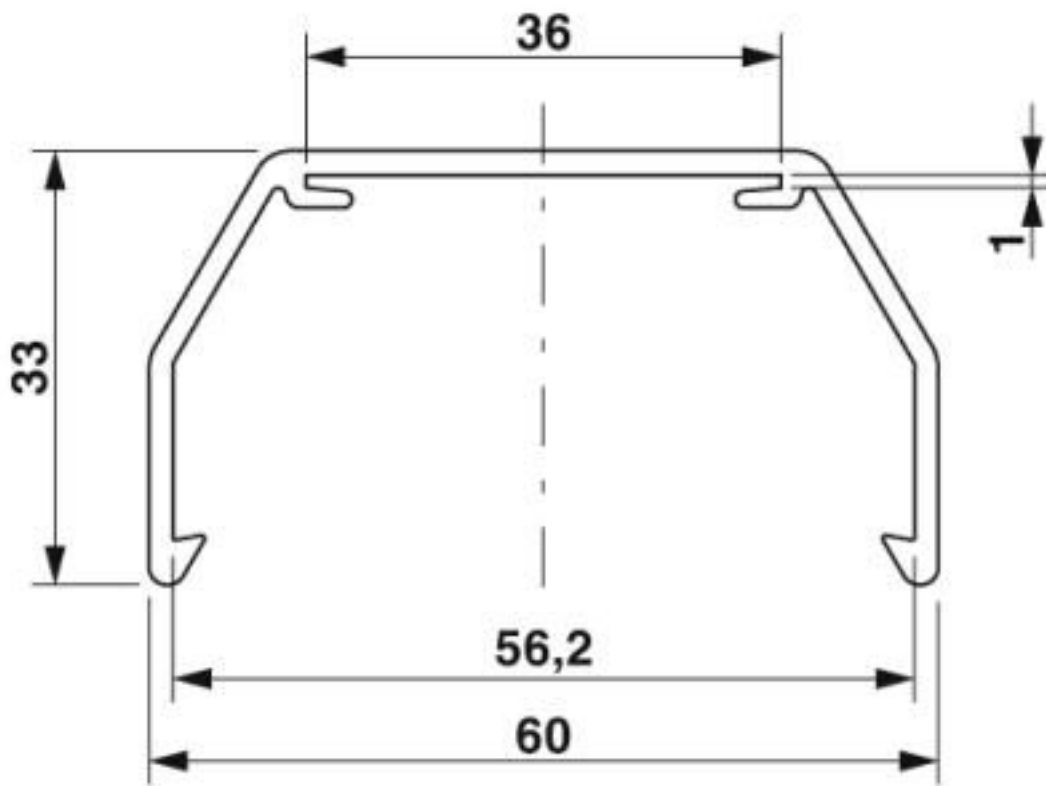
Flammability rating according to UL 94	V0
--	----

### Environmental Product Compliance

China RoHS	Environmentally friendly use period: unlimited = EFUP-e
	No hazardous substances above threshold values

## Drawings

Dimensional drawing



## Classifications

eCl@ss

eCl@ss 10.0.1	27141190
eCl@ss 4.0	27141100
eCl@ss 4.1	27141100
eCl@ss 5.0	27141100

## Cover profile - AP 2 METER - 5022627

### Classifications

#### eCl@ss

eCl@ss 5.1	27141100
eCl@ss 6.0	27141100
eCl@ss 7.0	27141190
eCl@ss 8.0	27141190
eCl@ss 9.0	27141190

#### ETIM

ETIM 2.0	EC001031
ETIM 3.0	EC001031
ETIM 4.0	EC000007
ETIM 5.0	EC002848
ETIM 6.0	EC002848
ETIM 7.0	EC002848

#### UNSPSC

UNSPSC 6.01	30211923
UNSPSC 7.0901	27121703
UNSPSC 11	27121703
UNSPSC 12.01	27121703
UNSPSC 13.2	39121410
UNSPSC 18.0	39121410
UNSPSC 19.0	39121410
UNSPSC 20.0	39121410
UNSPSC 21.0	39121410

### Accessories

#### Accessories

#### Cover profile

Insert strip - AP-ES - 5022685



Insert strip, white, unlabeled, mounting type: insert, for terminal block width: 35 mm, lettering field size: 35 x 500 mm

---

#### Cover profile carrier

## Cover profile - AP 2 METER - 5022627

### Accessories

Cover profile carrier - AP 2-TU - 5022630



Cover profile carrier for mounting on NS 32 or NS 35/7.5 DIN rail for attaching the cover profile AP 2.2 mm thick

---

Cover profile carrier - AP 2-TU KS - 3034372



Sealable cover profile, for mounting on NS 35/7,5 DIN rail and for fixing the cover profile AP 2, with plastic knurled nut M5, space requirement: 2 mm

---

---