

Ring cable lug - C-RCEI 6/M6 - 3241212

Please be informed that the data shown in this PDF Document is generated from our Online Catalog. Please find the complete data in the user's documentation. Our General Terms of Use for Downloads are valid (<http://phoenixcontact.com/download>)




Ring cable lug, yellow, 4 ... 6 mm², M6, with copper sleeve incorporated, for insulation crimp

Your advantages

- ✓ The sleeves are conically tapered to facilitate easy and correct insertion of the conductor
- ✓ The mechanical load capacity of the connection is significantly increased by the additionally applied copper sleeve (insulation crimp).

Key Commercial Data

| | |
|--------------------------------------|---|
| Packing unit | 1 pc |
| Minimum order quantity | 100 pc |
| GTIN |  4 046356 826174 |
| GTIN | 4046356826174 |
| Weight per Piece (excluding packing) | 2.400 g |
| Custom tariff number | 85369010 |
| Country of origin | Taiwan |

Technical data

Dimensions

| | |
|---|---------|
| Length (b) | 29.5 mm |
| Width (a) | 12 mm |
| Length of insulation sleeve (c) | 13 mm |
| Inner dimension of the insulating collar (d) | 6.5 mm |
| Distance between the center and the insulation sleeve (e) | 10.5 mm |
| Inner diameter (f) | 6.5 mm |
| Material thickness (g) | 1 mm |

Ring cable lug - C-RCEI 6/M6 - 3241212

Technical data

Ambient conditions

| | |
|---|---|
| Ambient temperature (operation) | -20 °C ... 105 °C |
| Ambient temperature (assembly) | -20 °C ... 100 °C |
| Optimum ambient temperature (storage/transport) | 20 °C 50 % Humidity (RH), store inside sealed original packaging. Avoid direct sunlight and heat. |
| Short-term temperature | 100 °C |

General

| | |
|--|--------------|
| Color | yellow |
| Components | halogen-free |
| Flammability rating according to UL 94 | V2 |
| Material | Copper |
| Insulating material | PA |
| Coating | tin-plated |

Standards and Regulations

| | |
|--|----|
| Flammability rating according to UL 94 | V2 |
|--|----|

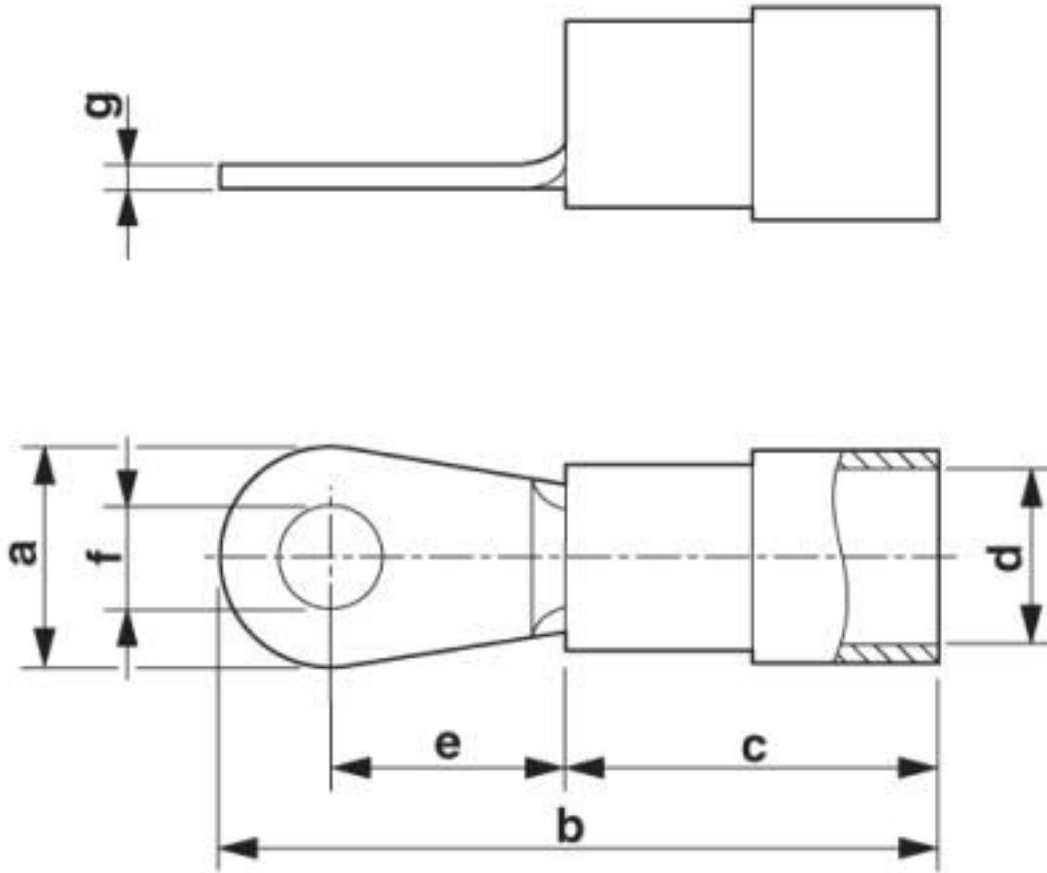
Environmental Product Compliance

| | |
|------------|---|
| China RoHS | Environmentally friendly use period: unlimited = EFUP-e |
| | No hazardous substances above threshold values |

Drawings

Ring cable lug - C-RCEI 6/M6 - 3241212

Dimensional drawing



Classifications

eCl@ss

| | |
|---------------|----------|
| eCl@ss 10.0.1 | 27400204 |
| eCl@ss 4.0 | 27060700 |
| eCl@ss 4.1 | 27060700 |
| eCl@ss 5.0 | 27400200 |
| eCl@ss 5.1 | 27400200 |
| eCl@ss 6.0 | 27400200 |
| eCl@ss 7.0 | 27400204 |
| eCl@ss 8.0 | 27400204 |
| eCl@ss 9.0 | 27400204 |

ETIM

| | |
|----------|----------|
| ETIM 3.0 | EC000005 |
|----------|----------|

Ring cable lug - C-RCEI 6/M6 - 3241212

Classifications

ETIM

| | |
|----------|----------|
| ETIM 4.0 | EC001052 |
| ETIM 5.0 | EC001052 |
| ETIM 6.0 | EC001052 |
| ETIM 7.0 | EC001052 |

UNSPSC

| | |
|---------------|----------|
| UNSPSC 6.01 | 30212109 |
| UNSPSC 7.0901 | 27121703 |
| UNSPSC 11 | 27121703 |
| UNSPSC 12.01 | 27121703 |
| UNSPSC 13.2 | 27121707 |
| UNSPSC 18.0 | 27121707 |
| UNSPSC 19.0 | 27121707 |
| UNSPSC 20.0 | 27121707 |
| UNSPSC 21.0 | 27121707 |

Approvals


Approvals

Approvals

EAC

Ex Approvals

Approval details

| | | |
|-----|---|---------------|
| EAC |  | EAC-Zulassung |
|-----|---|---------------|
