

Shield connection clamp - SKS 8-NS35 - 3240216

Please be informed that the data shown in this PDF Document is generated from our Online Catalog. Please find the complete data in the user's documentation. Our General Terms of Use for Downloads are valid (<http://phoenixcontact.com/download>)



Shield connection terminal block, for applying the shield to busbars

Your advantages

- ✓ The SKS ... spring shield connection clamps are available for cable and conductor diameters of 3 to 20 mm
- ✓ According to the requirements of the directive and standards for electrical equipment in potentially explosive areas, as components, shield connections are not eligible for certification. As such, shield connection clamps can be used in the Ex area even without appropriate approval and marking.
- ✓ Three different mounting types supported: on NS 35 DIN rails, on busbars or directly on conductive mounting plates

Key Commercial Data

Packing unit	1 pc
Minimum order quantity	10 pc
GTIN	 4 046356 458870
GTIN	4046356458870
Weight per Piece (excluding packing)	26.000 g
Custom tariff number	85369010
Country of origin	Germany

Technical data

General

Number of levels	1
Number of connections	1
Cable diameter	3 mm ... 8 mm
Color	silver

Shield connection clamp - SKS 8-NS35 - 3240216

Technical data

General

Open side panel	No
Result of the test for mechanical stability of terminal points (5 x conductor connection)	Test passed

Dimensions

Length	53.2 mm
Width	12.5 mm
Height	50.7 mm
Height NS 35/7,5	54 mm
Height NS 35/15	61.5 mm

Connection data

Connection method	Spring-cage connection
Conductor cross section solid min.	3 mm ²
Conductor cross section solid max.	8 mm ²
Conductor cross section flexible min.	3 mm ²
Conductor cross section flexible max.	8 mm ²
Conductor cross section AWG min.	12
Conductor cross section AWG max.	8
Screw thread	M3,5
Tightening torque, min	1 Nm
Tightening torque max	1.2 Nm

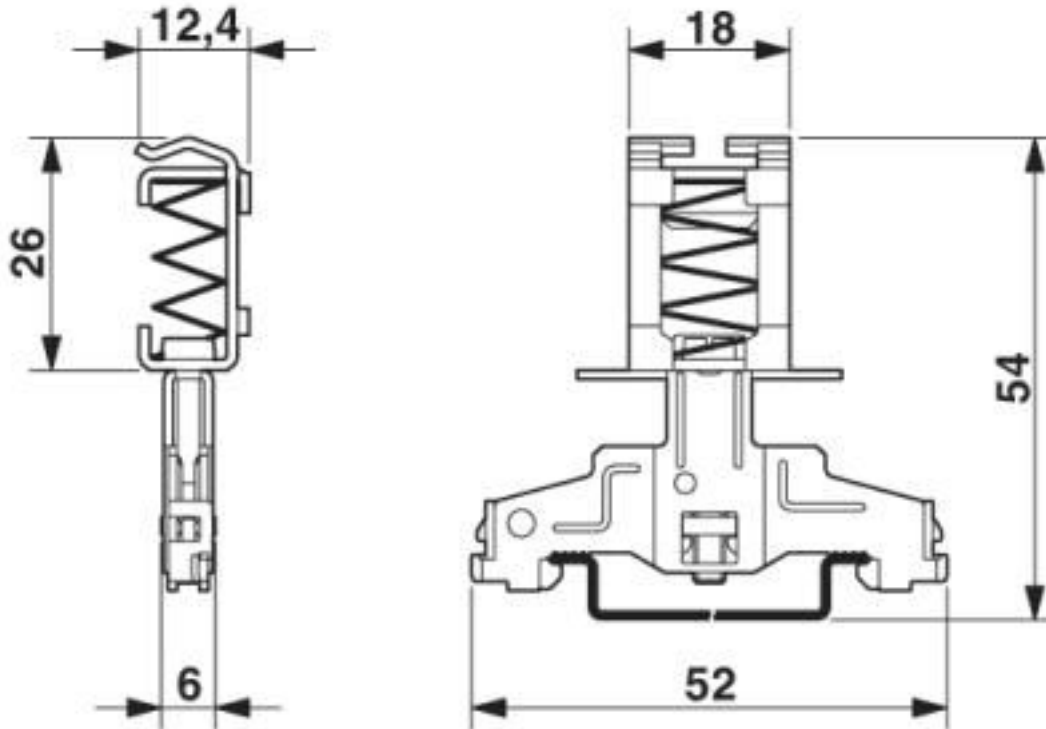
Environmental Product Compliance

China RoHS	Environmentally friendly use period: unlimited = EFUP-e
	No hazardous substances above threshold values

Drawings

Shield connection clamp - SKS 8-NS35 - 3240216

Dimensional drawing



Classifications

eCl@ss

eCl@ss 10.0.1	27141150
eCl@ss 4.0	27141100
eCl@ss 4.1	27141100
eCl@ss 5.0	27141100
eCl@ss 5.1	27141100
eCl@ss 6.0	27141100
eCl@ss 7.0	27141150
eCl@ss 8.0	27141150
eCl@ss 9.0	27141150

ETIM

ETIM 2.0	EC000897
ETIM 3.0	EC000897
ETIM 4.0	EC000001
ETIM 5.0	EC002020

Shield connection clamp - SKS 8-NS35 - 3240216

Classifications

ETIM

ETIM 6.0	EC002020
ETIM 7.0	EC002020

UNSPSC

UNSPSC 6.01	30211811
UNSPSC 7.0901	39121410
UNSPSC 11	39121410
UNSPSC 12.01	39121410
UNSPSC 13.2	39121432
UNSPSC 18.0	39121432
UNSPSC 19.0	39121432
UNSPSC 20.0	39121432
UNSPSC 21.0	39121432