

Ring cable lug - C-RC 120/M12 DIN - 3240126

Please be informed that the data shown in this PDF Document is generated from our Online Catalog. Please find the complete data in the user's documentation. Our General Terms of Use for Downloads are valid (<http://phoenixcontact.com/download>)



Ring cable lug, non-insulated, 120 mm², M12

Your advantages

- ✓ The CRIMPFOX-RC... tools from our CRIMPFOX range of crimping pliers are available for optimum crimping
- ✓ The hard-soldered press zone enables maximum conductor pull-out values to be achieved
- ✓ The ring cable lugs without plastic sleeve are made from high-quality tin-plated electrolytic copper for maximum protection against corrosion

Key Commercial Data

| | |
|--------------------------------------|---------------------|
| Packing unit | 1 pc |
| Minimum order quantity | 25 pc |
| GTIN | 4 046356 453431 |
| GTIN | 4046356453431 |
| Weight per Piece (excluding packing) | 56.800 g |
| Custom tariff number | 85369010 |
| Country of origin | China |

Technical data

Dimensions

| | |
|---|---------|
| Length (b) | 56 mm |
| Width (a) | 24 mm |
| Maximum stripping length | 25 mm |
| Length of insulation sleeve (c) | 22 mm |
| Inner dimension of the insulating collar (d) | 16.5 mm |
| Distance between the center and the insulation sleeve (e) | 22 mm |

Ring cable lug - C-RC 120/M12 DIN - 3240126

Technical data

Dimensions

| | |
|------------------------|-------|
| Inner diameter (f) | 13 mm |
| Material thickness (g) | 3 mm |

Ambient conditions

| | |
|---------------------------------|--------|
| Ambient temperature (operation) | 110 °C |
|---------------------------------|--------|

General

| | |
|------------------|------------|
| Color | silver |
| Stripping length | 25 mm |
| Material | Copper |
| Coating | tin-plated |

Standards and Regulations

| | |
|------------------------------|-----------|
| Design according to standard | DIN 46234 |
|------------------------------|-----------|

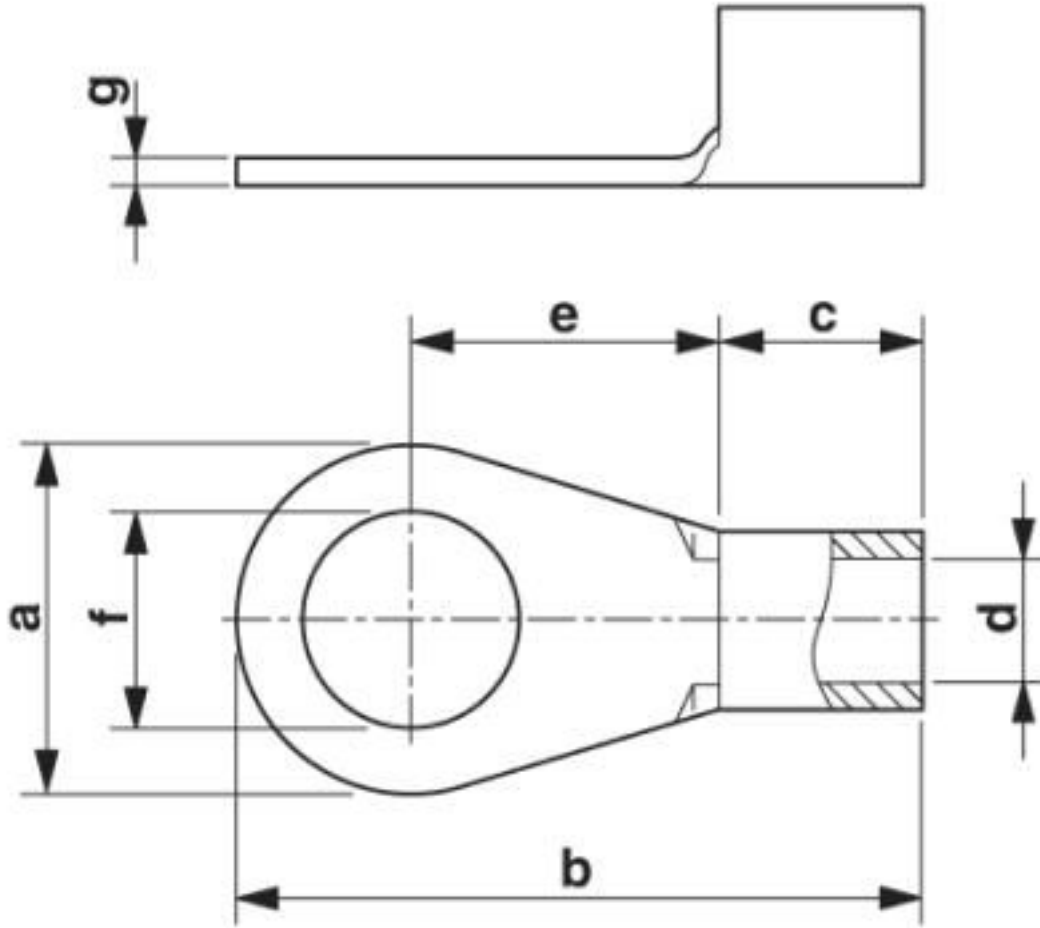
Environmental Product Compliance

| | |
|------------|---|
| China RoHS | Environmentally friendly use period: unlimited = EFUP-e |
| | No hazardous substances above threshold values |

Drawings

Ring cable lug - C-RC 120/M12 DIN - 3240126

Dimensional drawing



Classifications

eCl@ss

| | |
|---------------|----------|
| eCl@ss 10.0.1 | 27400204 |
| eCl@ss 4.0 | 27060700 |
| eCl@ss 4.1 | 27060700 |
| eCl@ss 5.0 | 27400200 |
| eCl@ss 5.1 | 27400200 |
| eCl@ss 6.0 | 27400200 |
| eCl@ss 7.0 | 27400203 |
| eCl@ss 8.0 | 27400204 |
| eCl@ss 9.0 | 27400204 |

Ring cable lug - C-RC 120/M12 DIN - 3240126

Classifications

ETIM

| | |
|----------|----------|
| ETIM 2.0 | EC000005 |
| ETIM 3.0 | EC000005 |
| ETIM 4.0 | EC001052 |
| ETIM 5.0 | EC001052 |
| ETIM 6.0 | EC001052 |
| ETIM 7.0 | EC001052 |

UNSPSC

| | |
|---------------|----------|
| UNSPSC 6.01 | 30211923 |
| UNSPSC 7.0901 | 27121703 |
| UNSPSC 11 | 27121703 |
| UNSPSC 12.01 | 27121703 |
| UNSPSC 13.2 | 27121707 |
| UNSPSC 18.0 | 27121707 |
| UNSPSC 19.0 | 27121707 |
| UNSPSC 20.0 | 27121707 |
| UNSPSC 21.0 | 27121707 |

Approvals


Approvals

Approvals

EAC

Ex Approvals

Approval details

| | | |
|-----|---|---------------|
| EAC |  | EAC-Zulassung |
|-----|---|---------------|