

Ferrule - AI 50 -20 OL - 3201178

Please be informed that the data shown in this PDF Document is generated from our Online Catalog. Please find the complete data in the user's documentation. Our General Terms of Use for Downloads are valid (<http://phoenixcontact.com/download>)




Ferrule, sleeve length: 20 mm, length: 36 mm, color: olive

Your advantages

- The AI 0,25... can also be used to process 0.14 mm² conductors
- The ferrules with plastic sleeve are made from soft tin-plated electrolytic copper
- In terms of dimensions, they correspond to DIN 46228-4: 1990-09

Key Commercial Data

Packing unit	1 pc
Minimum order quantity	50 pc
GTIN	 4 017918 094713
GTIN	4017918094713
Weight per Piece (excluding packing)	3.010 g
Custom tariff number	85369010
Country of origin	Germany

Technical data

Dimensions

Length (b)	36 mm
Maximum stripping length	25 mm
Sleeve length	20 mm
Inner dimension of the insulating collar (d)	15 mm
Ferrule diameter	10.3 mm
Insulating collar thickness	0.6 mm

Ferrule - AI 50 -20 OL - 3201178

Technical data

Dimensions

Sleeve wall thickness	0.35 mm
-----------------------	---------

Ambient conditions

Short-term temperature	120 °C
Max. permanent temperature	105 °C (-40°C no load / 0°C dynamic load)

General

Color	olive
Components	free from silicone and halogen
Flammability rating according to UL 94	HB
Material	CU-DHP
Coating	tin-plated (galvanic)
Conductor category	Stranded conductors, class 2, 5, 6 / B, C, K, M

Standards and Regulations

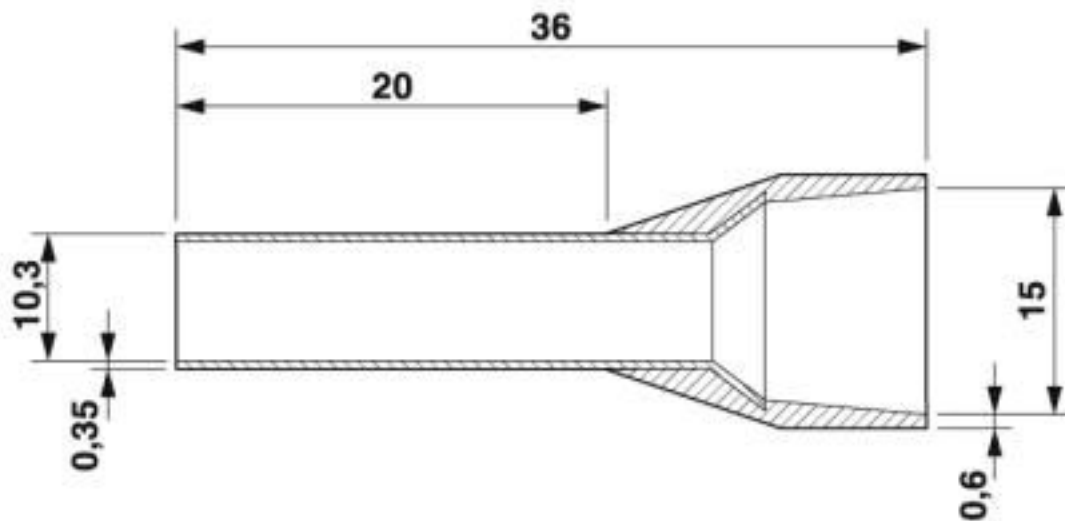
Connection in acc. with standard	CSA
Flammability rating according to UL 94	HB

Environmental Product Compliance

China RoHS	Environmentally friendly use period: unlimited = EFUP-e
	No hazardous substances above threshold values

Drawings

Dimensional drawing



Ferrule - AI 50 -20 OL - 3201178

Classifications

eCl@ss

eCl@ss 10.0.1	27400201
eCl@ss 4.0	27060700
eCl@ss 4.1	27060700
eCl@ss 5.0	27400200
eCl@ss 5.1	27400200
eCl@ss 6.0	27400200
eCl@ss 7.0	27400201
eCl@ss 8.0	27400201
eCl@ss 9.0	27400201

ETIM

ETIM 2.0	EC000005
ETIM 3.0	EC000005
ETIM 4.0	EC000005
ETIM 5.0	EC000005
ETIM 6.0	EC000005
ETIM 7.0	EC000005

UNSPSC

UNSPSC 6.01	30212109
UNSPSC 7.0901	27121703
UNSPSC 11	27121703
UNSPSC 12.01	27121703
UNSPSC 13.2	27121703
UNSPSC 18.0	27121703
UNSPSC 19.0	27121703
UNSPSC 20.0	27121703
UNSPSC 21.0	27121703

Approvals

Approvals

Approvals



CSA / CSAus / cCSAus

Ex Approvals

Ferrule - AI 50 -20 OL - 3201178

Approvals

Approval details

CSA		http://www.csagroup.org/services-industries/product-listing/	247397
CSAus		http://www.csagroup.org/services-industries/product-listing/	247397
cCSAus	