

## Ferrule - AI 50 -20 BU - 3200454

Please be informed that the data shown in this PDF Document is generated from our Online Catalog. Please find the complete data in the user's documentation. Our General Terms of Use for Downloads are valid (<http://phoenixcontact.com/download>)




Ferrule, sleeve length: 20 mm, length: 36 mm, color: blue

### Your advantages

- The AI 0,25.. ferrules can also be used to process 0.14 mm<sup>2</sup> conductors
- The ferrules with plastic sleeve are made from soft tin-plated electrolytic copper
- The insulation reliability of close connections is increased and the splicing of wires is prevented

### Key Commercial Data

|                                      |   |
|--------------------------------------|---|
| Packing unit                         | 1 pc  |
| Minimum order quantity               | 50 pc   |
| GTIN                                 | <br>4 017918 094102 |
| GTIN                                 | 4017918094102   |
| Weight per Piece (excluding packing) | 2.992 g   |
| Custom tariff number                 | 85369010  |
| Country of origin                    | Germany   |

### Technical data

#### Dimensions

|  |         |
|--|---------|
| Length (b)                                   | 36 mm   |
| Maximum stripping length                     | 25 mm   |
| Sleeve length                                | 20 mm   |
| Inner dimension of the insulating collar (d) | 15 mm   |
| Ferrule diameter                             | 10.3 mm |
| Insulating collar thickness                  | 0.6 mm  |

# Ferrule - AI 50 -20 BU - 3200454

## Technical data

### Dimensions

|                       |         |
|-----------------------|---------|
| Sleeve wall thickness | 0.35 mm |
|-----------------------|---------|

### Ambient conditions

|                            |   |
|----------------------------|---|
| Short-term temperature     | 120 °C                                    |
| Max. permanent temperature | 105 °C (-40°C no load / 0°C dynamic load) |

### General

|  |   |
|--|---|
| Color                                  | blue  |
| Components                             | free from silicone and halogen                  |
| Flammability rating according to UL 94 | HB  |
| Material                               | CU-DHP  |
| Coating                                | tin-plated (galvanic)                           |
| Conductor category                     | Stranded conductors, class 2, 5, 6 / B, C, K, M |

### Standards and Regulations

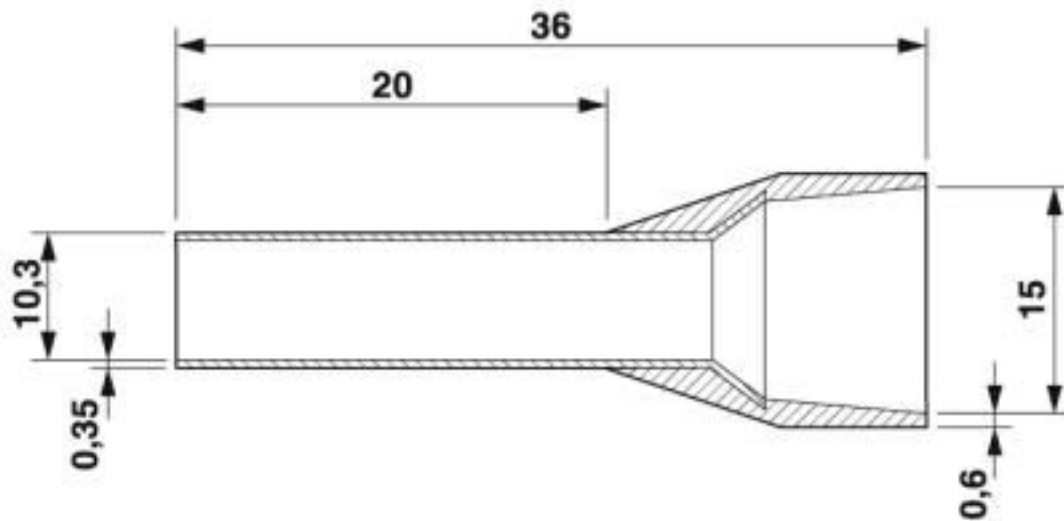
|  |                     |
|--|---------------------|
| Connection in acc. with standard       | CSA                 |
| Flammability rating according to UL 94 | HB                  |
| Design according to standard           | DIN 46228-4:2017-05 |

### Environmental Product Compliance

|            |   |
|------------|---|
| China RoHS | Environmentally friendly use period: unlimited = EFUP-e |
|            | No hazardous substances above threshold values          |

## Drawings

Dimensional drawing



# Ferrule - AI 50 -20 BU - 3200454

## Classifications

### eCl@ss

|               |          |
|---------------|----------|
| eCl@ss 10.0.1 | 27400201 |
| eCl@ss 4.0    | 27060700 |
| eCl@ss 4.1    | 27060700 |
| eCl@ss 5.0    | 27400200 |
| eCl@ss 5.1    | 27400200 |
| eCl@ss 6.0    | 27400200 |
| eCl@ss 7.0    | 27400201 |
| eCl@ss 8.0    | 27400201 |
| eCl@ss 9.0    | 27400201 |

### ETIM

|          |          |
|----------|----------|
| ETIM 2.0 | EC000005 |
| ETIM 3.0 | EC000005 |
| ETIM 4.0 | EC000005 |
| ETIM 5.0 | EC000005 |
| ETIM 6.0 | EC000005 |
| ETIM 7.0 | EC000005 |

### UNSPSC

|               |          |
|---------------|----------|
| UNSPSC 6.01   | 30212109 |
| UNSPSC 7.0901 | 27121703 |
| UNSPSC 11     | 27121703 |
| UNSPSC 12.01  | 27121703 |
| UNSPSC 13.2   | 27121703 |
| UNSPSC 18.0   | 27121703 |
| UNSPSC 19.0   | 27121703 |
| UNSPSC 20.0   | 27121703 |
| UNSPSC 21.0   | 27121703 |

## Approvals

### Approvals

---

Approvals

CSA / UL Listed / cUL Listed / CSAus / cULus Listed / cCSAus

---

Ex Approvals

# Ferrule - AI 50 -20 BU - 3200454

## Approvals

### Approval details

|              |   |   |         |
|--------------|---|---|---------|
| CSA          |    | <a href="http://www.csagroup.org/services-industries/product-listing/">http://www.csagroup.org/services-industries/product-listing/</a>               | 247397  |
| UL Listed    |    | <a href="http://database.ul.com/cgi-bin/XYV/template/LISEXT/1FRAME/index.htm">http://database.ul.com/cgi-bin/XYV/template/LISEXT/1FRAME/index.htm</a> | E488001 |
| cUL Listed   |    | <a href="http://database.ul.com/cgi-bin/XYV/template/LISEXT/1FRAME/index.htm">http://database.ul.com/cgi-bin/XYV/template/LISEXT/1FRAME/index.htm</a> | E488001 |
| CSAus        |   | <a href="http://www.csagroup.org/services-industries/product-listing/">http://www.csagroup.org/services-industries/product-listing/</a>               | 247397  |
| cULus Listed |  |   |         |
| cCSAus       |  |   |         |