

Filler plugs - KDT-ST 11 - 3064001


Please be informed that the data shown in this PDF Document is generated from our Online Catalog. Please find the complete data in the user's documentation. Our General Terms of Use for Downloads are valid (<http://phoenixcontact.com/download>)



Filler plugs, length: 20 mm, diameter: 11 mm, color: black



Key Commercial Data

| | |
|--------------------------------------|---|
| Packing unit | 1 pc |
| Minimum order quantity | 25 pc |
| GTIN |  4 046356 301466 |
| GTIN | 4046356301466 |
| Weight per Piece (excluding packing) | 2.400 g |
| Custom tariff number | 39174000 |
| Country of origin | Germany |

Technical data

Dimensions

| | |
|--------|-------|
| Length | 20 mm |
|--------|-------|

Ambient conditions

| | |
|---------------------------------|--|
| Degree of protection | IP54 (Observe the assembly instructions) |
| Ambient temperature (operation) | -20 °C ... 80 °C |

General

| | |
|---------------------------|--|
| Material | PA |
| Color | black |
| Note | The filler plugs are used to seal unused cable sleeves. |
| Installation instructions | IP54: for vertical sealing frame mounting/for horizontal sealing frame mounting (downward cable outlet direction). |

Filler plugs - KDT-ST 11 - 3064001

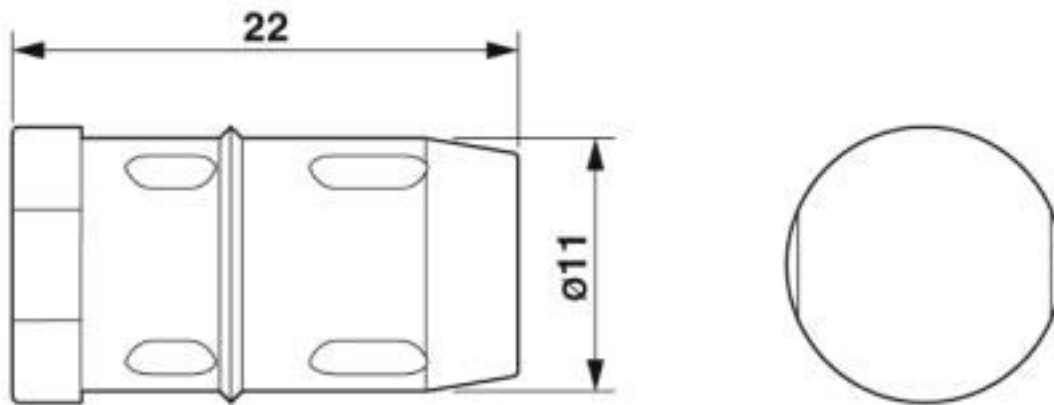
Technical data

Environmental Product Compliance

| | |
|------------|---|
| China RoHS | Environmentally friendly use period: unlimited = EFUP-e |
| | No hazardous substances above threshold values |

Drawings

Dimensional drawing



Dimensional drawing

Classifications

eCl@ss

| | |
|---------------|----------|
| eCl@ss 10.0.1 | 27144433 |
| eCl@ss 4.0 | 27141200 |
| eCl@ss 4.1 | 27141200 |
| eCl@ss 5.0 | 27149100 |
| eCl@ss 5.1 | 27149100 |
| eCl@ss 6.0 | 27149100 |
| eCl@ss 7.0 | 27149110 |
| eCl@ss 8.0 | 27149110 |
| eCl@ss 9.0 | 27144433 |

ETIM

| | |
|----------|----------|
| ETIM 2.0 | EC000451 |
| ETIM 3.0 | EC002302 |
| ETIM 4.0 | EC002302 |
| ETIM 5.0 | EC000032 |

Filler plugs - KDT-ST 11 - 3064001

Classifications

ETIM

| | |
|----------|----------|
| ETIM 6.0 | EC000451 |
| ETIM 7.0 | EC000451 |

UNSPSC

| | |
|---------------|----------|
| UNSPSC 6.01 | 30212109 |
| UNSPSC 7.0901 | 39121708 |
| UNSPSC 11 | 39121708 |
| UNSPSC 12.01 | 39121708 |
| UNSPSC 13.2 | 31161501 |
| UNSPSC 18.0 | 39121311 |
| UNSPSC 19.0 | 39121311 |
| UNSPSC 20.0 | 39121311 |
| UNSPSC 21.0 | 39121311 |