

Filler plugs - KDT-ST 17 - 3062061


Please be informed that the data shown in this PDF Document is generated from our Online Catalog. Please find the complete data in the user's documentation. Our General Terms of Use for Downloads are valid (<http://phoenixcontact.com/download>)



Filler plugs, length: 20 mm, diameter: 17 mm, color: black



Key Commercial Data

Packing unit	1 pc
Minimum order quantity	25 pc
GTIN	 4 046356 309011
GTIN	4046356309011
Weight per Piece (excluding packing)	4.000 g
Custom tariff number	39174000
Country of origin	Germany

Technical data

Dimensions

Length	20 mm
--------	-------

Ambient conditions

Degree of protection	IP54 (Observe the assembly instructions)
Ambient temperature (operation)	-20 °C ... 80 °C

General

Material	PA
Color	black
Note	The filler plugs are used to seal unused cable sleeves.
Installation instructions	IP54: for vertical sealing frame mounting/for horizontal sealing frame mounting (downward cable outlet direction).

Filler plugs - KDT-ST 17 - 3062061

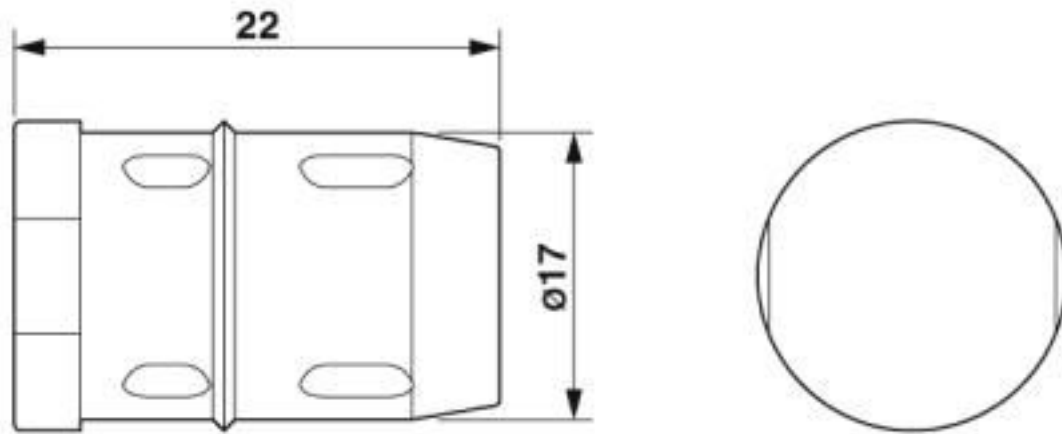
Technical data

Environmental Product Compliance

China RoHS	Environmentally friendly use period: unlimited = EFUP-e
	No hazardous substances above threshold values

Drawings

Dimensional drawing



Dimensional drawing

Classifications

eCl@ss

eCl@ss 10.0.1	27144433
eCl@ss 4.0	27141200
eCl@ss 4.1	27141200
eCl@ss 5.0	27149100
eCl@ss 5.1	27149100
eCl@ss 6.0	27149100
eCl@ss 7.0	27149110
eCl@ss 8.0	27149110
eCl@ss 9.0	27144433

ETIM

ETIM 2.0	EC000451
ETIM 3.0	EC002316
ETIM 4.0	EC002316

Filler plugs - KDT-ST 17 - 3062061

Classifications

ETIM

ETIM 5.0	EC000723
ETIM 6.0	EC000451
ETIM 7.0	EC000451

UNSPSC

UNSPSC 6.01	30212109
UNSPSC 7.0901	39121708
UNSPSC 11	39121708
UNSPSC 12.01	39121708
UNSPSC 13.2	39121708
UNSPSC 18.0	39121311
UNSPSC 19.0	39121311
UNSPSC 20.0	39121311
UNSPSC 21.0	39121311