

Test plugs - PS-4 - 3030970

Please be informed that the data shown in this PDF Document is generated from our Online Catalog. Please find the complete data in the user's documentation. Our General Terms of Use for Downloads are valid (<http://phoenixcontact.com/download>)



Test plugs, Modular test plug, color: red


Your advantages

- The test plugs make contact in the function shaft of terminal blocks from the CLIPLINE complete system
- Test adapters can be assembled individually using PS-... modular test plugs

RoHS

COMPLETE

Key Commercial Data

Packing unit	1 pc
Minimum order quantity	10 pc
GTIN	 4 017918 818913
GTIN	4017918818913
Weight per Piece (excluding packing)	3.190 g
Custom tariff number	85366990
Country of origin	Poland

Technical data

Dimensions

Height	60 mm
Length	22.4 mm
Width	4.2 mm

General

Color	red
Material	PA

Test plugs - PS-4 - 3030970

Technical data

Ambient temperature (operation)	-40 °C ... 125 °C
Conductor cross section solid min.	0.14 mm ²
Conductor cross section solid max.	1.00 mm ²
Conductor cross section AWG min.	26
Conductor cross section AWG max.	17
Conductor cross section flexible min.	0.14 mm ²
Conductor cross section flexible max.	1 mm ²
Min. AWG conductor cross section, flexible	26
Max. AWG conductor cross section, flexible	17
Conductor cross section flexible, with ferrule with plastic sleeve min.	0.25 mm ²
Value	0.25 mm ²
Conductor cross section flexible, with ferrule with plastic sleeve max.	0.75 mm ²
Value	0.75 mm ²
Conductor cross section flexible, with ferrule without plastic sleeve min.	0.25 mm ²
Value	0.25 mm ²
Conductor cross section flexible, with ferrule without plastic sleeve max.	0.75 mm ²
Value	0.75 mm ²

Standards and Regulations

Flammability rating according to UL 94	V0
--	----

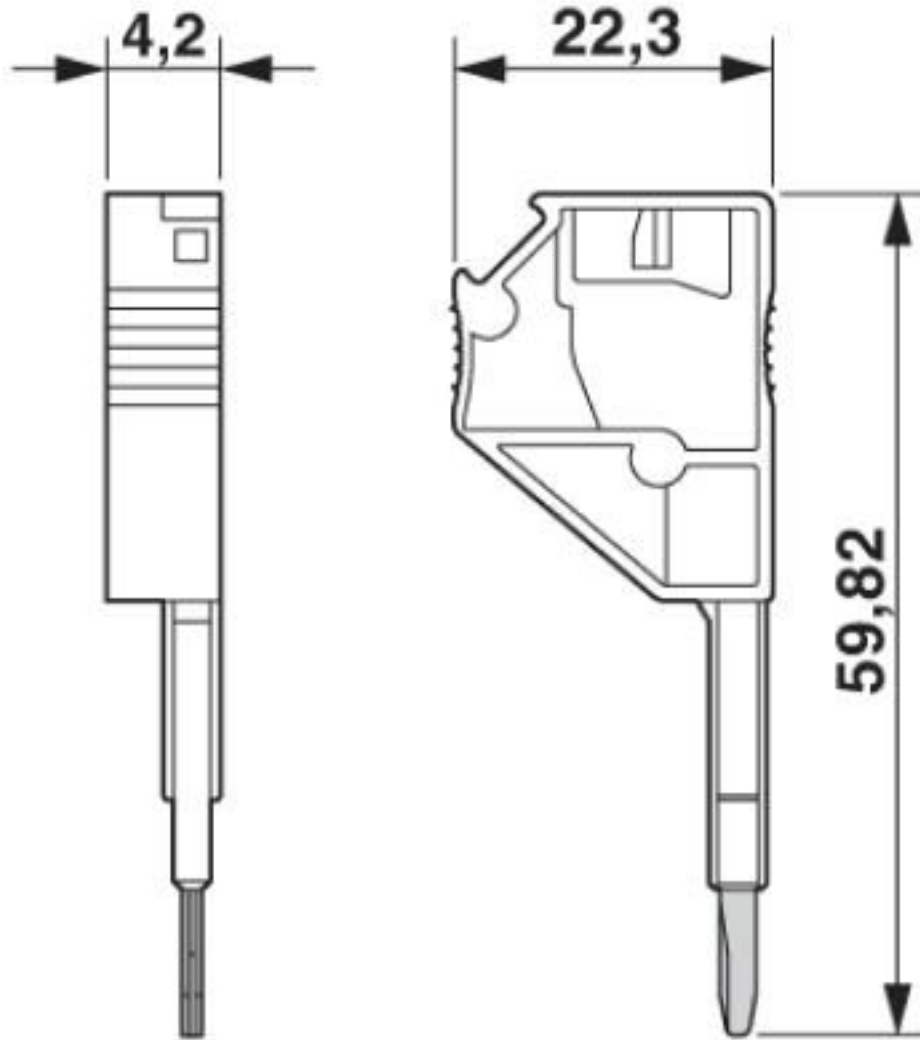
Environmental Product Compliance

China RoHS	Environmentally Friendly Use Period = 50 years
	For details about hazardous substances go to tab "Downloads", Category "Manufacturer's declaration"

Drawings

Test plugs - PS-4 - 3030970

Dimensional drawing



Classifications

eCl@ss

eCl@ss 10.0.1	27141148
eCl@ss 4.0	27141100
eCl@ss 4.1	27141100
eCl@ss 5.0	27141100
eCl@ss 5.1	27141100
eCl@ss 6.0	27141100
eCl@ss 7.0	27141148

Test plugs - PS-4 - 3030970

Classifications

eCl@ss

eCl@ss 8.0	27141148
eCl@ss 9.0	27141148

ETIM

ETIM 2.0	EC000897
ETIM 3.0	EC000897
ETIM 4.0	EC002255
ETIM 5.0	EC002555
ETIM 6.0	EC002555
ETIM 7.0	EC002555

UNSPSC

UNSPSC 6.01	30211812
UNSPSC 7.0901	39121410
UNSPSC 11	39121411
UNSPSC 12.01	39121411
UNSPSC 13.2	20122006
UNSPSC 18.0	20122006
UNSPSC 19.0	20122006
UNSPSC 20.0	20122006
UNSPSC 21.0	20122006

Approvals


Approvals

Approvals

EAC / EAC / EAC

Ex Approvals

Approval details

EAC		EAC-Zulassung
-----	---	---------------

Test plugs - PS-4 - 3030970

Approvals

EAC		RU C- DE.A*30.B.01742
-----	---	--------------------------

EAC		RU C- DE.BL08.B.00511
-----	---	--------------------------

Accessories

Accessories

Partition plate

Spacer plate - DP PS-4 - 3036712



Spacer plate, length: 22.4 mm, width: 4.2 mm, height: 29 mm, number of positions: 1, color: red