

Support bracket - AB-SK 65 - 3026489

Please be informed that the data shown in this PDF Document is generated from our Online Catalog. Please find the complete data in the user's documentation. Our General Terms of Use for Downloads are valid (<http://phoenixcontact.com/download>)

Support bracket, Bracket for busbars, set every 20 cm, length: 95.5 mm, width: 6.2 mm, number of positions: 1, color: gray




Your advantages

- The AB-SK single-sided shield supports are particularly suitable for space-saving conductor connection for terminal blocks and devices with lateral cable entry
- Available in two lengths
- For mounting SK shield connection clamps



Key Commercial Data

Packing unit	1 pc
Minimum order quantity	10 pc
GTIN	 4 017918 157128
GTIN	4017918157128
Weight per Piece (excluding packing)	18.470 g
Custom tariff number	85389099
Country of origin	Poland

Technical data

Dimensions

Length (b)	95.5 mm
Width (a)	6.2 mm

General

Color	gray
Flammability rating according to UL 94	V0

Support bracket - AB-SK 65 - 3026489

Technical data

General

Material	PA
Insulating material	PA

Standards and Regulations

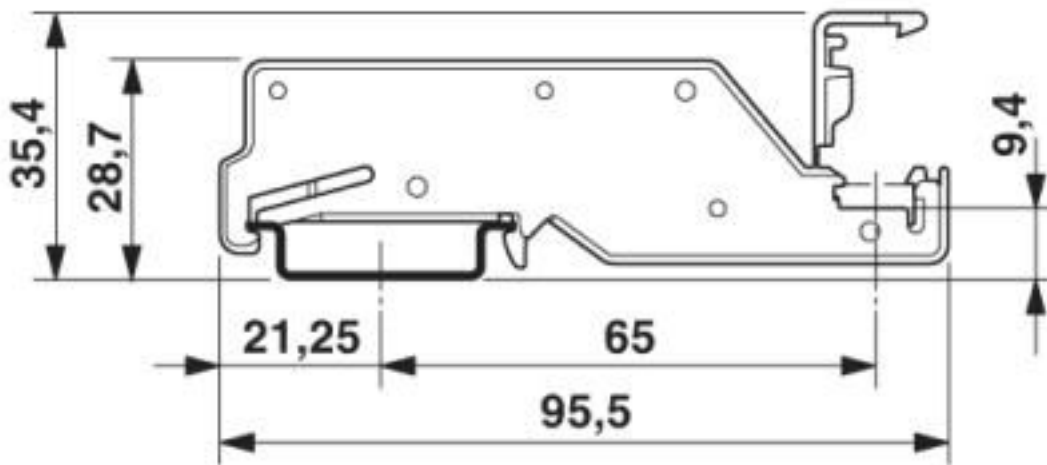
Flammability rating according to UL 94	V0
--	----

Environmental Product Compliance

China RoHS	Environmentally friendly use period: unlimited = EFUP-e
	No hazardous substances above threshold values

Drawings

Dimensional drawing



Classifications

eCl@ss

eCl@ss 10.0.1	27400607
eCl@ss 4.0	23150300
eCl@ss 4.1	23150300
eCl@ss 5.0	27141100
eCl@ss 5.1	27141100
eCl@ss 6.0	27400600
eCl@ss 7.0	27400607
eCl@ss 8.0	27400607
eCl@ss 9.0	27400607

Support bracket - AB-SK 65 - 3026489

Classifications

ETIM

ETIM 2.0	EC000761
ETIM 3.0	EC000761
ETIM 4.0	EC002270
ETIM 5.0	EC001166
ETIM 6.0	EC001166
ETIM 7.0	EC001166

UNSPSC

UNSPSC 6.01	30212109
UNSPSC 7.0901	39121708
UNSPSC 11	39121708
UNSPSC 12.01	39121708
UNSPSC 13.2	39121708
UNSPSC 18.0	39121708
UNSPSC 19.0	39121708
UNSPSC 20.0	39121708
UNSPSC 21.0	39121708