

Switching amplifier - EMG 12-TR/INV - 2943437


Please be informed that the data shown in this PDF Document is generated from our Online Catalog. Please find the complete data in the user's documentation. Our General Terms of Use for Downloads are valid (<http://phoenixcontact.com/download>)



Inverter module. The inverter module inverts the signals of ground switching n-p-n transistor outputs into plus switching p-n-p outputs, and vice versa.



Key Commercial Data

Packing unit	1 pc
Minimum order quantity	10 pc
GTIN	 4 017918 081089
GTIN	4017918081089
Weight per Piece (excluding packing)	32.660 g
Custom tariff number	85364190
Country of origin	Germany

Technical data

Note

Utilization restriction	EMC: class A product, see manufacturer's declaration in the download area
-------------------------	---

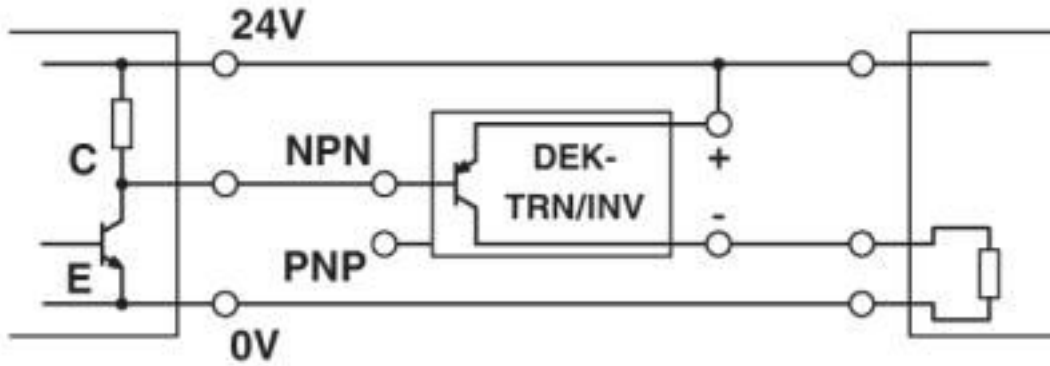
Environmental Product Compliance

REACH SVHC	Lead 7439-92-1
China RoHS	Environmentally Friendly Use Period = 50 years
	For details about hazardous substances go to tab "Downloads", Category "Manufacturer's declaration"

Drawings

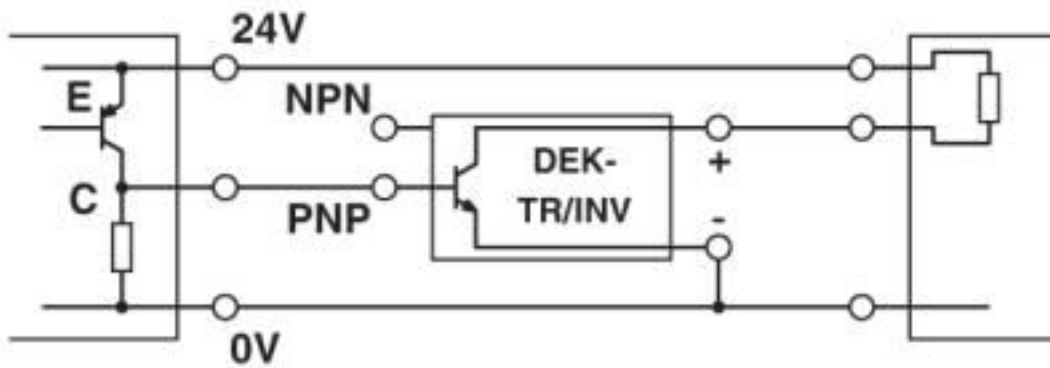
Switching amplifier - EMG 12-TR/INV - 2943437

Application drawing



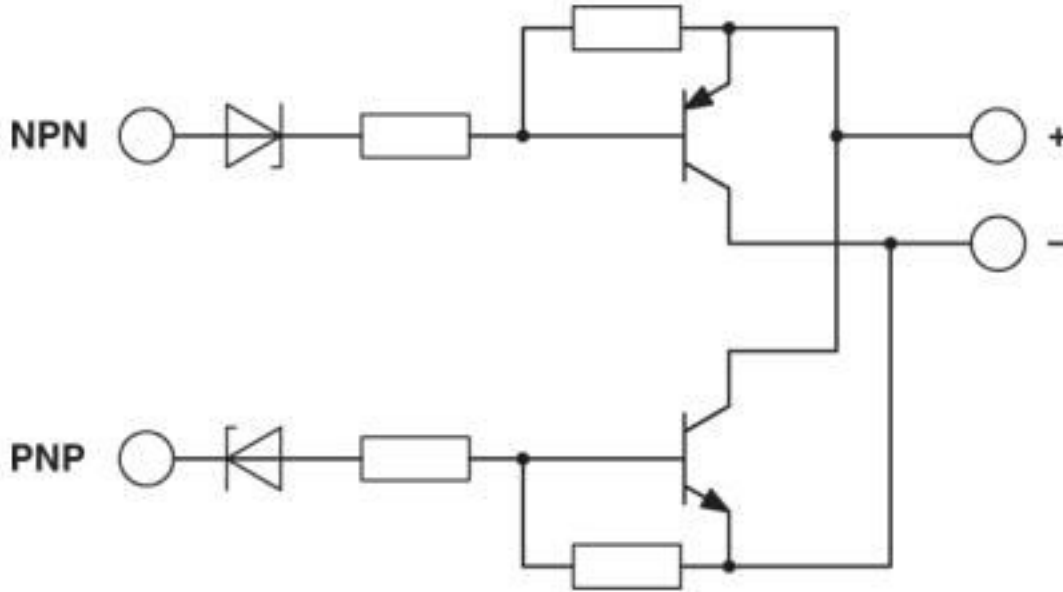
a = NPN output
b = load

Application drawing



Switching amplifier - EMG 12-TR/INV - 2943437

Circuit diagram



Classifications

eCl@ss

eCl@ss 10.0.1	27371692
eCl@ss 4.0	27371100
eCl@ss 4.1	27371100
eCl@ss 5.0	27371600
eCl@ss 5.1	27371600
eCl@ss 6.0	27379200
eCl@ss 7.0	27379208
eCl@ss 8.0	27379208
eCl@ss 9.0	27371692

ETIM

ETIM 4.0	EC002586
ETIM 5.0	EC002586
ETIM 6.0	EC002586
ETIM 7.0	EC002586

UNSPSC

UNSPSC 6.01	30211916
UNSPSC 7.0901	39121515

Switching amplifier - EMG 12-TR/INV - 2943437

Classifications

UNSPSC

UNSPSC 11	39121515
UNSPSC 12.01	39121515
UNSPSC 13.2	39121515
UNSPSC 18.0	39122335
UNSPSC 19.0	39122335
UNSPSC 20.0	39122335
UNSPSC 21.0	39122335

Approvals


Approvals

Approvals

EAC

Ex Approvals

Approval details

EAC		RU*DE*08.B.01841/19
-----	---	---------------------
