

## Current transducers - MCR-S-20-100-UI-DCI - 2908798


Please be informed that the data shown in this PDF Document is generated from our Online Catalog. Please find the complete data in the user's documentation. Our General Terms of Use for Downloads are valid (<http://phoenixcontact.com/download>)



MCR current measuring transducer, programmable and configurable, for measuring direct, alternating and distorted currents, input current 0...20 to 0...100 A, unconfigured



### Key Commercial Data

Packing unit	1 pc
GTIN	 4 055626 343662
GTIN	4055626343662
Weight per Piece (excluding packing)	180.000 g
Custom tariff number	85437090
Country of origin	Germany

### Technical data

#### Note

Utilization restriction	EMC: class A product, see manufacturer's declaration in the download area
-------------------------	---

#### Dimensions

Width	22.5 mm
Height	99 mm
Depth	114.5 mm

#### Ambient conditions

Ambient temperature (operation)	-20 °C ... 60 °C
Ambient temperature (storage/transport)	-40 °C ... 85 °C
Maximum altitude	< 2000 m
Degree of protection	IP20

## Current transducers - MCR-S-20-100-UI-DCI - 2908798

### Technical data

#### Ambient conditions

Noise immunity	EN 61000-6-2
----------------	--------------

#### Input data

Input	Current measuring input
Configurable/programmable	Yes, unconfigured
Input current range	0 A AC ... 100 A AC ( $\pm$ 100 A DC)
Operate threshold	1 % (of measuring range nominal value 100 A)
Setting range for min. input current	0 A ... 19 A
Setting range for max. input current	0 A ... 100 A
Impulse form	AC, DC or distorted currents
Overload capacity	Depending on through connected conductor
Surge strength	Depending on through connected conductor
Frequency measuring range	15 Hz ... 400 Hz
Connection method	Through connection, diameter 10.5 mm

#### Output data

Output name	Voltage output / current output
Configurable/programmable	Yes, unconfigured
Voltage output signal	0 V ... 10 V
	5 V ... 1 V
	5 V ... -5 V
	2 V ... 10 V
	-10 V ... 10 V
	0 V ... 5 V
	1 V ... 5 V
	-5 V ... 5 V
	10 V ... 0 V
	10 V ... 2 V
	10 V ... -10 V
	5 V ... 0 V
Current output signal	0 mA ... 20 mA
	4 mA ... 20 mA
	20 mA ... 0 mA
	20 mA ... 4 mA
Load/output load voltage output	> 10 k $\Omega$
Load/output load current output	< 500 $\Omega$

#### Switching output

Output name	No switching output
-------------	---------------------

# Current transducers - MCR-S-20-100-UI-DCI - 2908798

## Technical data

### Power supply

Supply voltage range	20 V DC ... 30 V DC
Max. current consumption	< 40 mA (without load)

### Connection data

Connection method	Screw connection
Stripping length	8 mm
Screw thread	M3
Conductor cross section solid	0.2 mm <sup>2</sup> ... 2.5 mm <sup>2</sup>
Conductor cross section flexible	0.2 mm <sup>2</sup> ... 2.5 mm <sup>2</sup>
Conductor cross section AWG	24 ... 14

### General

Maximum transmission error	< 0.5 % (of nominal range value under nominal conditions)
Temperature coefficient, typical	< 0.025 %/K
Step response (10-90%)	330 ms (AC)
	40 ms (DC)
Status display	Green LED
Overvoltage category	III
Degree of pollution	2
Rated insulation voltage	300 V AC (to earth)
Test voltage input/output	4 kV (50 Hz, 1 min.)
Test voltage input/power supply	4 kV (50 Hz, 1 min.)
Test voltage output/power supply	500 V (50 Hz, 1 min.)
Electromagnetic compatibility	Conformance with EMC directive
Noise emission	EN 61000-6-4
Noise immunity	EN 61000-6-2
Color	green
Housing material	Polyamide PA non-reinforced
Mounting position	any

### Standards and Regulations

Electromagnetic compatibility	Conformance with EMC directive
Noise emission	EN 61000-6-4
Noise immunity	EN 61000-6-2
Low Voltage Directive	Conformance with Low Voltage Directive
Conformance	CE-compliant
UL, USA/Canada	Class I, Zone 2, AEx nA nC IIC T4, Ex nA nC IIC T4 Gc X
	Class I, Div. 2, Groups A, B, C and D or Non-Hazardous Locations Only

# Current transducers - MCR-S-20-100-UI-DCI - 2908798

## Technical data

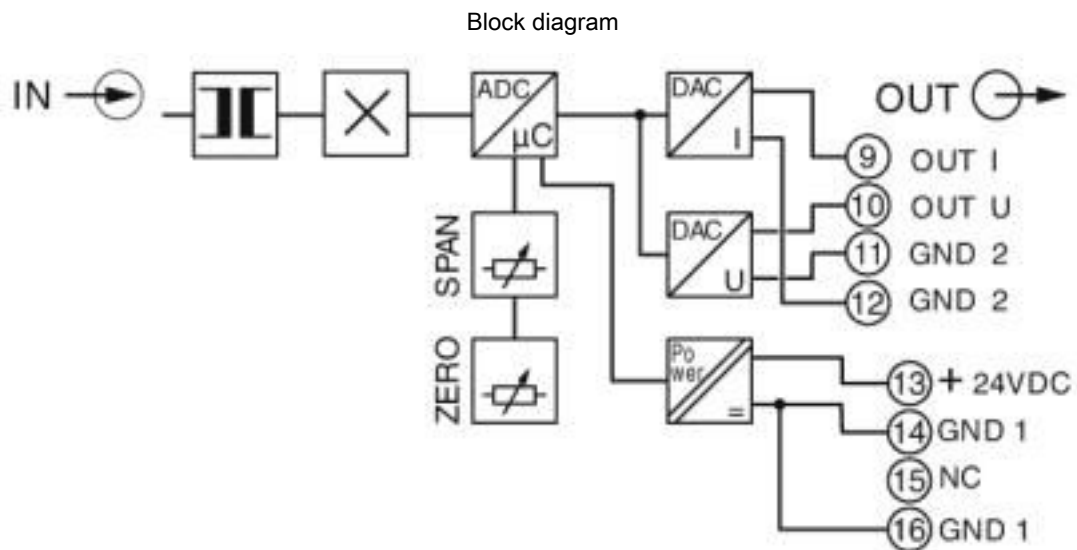
### Conformance/approvals

Designation	CE
Identification	CE-compliant
Designation	UL, USA/Canada
Identification	Class I, Zone 2, AEx nA nC IIC T4, Ex nA nC IIC T4 Gc X
	Class I, Div. 2, Groups A, B, C and D or Non-Hazardous Locations Only

### Environmental Product Compliance

REACH SVHC	Lead 7439-92-1
------------	----------------

## Drawings



## Classifications

### eCl@ss

eCl@ss 5.0	27210190
eCl@ss 5.1	27210190
eCl@ss 6.0	27210100
eCl@ss 7.0	27210123
eCl@ss 8.0	27210123
eCl@ss 9.0	27210123

### ETIM

ETIM 3.0	EC002475
----------	----------

# Current transducers - MCR-S-20-100-UI-DCI - 2908798

## Classifications

### ETIM

ETIM 4.0	EC002475
ETIM 5.0	EC002475
ETIM 6.0	EC002475
ETIM 7.0	EC002475

### UNSPSC

UNSPSC 6.01	30211506
UNSPSC 7.0901	39121008
UNSPSC 11	39121008
UNSPSC 12.01	39121008
UNSPSC 13.2	39121032
UNSPSC 18.0	39121032
UNSPSC 19.0	39121032
UNSPSC 20.0	39121032
UNSPSC 21.0	39121032

## Approvals

### Approvals

---

Approvals

EAC

---

Ex Approvals

---

### Approval details

EAC		RU*DE.*08.B.01536/19
-----	---	----------------------