

Type 2 surge arrester - BLT-T2-320-UT - 2906100

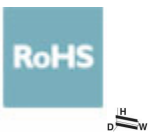
Please be informed that the data shown in this PDF Document is generated from our Online Catalog. Please find the complete data in the user's documentation. Our General Terms of Use for Downloads are valid (<http://phoenixcontact.com/download>)




Type 2 surge arrester for universal mounting in lights and cable connection boxes. Specifically for insulation class II with optical fault indication. Installation in branch or through wiring. Version: 230 V AC

Your advantages

- L' signalizes the failure of the surge protective device due to disconnection of the power supply to the lights.
- Universal use for street, tunnel or object lighting
- Flexible installation
- Fixed via integrated elongated holes
- compact design
- Optical status indicator
- Stub or through-wiring connection
- Double or reinforced insulation



Key Commercial Data

Packing unit	1
GTIN	 4 055626 058078
GTIN	4055626058078
Custom tariff number	85363030

Technical data

Dimensions

Height	56 mm
Width	36.5 mm
Depth	34 mm

Ambient conditions

Type 2 surge arrester - BLT-T2-320-UT - 2906100

Technical data

Ambient conditions

Degree of protection	IP20
Ambient temperature (operation)	-40 °C ... 80 °C
Ambient temperature (storage/transport)	-40 °C ... 80 °C
Altitude	≤ 2000 m (amsl (above mean sea level))
Permissible humidity (operation)	5 % ... 95 %

General

IEC test classification	II / III
	T2 / T3
EN type	T2 / T3
IEC power supply system	TT
	TN-C
	IT
Mode of protection	L-N
Mounting type	4 mm screw
Color	light grey RAL 7035
Housing material	PA 6.6
Degree of pollution	2
Flammability rating according to UL 94	V-0
Protection class	II
Type	Installation module
Surge protection fault message	optical

Protective circuit

Nominal voltage U_N	100 V AC ... 277 V AC
Nominal frequency f_N	50 Hz (60 Hz)
Maximum continuous voltage U_C	320 V AC
Rated load current I_L	16 A
Nominal discharge current I_n (8/20) μ s	5 kA
Maximum discharge current I_{max} (8/20) μ s	10 kA
Combination wave U_{OC}	10 kV
Short-circuit current rating I_{SCCR}	3 kA
Voltage protection level U_p	≤ 1.3 kV
Residual voltage U_{res}	≤ 1.3 kV (at I_n)
	≤ 1.3 kV (at U_{OC})
TOV behavior at U_T	400 V AC (5 s / withstand mode)
	528 V AC (120 min / safe failure mode)
Response time t_A	≤ 25 ns

Type 2 surge arrester - BLT-T2-320-UT - 2906100

Technical data

Protective circuit

Max. backup fuse with V-type through wiring	16 A (MCB B/C)
Max. backup fuse with branch wiring	16 A (MCB B/C)

Connection data

Connection method	Screw terminal blocks
Screw thread	M3
Tightening torque	0.6 Nm
2 conductors with same cross section, stranded min.	0.2 mm ²
2 conductors with same cross section, stranded max.	1.5 mm ²
Conductor cross section flexible	0.2 mm ² ... 2.5 mm ²
2 conductors with same cross section, solid min.	0.2 mm ²
2 conductors with same cross section, solid max.	1.5 mm ²
Conductor cross section solid	0.2 mm ² ... 4 mm ²

Standards and Regulations

Standards/regulations	IEC 61643-11 2011
	EN 61643-11 2012

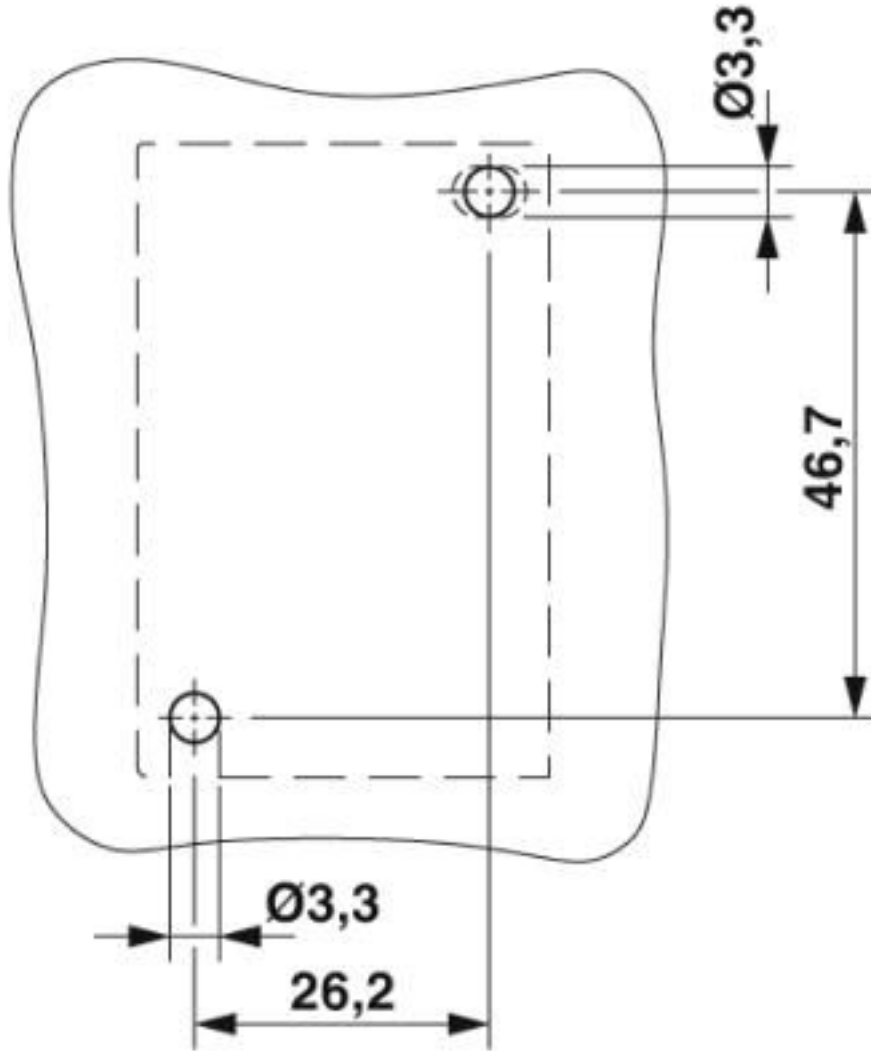
Environmental Product Compliance

REACH SVHC	Lead 7439-92-1
------------	----------------

Drawings

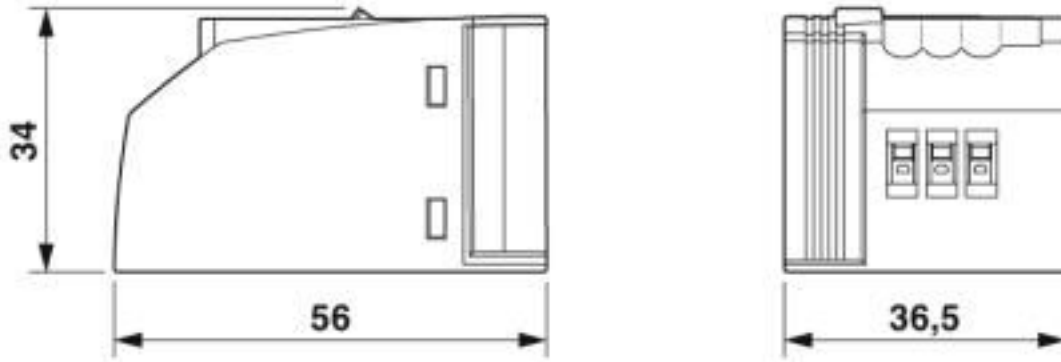
Type 2 surge arrester - BLT-T2-320-UT - 2906100

Drilling diagram

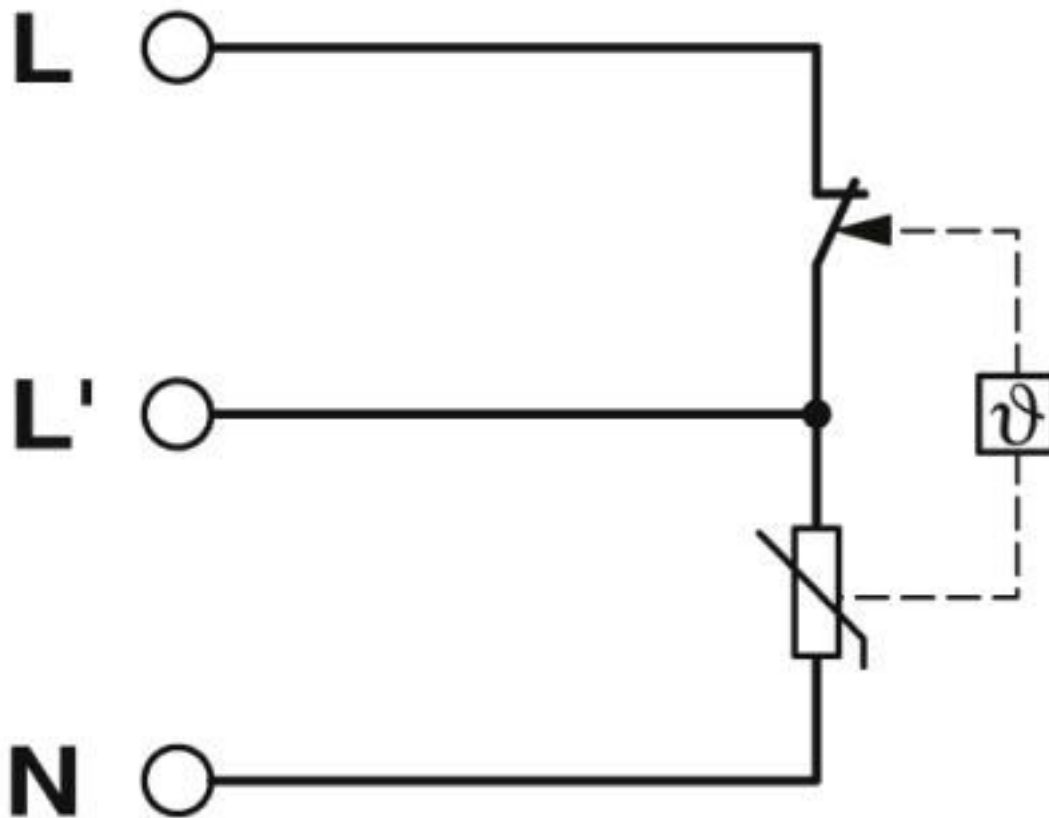


Type 2 surge arrester - BLT-T2-320-UT - 2906100

Dimensional drawing



Circuit diagram



Classifications

eCl@ss

eCl@ss 10.0.1	27130805
---------------	----------

Type 2 surge arrester - BLT-T2-320-UT - 2906100

Classifications

eCl@ss

eCl@ss 4.0	27130800
eCl@ss 4.1	27130800
eCl@ss 5.0	27130800
eCl@ss 5.1	27130800
eCl@ss 6.0	27130800
eCl@ss 7.0	27130805
eCl@ss 8.0	27130805
eCl@ss 9.0	27130805

ETIM

ETIM 5.0	EC000941
ETIM 6.0	EC000941
ETIM 7.0	EC000941

UNSPSC

UNSPSC 13.2	39121620
UNSPSC 18.0	39121620
UNSPSC 19.0	39121620
UNSPSC 20.0	39121620
UNSPSC 21.0	39121620

Approvals

Approvals

Approvals

CCA / KEMA-KEUR / IECCEB Scheme / EAC

Ex Approvals


Approval details

CCA	NTR-NL 7418
-----	-------------

KEMA-KEUR		http://www.dekra-certification.com	2179938.01
-----------	---	---	------------

Type 2 surge arrester - BLT-T2-320-UT - 2906100

Approvals

IECEE CB Scheme		http://www.iecee.org/	NL-36565
-----------------	---	---	----------

EAC			RU C- DE.A*30.B01561
-----	---	--	-------------------------