

Power and error message module - TC-MACX-MCR-PTB - 2904673

Please be informed that the data shown in this PDF Document is generated from our Online Catalog. Please find the complete data in the user's documentation. Our General Terms of Use for Downloads are valid (<http://phoenixcontact.com/download>)



Power and fault signaling module with screw connection, only for use on the Termination Carrier, excluding corresponding DIN rail bus connector

Your advantages

- ✓ Simple or redundant supply, decoupled from diode, protected against polarity reversal
- ✓ Installation in zone 2 permitted (protection type "n" according to EN 60079-15)
- ✓ Error message in the event of energy supply failure or fuse fault, can be selected and deselected via DIP switch
- ✓ Bus cable error message for MACX MCR-...(2)NAM... devices connected via DIN rail connectors, can be selected and deselected via DIP switch
- ✓ Relay output (PDT) and flashing LED for error messages
- ✓ Supply current up to 2 A (max. 2 x 2,5 AT backup fuse required)
- ✓ May only be used on the Termination Carrier
- ✓ Undervoltage detection at the input, can be selected and deselected via DIP switch (set to 19.2 V supply voltage)



Key Commercial Data

Packing unit	1 pc
GTIN	 4 046356 892407
GTIN	4046356892407
Custom tariff number	90303370
Country of origin	Germany

Technical data

Note

Utilization restriction	EMC: class A product, see manufacturer's declaration in the download area
-------------------------	---

Dimensions

Power and error message module - TC-MACX-MCR-PTB - 2904673

Technical data

Dimensions

Width	24.2 mm
Height	103.6 mm
Depth	113.7 mm

Ambient conditions

Flammability rating according to UL 94	V0 (Housing)
Ambient temperature (operation)	-20 °C ... 60 °C (only on Termination Carrier)
Ambient temperature (storage/transport)	-40 °C ... 80 °C
Permissible humidity (operation)	5 % ... 95 % (non-condensing)
Degree of pollution	2

General

Housing material	Polyamide (PA 6.6)
------------------	--------------------

Standards and Regulations

Electromagnetic compatibility	Conformance with EMC directive
Noise emission	EN 61000-6-4
Designation	Conducted interferences
Standards/regulations	EN 61000-4-6
Evaluation criterion	A
Conformance	CE-compliant
ATEX	# II 3 G Ex ec nC IIC T4 Gc X
UL, USA/Canada	UL 61010 Listed
	Class I, Div. 2, Groups A, B, C, D T5
	Class I, Zone 2, Group IIC

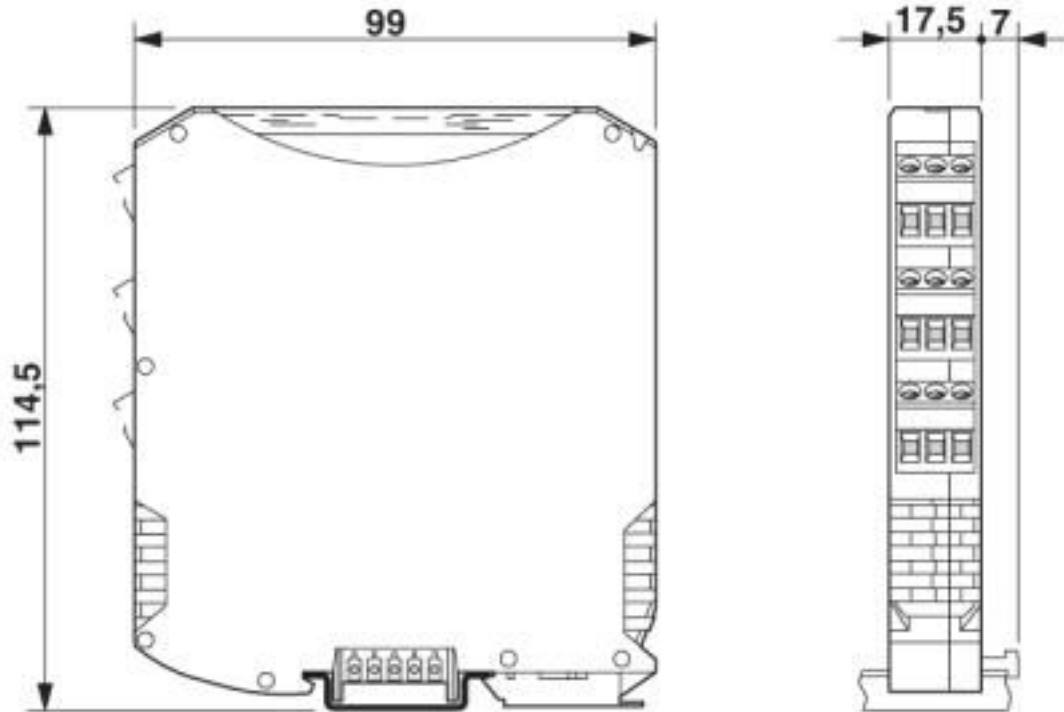
Environmental Product Compliance

REACH SVHC	Lead 7439-92-1
China RoHS	Environmentally Friendly Use Period = 50 years
	For details about hazardous substances go to tab "Downloads", Category "Manufacturer's declaration"

Drawings

Power and error message module - TC-MACX-MCR-PTB - 2904673

Dimensional drawing



Classifications

eCl@ss

eCl@ss 10.0.1	27371392
eCl@ss 4.0	27378000
eCl@ss 4.1	27378000
eCl@ss 5.0	27379100
eCl@ss 5.1	27379100
eCl@ss 6.0	27379200
eCl@ss 7.0	27379201
eCl@ss 8.0	27379201
eCl@ss 9.0	27379201

ETIM

ETIM 4.0	EC002498
ETIM 5.0	EC002498
ETIM 6.0	EC002498
ETIM 7.0	EC002498

Power and error message module - TC-MACX-MCR-PTB - 2904673

Classifications

UNSPSC

UNSPSC 6.01	30211506
UNSPSC 7.0901	39121008
UNSPSC 11	39121008
UNSPSC 12.01	39121008
UNSPSC 13.2	32151602
UNSPSC 18.0	39121421
UNSPSC 19.0	39121421
UNSPSC 20.0	39121421
UNSPSC 21.0	39121421

Approvals

Approvals


Approvals


UL Listed / cUL Listed / EAC / cULus Listed

Ex Approvals

ATEX


Approval details

UL Listed		http://database.ul.com/cgi-bin/XYV/template/LISEXT/1FRAME/index.htm	FILE E 330267
Nominal voltage UN		33 V	
Nominal current IN		2 A	

cUL Listed		http://database.ul.com/cgi-bin/XYV/template/LISEXT/1FRAME/index.htm	FILE E 330267
Nominal voltage UN		33 V	
Nominal current IN		2 A	

Power and error message module - TC-MACX-MCR-PTB - 2904673

Approvals

EAC		RU*DE.*08.B.01536/19
-----	---	----------------------

cULus Listed	
--------------	---