

## Passive module - VIP-2/PT/FLK50/16/SLC500 - 2904287


Please be informed that the data shown in this PDF Document is generated from our Online Catalog. Please find the complete data in the user's documentation. Our General Terms of Use for Downloads are valid (<http://phoenixcontact.com/download>)



VARIOFACE termination board to transmit max. 16 channels, with push-in connection, only in connection with FLKM 50-PA-SLC 500 OUT/2 A



### Key Commercial Data

Packing unit	1 pc
GTIN	 4 046356 813747
GTIN	4046356813747
Weight per Piece (excluding packing)	172.400 g
Custom tariff number	85366990
Country of origin	United States

### Technical data

#### Dimensions

Width	92.7 mm
Height	72.1 mm
Depth	56 mm

#### Ambient conditions

Ambient temperature (operation)	-20 °C ... 50 °C
Ambient temperature (storage/transport)	-20 °C ... 70 °C

#### General

Max. permissible operating voltage	25 V AC
	60 V DC
Max. perm. current (per branch)	1 A

## Passive module - VIP-2/PT/FLK50/16/SLC500 - 2904287

### Technical data

#### General

Max. permissible current (separate power supply)	2 A (per channel)
Number of positions	50
Status display	No
Mounting position	any

#### Connection data

Connection name	Field level
Connection method	Push-in connection
Stripping length	8 mm
Conductor cross section solid	0.14 mm <sup>2</sup> ... 2.5 mm <sup>2</sup>
Conductor cross section flexible	0.14 mm <sup>2</sup> ... 2.5 mm <sup>2</sup>
Conductor cross section AWG	26 ... 14

#### Connection data 2

Connection name	Controller level
Connection method	IDC/FLK pin strip
Number of connections	1
Number of positions	50
Pitch	2.54 mm

#### Supported controller

Controller	ALLEN-BRADLEY SLC 500
- suitable I/O card	1746 OA16
	1746 OW16

#### Standards and Regulations

Connection in acc. with standard	CSA
Standards/regulations	EN 50178
Pollution degree	2
Overvoltage category	II
Flammability rating according to UL 94	V0

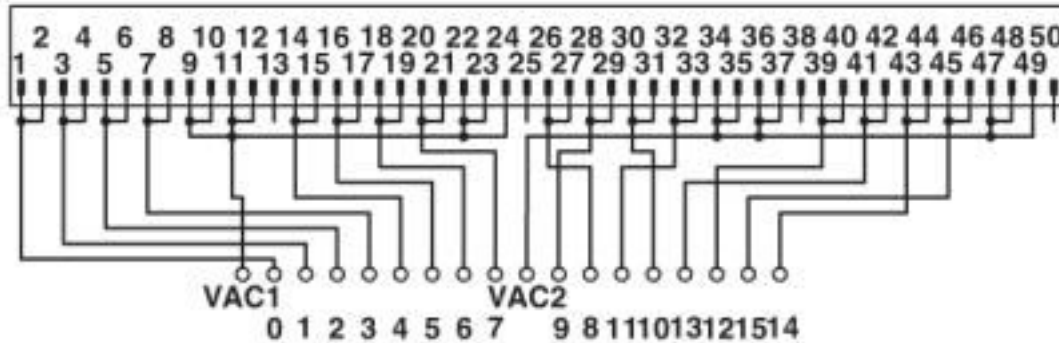
#### Environmental Product Compliance

China RoHS	Environmentally Friendly Use Period = 50 years
	For details about hazardous substances go to tab "Downloads", Category "Manufacturer's declaration"

### Drawings

# Passive module - VIP-2/PT/FLK50/16/SLC500 - 2904287

Circuit diagram



Connection scheme VIP-2/.../FLK50/16/SLC500

## Classifications

eCl@ss

eCl@ss 10.0.1	27141152
eCl@ss 4.0	27250300
eCl@ss 4.1	27250300
eCl@ss 5.0	27250300
eCl@ss 5.1	27250300
eCl@ss 6.0	27242600
eCl@ss 7.0	27141152
eCl@ss 8.0	27141152
eCl@ss 9.0	27141152

ETIM

ETIM 4.0	EC002780
ETIM 5.0	EC002780
ETIM 6.0	EC002780
ETIM 7.0	EC002780

UNSPSC

UNSPSC 6.01	30211824
UNSPSC 7.0901	39121421
UNSPSC 11	39121421
UNSPSC 12.01	39121421
UNSPSC 13.2	39121432
UNSPSC 18.0	39121432
UNSPSC 19.0	39121432

# Passive module - VIP-2/PT/FLK50/16/SLC500 - 2904287

## Classifications

### UNSPSC

UNSPSC 20.0	39121432
UNSPSC 21.0	39121432

## Approvals


### Approvals


#### Approvals


CSA / UL Recognized / cUL Recognized / cULus Recognized

#### Ex Approvals

### Approval details

CSA		<a href="http://www.csagroup.org/services-industries/product-listing/">http://www.csagroup.org/services-industries/product-listing/</a>	2122203
Nominal voltage UN		125 V	
Nominal current IN		1 A	
mm <sup>2</sup> /AWG/kcmil		26-14	

UL Recognized		<a href="http://database.ul.com/cgi-bin/XYV/template/LISEXT/1FRAME/index.htm">http://database.ul.com/cgi-bin/XYV/template/LISEXT/1FRAME/index.htm</a>	FILE E 238705
Nominal voltage UN		125 V	
Nominal current IN		1 A	
mm <sup>2</sup> /AWG/kcmil		26-14	

cUL Recognized		<a href="http://database.ul.com/cgi-bin/XYV/template/LISEXT/1FRAME/index.htm">http://database.ul.com/cgi-bin/XYV/template/LISEXT/1FRAME/index.htm</a>	FILE E 238705
Nominal voltage UN		125 V	
Nominal current IN		1 A	

## Passive module - VIP-2/PT/FLK50/16/SLC500 - 2904287

### Approvals

mm <sup>2</sup> /AWG/kcmil	26-14

cULus Recognized	
------------------	---