

## Interface module - VIP-3/PT/D50SUB/M/LED - 2904262

Please be informed that the data shown in this PDF Document is generated from our Online Catalog. Please find the complete data in the user's documentation. Our General Terms of Use for Downloads are valid (<http://phoenixcontact.com/download>)



VARIOFACE module, with push-in connections and D-SUB miniature pin strip, for mounting on NS 35 rails, with LED, 50-pos.



### Key Commercial Data

Packing unit	1 pc
GTIN	
GTIN	4046356813396
Weight per Piece (excluding packing)	260.000 g
Custom tariff number	85366990
Country of origin	United States

### Technical data

#### Dimensions

Width	97.7 mm
Height	75.8 mm
Depth	63 mm

#### Ambient conditions

Ambient temperature (operation)	-20 °C ... 45 °C
Ambient temperature (storage/transport)	-20 °C ... 70 °C

#### General

Nominal voltage $U_N$	24 V DC
Max. perm. current (per branch)	1 A
Number of positions	50

## Interface module - VIP-3/PT/D50SUB/M/LED - 2904262

### Technical data

#### General

Status display	LED
Mounting position	any

#### Connection data

Connection name	Field level
Connection method	Push-in connection
Stripping length	8 mm
Conductor cross section solid	0.14 mm <sup>2</sup> ... 2.5 mm <sup>2</sup>
Conductor cross section flexible	0.14 mm <sup>2</sup> ... 2.5 mm <sup>2</sup>
Conductor cross section AWG	26 ... 14

#### Connection data 2

Connection name	Controller level
Connection method	D-SUB pin strip
Number of connections	1
Number of positions	50

#### Standards and Regulations

Connection in acc. with standard	CSA
Standards/regulations	IEC 60664
	DIN EN 50178
Rated surge voltage	1.2 kV
Pollution degree	2
Overvoltage category	II
Flammability rating according to UL 94	V0

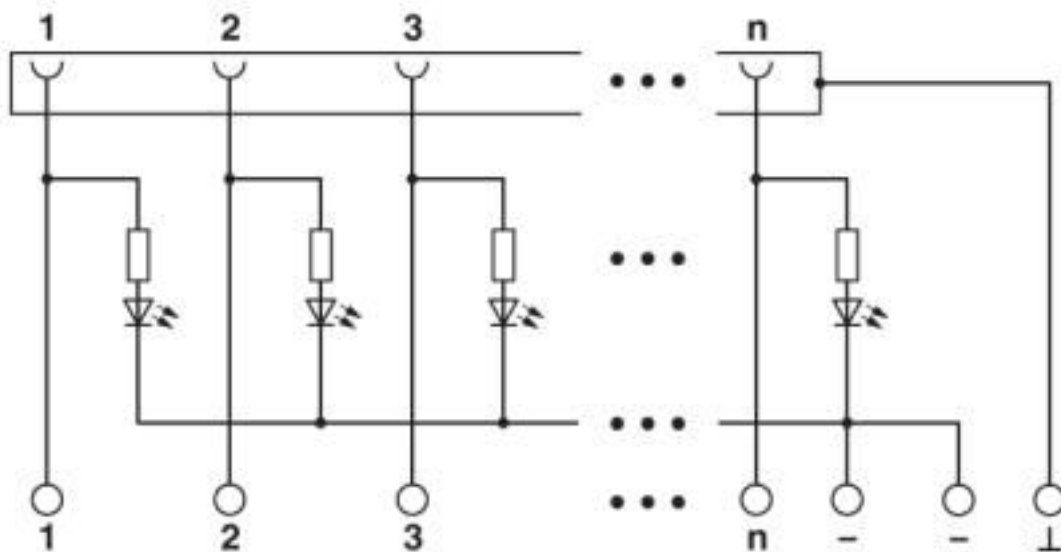
#### Environmental Product Compliance

REACH SVHC	Lead 7439-92-1
China RoHS	Environmentally Friendly Use Period = 50 years
	For details about hazardous substances go to tab "Downloads", Category "Manufacturer's declaration"

### Drawings

## Interface module - VIP-3/PT/D50SUB/M/LED - 2904262

Circuit diagram



### Classifications

eCl@ss

eCl@ss 10.0.1	27141152
eCl@ss 4.0	27250300
eCl@ss 4.1	27250300
eCl@ss 5.0	27250300
eCl@ss 5.1	27250300
eCl@ss 6.0	27242600
eCl@ss 7.0	27141152
eCl@ss 8.0	27141152
eCl@ss 9.0	27141152

ETIM

ETIM 4.0	EC002780
ETIM 5.0	EC002780
ETIM 6.0	EC002780
ETIM 7.0	EC002780

UNSPSC

UNSPSC 6.01	30211824
UNSPSC 7.0901	39121421
UNSPSC 11	39121421
UNSPSC 12.01	39121421

## Interface module - VIP-3/PT/D50SUB/M/LED - 2904262

### Classifications

#### UNSPSC

UNSPSC 13.2	39121432
UNSPSC 18.0	39121432
UNSPSC 19.0	39121432
UNSPSC 20.0	39121432
UNSPSC 21.0	39121432

### Approvals


#### Approvals


#### Approvals

CSA / UL Recognized / cUL Recognized / EAC / cULus Recognized

#### Ex Approvals

#### Approval details

CSA		<a href="http://www.csagroup.org/services-industries/product-listing/">http://www.csagroup.org/services-industries/product-listing/</a>	2122203
Nominal voltage UN		24 V	
Nominal current IN		1 A	
mm <sup>2</sup> /AWG/kcmil		26-14	

UL Recognized		<a href="http://database.ul.com/cgi-bin/XYV/template/LISEXT/1FRAME/index.htm">http://database.ul.com/cgi-bin/XYV/template/LISEXT/1FRAME/index.htm</a>	FILE E 238705
Nominal voltage UN		24 V	
Nominal current IN		1 A	
mm <sup>2</sup> /AWG/kcmil		26-14	

# Interface module - VIP-3/PT/D50SUB/M/LED - 2904262

## Approvals

cUL Recognized		<a href="http://database.ul.com/cgi-bin/XYV/template/LISEXT/1FRAME/index.htm">http://database.ul.com/cgi-bin/XYV/template/LISEXT/1FRAME/index.htm</a>	FILE E 238705
Nominal voltage UN		24 V	
Nominal current IN		1 A	
mm <sup>2</sup> /AWG/kcmil		26-14	

EAC		RU C- DE.A*30.B.01742
-----	--	--------------------------

cULus Recognized	
------------------	--

## Accessories

### Accessories

#### System cable

Cable - CABLE-D50SUB/B/S/ 50/KONFEK/S - 2302269



Assembled shielded round cable; connection 1: D-SUB socket strip (1x 50-position); connection 2: D-SUB pin strip (1x 50-position); cable length: 0.5 m

Cable - CABLE-D50SUB/B/S/100/KONFEK/S - 2302272



Assembled shielded round cable; connection 1: D-SUB socket strip (1x 50-position); connection 2: D-SUB pin strip (1x 50-position); cable length: 1 m

## Interface module - VIP-3/PT/D50SUB/M/LED - 2904262

### Accessories

Cable - CABLE-D50SUB/B/S/150/KONFEK/S - 2302285



Assembled shielded round cable; connection 1: D-SUB socket strip (1x 50-position); connection 2: D-SUB pin strip (1x 50-position); cable length: 1.5 m

---

Cable - CABLE-D50SUB/B/S/200/KONFEK/S - 2302298



Assembled shielded round cable; connection 1: D-SUB socket strip (1x 50-position); connection 2: D-SUB pin strip (1x 50-position); cable length: 2 m

---

Cable - CABLE-D50SUB/B/S/300/KONFEK/S - 2302308



Assembled shielded round cable; connection 1: D-SUB socket strip (1x 50-position); connection 2: D-SUB pin strip (1x 50-position); cable length: 3 m

---

Cable - CABLE-D50SUB/B/S/400/KONFEK/S - 2302311



Assembled shielded round cable; connection 1: D-SUB socket strip (1x 50-position); connection 2: D-SUB pin strip (1x 50-position); cable length: 4 m

---

Cable - CABLE-D50SUB/B/S/600/KONFEK/S - 2302324



Assembled shielded round cable; connection 1: D-SUB socket strip (1x 50-position); connection 2: D-SUB pin strip (1x 50-position); cable length: 6 m

---

## Interface module - VIP-3/PT/D50SUB/M/LED - 2904262

### Accessories

Cable - CABLE D-SUB-S/.../.../... - 2302340



Shielded round cable, assembled with one D-SUB male and one female connector, variable cable length

---

Cable - CABLE D-SUB-B-B-S/.../.../... - 2302421



Shielded round cable, assembled with two D-SUB female connectors, variable cable length

---

---