

Interface module - VIP-3/PT/D25SUB/M/LED - 2904260


Please be informed that the data shown in this PDF Document is generated from our Online Catalog. Please find the complete data in the user's documentation. Our General Terms of Use for Downloads are valid (<http://phoenixcontact.com/download>)



VARIOFACE module, with push-in connections and D-SUB miniature pin strip, for mounting on NS 35 rails, with LED, 25-pos.



Key Commercial Data

Packing unit	1 pc
GTIN	 4 046356 813372
GTIN	4046356813372
Weight per Piece (excluding packing)	157.400 g
Custom tariff number	85366990
Country of origin	United States

Technical data

Dimensions

Width	57.1 mm
Height	75.8 mm
Depth	63 mm

Ambient conditions

Ambient temperature (operation)	-20 °C ... 50 °C
Ambient temperature (storage/transport)	-20 °C ... 70 °C

General

Nominal voltage U_N	24 V DC
Max. perm. current (per branch)	2 A
Number of positions	25

Interface module - VIP-3/PT/D25SUB/M/LED - 2904260

Technical data

General

Status display	LED
Mounting position	any

Connection data

Connection name	Field level
Connection method	Push-in connection
Stripping length	8 mm
Conductor cross section solid	0.14 mm ² ... 2.5 mm ²
Conductor cross section flexible	0.14 mm ² ... 2.5 mm ²
Conductor cross section AWG	26 ... 14

Connection data 2

Connection name	Controller level
Connection method	D-SUB pin strip
Number of connections	1
Number of positions	25

Standards and Regulations

Connection in acc. with standard	CSA
Standards/regulations	IEC 60664
	DIN EN 50178
Rated surge voltage	1.2 kV
Pollution degree	2
Overvoltage category	II
Flammability rating according to UL 94	V0

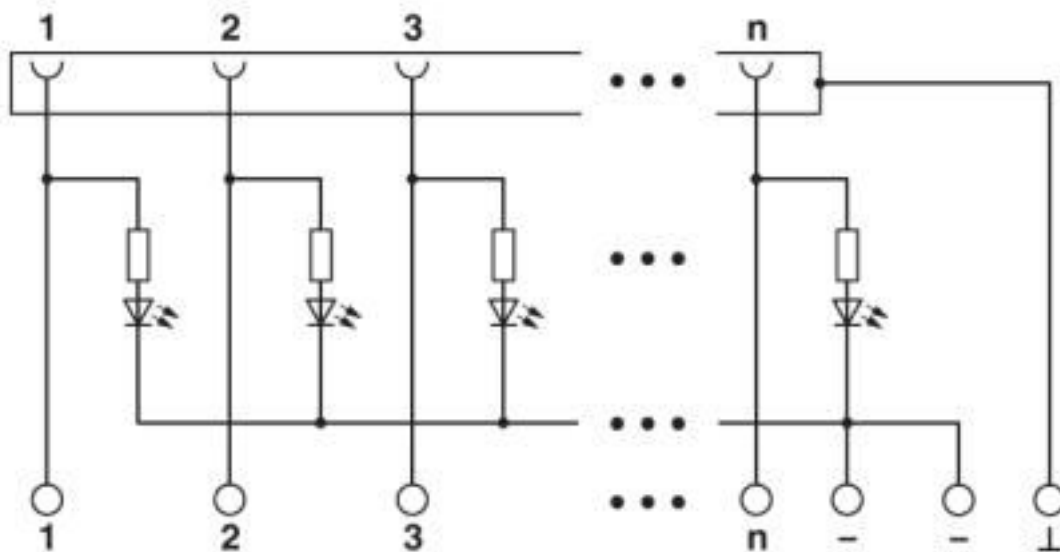
Environmental Product Compliance

REACH SVHC	Lead 7439-92-1
China RoHS	Environmentally Friendly Use Period = 50 years
	For details about hazardous substances go to tab "Downloads", Category "Manufacturer's declaration"

Drawings

Interface module - VIP-3/PT/D25SUB/M/LED - 2904260

Circuit diagram



Classifications

eCl@ss

eCl@ss 10.0.1	27141152
eCl@ss 4.0	27250300
eCl@ss 4.1	27250300
eCl@ss 5.0	27250300
eCl@ss 5.1	27250300
eCl@ss 6.0	27242600
eCl@ss 7.0	27141152
eCl@ss 8.0	27141152
eCl@ss 9.0	27141152

ETIM

ETIM 4.0	EC002780
ETIM 5.0	EC002780
ETIM 6.0	EC002780
ETIM 7.0	EC002780

UNSPSC

UNSPSC 6.01	30211824
UNSPSC 7.0901	39121421
UNSPSC 11	39121421
UNSPSC 12.01	39121421

Interface module - VIP-3/PT/D25SUB/M/LED - 2904260

Classifications

UNSPSC

UNSPSC 13.2	39121432
UNSPSC 18.0	39121432
UNSPSC 19.0	39121432
UNSPSC 20.0	39121432
UNSPSC 21.0	39121432

Approvals


Approvals


Approvals

CSA / UL Recognized / cUL Recognized / EAC / cULus Recognized

Ex Approvals

Approval details

CSA		http://www.csagroup.org/services-industries/product-listing/	2122203
Nominal voltage UN		24 V	
Nominal current IN		2 A	
mm ² /AWG/kcmil		26-14	

UL Recognized		http://database.ul.com/cgi-bin/XYV/template/LISEXT/1FRAME/index.htm	FILE E 238705
Nominal voltage UN		24 V	
Nominal current IN		2 A	
mm ² /AWG/kcmil		26-14	

Interface module - VIP-3/PT/D25SUB/M/LED - 2904260

Approvals

cUL Recognized		http://database.ul.com/cgi-bin/XYV/template/LISEXT/1FRAME/index.htm	FILE E 238705
Nominal voltage UN	24 V		
Nominal current IN	2 A		
mm ² /AWG/kcmil	26-14		

EAC		RU C- DE.A*30.B.01742
-----	--	--------------------------

cULus Recognized	
------------------	--

Accessories

Accessories

System cable

Cable - CABLE-D25SUB/B/S/ 50/KONFEK/S - 2302120



Assembled shielded round cable; connection 1: D-SUB socket strip (1x 25-position); connection 2: D-SUB pin strip (1x 25-position); cable length: 0.5 m

Cable - CABLE-D25SUB/B/S/100/KONFEK/S - 2302133



Assembled shielded round cable; connection 1: D-SUB socket strip (1x 25-position); connection 2: D-SUB pin strip (1x 25-position); cable length: 1 m

Interface module - VIP-3/PT/D25SUB/M/LED - 2904260

Accessories

Cable - CABLE-D25SUB/B/S/150/KONFEK/S - 2302146



Assembled shielded round cable; connection 1: D-SUB socket strip (1x 25-position); connection 2: D-SUB pin strip (1x 25-position); cable length: 1.5 m

Cable - CABLE-D25SUB/B/S/200/KONFEK/S - 2302159



Assembled shielded round cable; connection 1: D-SUB socket strip (1x 25-position); connection 2: D-SUB pin strip (1x 25-position); cable length: 2 m

Cable - CABLE-D25SUB/B/S/300/KONFEK/S - 2302162



Assembled shielded round cable; connection 1: D-SUB socket strip (1x 25-position); connection 2: D-SUB pin strip (1x 25-position); cable length: 3 m

Cable - CABLE-D25SUB/B/S/400/KONFEK/S - 2302175



Assembled shielded round cable; connection 1: D-SUB socket strip (1x 25-position); connection 2: D-SUB pin strip (1x 25-position); cable length: 4 m

Cable - CABLE-D25SUB/B/S/600/KONFEK/S - 2302188



Assembled shielded round cable; connection 1: D-SUB socket strip (1x 25-position); connection 2: D-SUB pin strip (1x 25-position); cable length: 6 m

Interface module - VIP-3/PT/D25SUB/M/LED - 2904260

Accessories

Cable - CABLE D-SUB-S/.../.../... - 2302340



Shielded round cable, assembled with one D-SUB male and one female connector, variable cable length

Cable - CABLE D-SUB-B-B-S/.../.../... - 2302421



Shielded round cable, assembled with two D-SUB female connectors, variable cable length
