

Interface module - VIP-2/PT/FLK16/LED - 2904250


Please be informed that the data shown in this PDF Document is generated from our Online Catalog. Please find the complete data in the user's documentation. Our General Terms of Use for Downloads are valid (<http://phoenixcontact.com/download>)



VARIOFACE module, with push-in connection and flat-ribbon cable connector, for mounting on NS 35 rails, with pin strip and short and long locking latches for socket strips, 16-pos., with LED

RoHS

Key Commercial Data

Packing unit	1 pc
GTIN	 4 046356 813617
GTIN	4046356813617
Weight per Piece (excluding packing)	121.500 g
Custom tariff number	85366990
Country of origin	United States

Technical data

Dimensions

Width	46.9 mm
Height	72.1 mm
Depth	56 mm

Ambient conditions

Ambient temperature (operation)	-20 °C ... 50 °C
Ambient temperature (storage/transport)	-20 °C ... 70 °C

General

Nominal voltage U_N	24 V DC
Max. perm. current (per branch)	1 A
Number of positions	16

Interface module - VIP-2/PT/FLK16/LED - 2904250

Technical data

General

Status display	LED
Mounting position	any

Connection data

Connection name	Field level
Connection method	Push-in connection
Stripping length	8 mm
Conductor cross section solid	0.14 mm ² ... 2.5 mm ²
Conductor cross section flexible	0.14 mm ² ... 2.5 mm ²
Conductor cross section AWG	26 ... 14

Connection data 2

Connection name	Controller level
Connection method	IDC/FLK pin strip
Number of connections	1
Number of positions	16
Pitch	2.54 mm

Standards and Regulations

Connection in acc. with standard	CSA
Standards/regulations	IEC 60664
	DIN EN 50178
Pollution degree	2
Overvoltage category	II
Flammability rating according to UL 94	V0

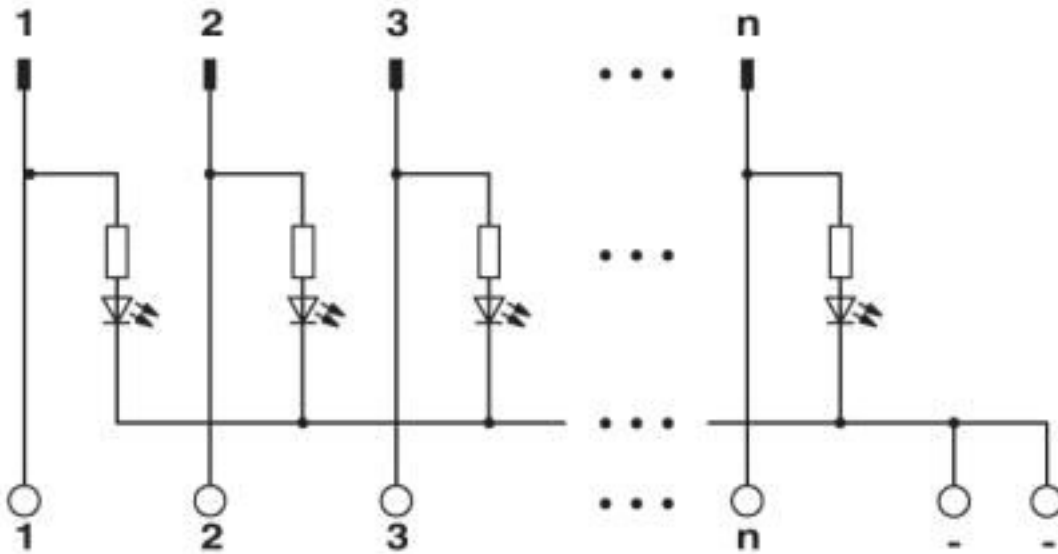
Environmental Product Compliance

China RoHS	Environmentally Friendly Use Period = 50 years
	For details about hazardous substances go to tab "Downloads", Category "Manufacturer's declaration"

Drawings

Interface module - VIP-2/PT/FLK16/LED - 2904250

Circuit diagram



Classifications

eCl@ss

eCl@ss 10.0.1	27141152
eCl@ss 4.0	27250300
eCl@ss 4.1	27250300
eCl@ss 5.0	27250300
eCl@ss 5.1	27250300
eCl@ss 6.0	27242600
eCl@ss 7.0	27141152
eCl@ss 8.0	27141152
eCl@ss 9.0	27141152

ETIM

ETIM 4.0	EC002780
ETIM 5.0	EC002780
ETIM 6.0	EC002780
ETIM 7.0	EC002780

UNSPSC

UNSPSC 6.01	30211824
UNSPSC 7.0901	39121421
UNSPSC 11	39121421
UNSPSC 12.01	39121421

Interface module - VIP-2/PT/FLK16/LED - 2904250

Classifications

UNSPSC

UNSPSC 13.2	39121432
UNSPSC 18.0	39121432
UNSPSC 19.0	39121432
UNSPSC 20.0	39121432
UNSPSC 21.0	39121432

Approvals


Approvals


Approvals

CSA / UL Recognized / cUL Recognized / EAC / cULus Recognized

Ex Approvals

Approval details

CSA		http://www.csagroup.org/services-industries/product-listing/	2122203
Nominal voltage UN		24 V	
Nominal current IN		1 A	
mm ² /AWG/kcmil		26-14	

UL Recognized		http://database.ul.com/cgi-bin/XYV/template/LISEXT/1FRAME/index.htm	FILE E 238705
Nominal voltage UN		24 V	
Nominal current IN		1 A	
mm ² /AWG/kcmil		26-14	

Interface module - VIP-2/PT/FLK16/LED - 2904250

Approvals

cUL Recognized		http://database.ul.com/cgi-bin/XYV/template/LISEXT/1FRAME/index.htm	FILE E 238705
Nominal voltage UN		24 V	
Nominal current IN		1 A	
mm ² /AWG/kcmil		26-14	

EAC		RU C- DE.A*30.B.01742
-----	--	--------------------------

cULus Recognized	
------------------	--

Accessories

Accessories

System cable

Cable - FLK 16/EZ-DR/ 50/KONFEK - 2299291



Round cable set; connection 1: IDC/FLK socket strip (1x 16-position); connection 2: IDC/FLK socket strip (1x 16-position); cable length: 0.5 m

Cable - FLK 16/EZ-DR/ 100/KONFEK - 2299301



Round cable set; connection 1: IDC/FLK socket strip (1x 16-position); connection 2: IDC/FLK socket strip (1x 16-position); cable length: 1 m

Interface module - VIP-2/PT/FLK16/LED - 2904250

Accessories

Cable - FLK 16/EZ-DR/ 150/KONFEK - 2299314



Round cable set; connection 1: IDC/FLK socket strip (1x 16-position); connection 2: IDC/FLK socket strip (1x 16-position); cable length: 1.5 m

Cable - FLK 16/EZ-DR/ 200/KONFEK - 2299327



Round cable set; connection 1: IDC/FLK socket strip (1x 16-position); connection 2: IDC/FLK socket strip (1x 16-position); cable length: 2 m

Cable - FLK 16/EZ-DR/ 300/KONFEK - 2299330



Round cable set; connection 1: IDC/FLK socket strip (1x 16-position); connection 2: IDC/FLK socket strip (1x 16-position); cable length: 3 m

Cable - FLK 16/EZ-DR/ 400/KONFEK - 2299343



Round cable set; connection 1: IDC/FLK socket strip (1x 16-position); connection 2: IDC/FLK socket strip (1x 16-position); cable length: 4 m

Cable - FLK 16/EZ-DR/ 800/KONFEK - 2299369



Round cable set; connection 1: IDC/FLK socket strip (1x 16-position); connection 2: IDC/FLK socket strip (1x 16-position); cable length: 8 m

Interface module - VIP-2/PT/FLK16/LED - 2904250

Accessories

Cable - FLK 16/EZ-DR/1000/KONFEK - 2299372



Round cable set; connection 1: IDC/FLK socket strip (1x 16-position); connection 2: IDC/FLK socket strip (1x 16-position); cable length: 10 m

Cable - FLK EZ-DR.../.../... - 2295059



Round cable, with preassembly, not shielded, variable cable length
