

Single relay - REL-OR2/L-120AC/2X21 - 2903691

Please be informed that the data shown in this PDF Document is generated from our Online Catalog. Please find the complete data in the user's documentation. Our General Terms of Use for Downloads are valid (<http://phoenixcontact.com/download>)



Pluggable octal relay with power contacts, 2 PDT, test button, mechanical switching position indication, coil voltage 120 V AC



Key Commercial Data

| | |
|--------------------------------------|---|
| Packing unit | 1 pc |
| Minimum order quantity | 10 pc |
| GTIN |  4 046356 759045 |
| GTIN | 4046356759045 |
| Weight per Piece (excluding packing) | 86.000 g |
| Custom tariff number | 85364900 |
| Country of origin | Poland |

Technical data

Dimensions

| | |
|--------|---------|
| Width | 35 mm |
| Height | 35 mm |
| Depth | 54.4 mm |

Ambient conditions

| | |
|---|------------------|
| Ambient temperature (operation) | -40 °C ... 55 °C |
| Ambient temperature (storage/transport) | -40 °C ... 85 °C |
| Degree of protection | RT I |

Coil side

| | |
|-----------------------------|----------|
| Nominal input voltage U_N | 120 V AC |
|-----------------------------|----------|

Single relay - REL-OR2/L-120AC/2X21 - 2903691

Technical data

Coil side

| | |
|---|--|
| Input voltage range in reference to U_N | see diagram |
| Mains frequency | 50/60 Hz |
| Typical input current at U_N | 23 mA |
| Typical response time | 5 ms ... 15 ms (depending on phase relation) |
| Typical release time range | 5 ms ... 20 ms (depending on phase relation) |
| Status display | Yellow LED |
| Power dissipation for nominal condition | 2.76 W |

Contact side

| | |
|---------------------------------------|--------------------------------|
| Contact type | 2 PDT |
| Type of switch contact | Single contact |
| Contact material | AgNi |
| Maximum switching voltage | 250 V AC/DC |
| Minimum switching voltage | 10 V (At 24 mA) |
| Min. switching current | 10 mA (at 24 V) |
| Maximum inrush current | 30 A (20 ms, N/O contacts) |
| Limiting continuous current | 10 A |
| Interrupting rating (ohmic load) max. | 240 W (at 24 V DC) |
| | 124 W (at 48 V DC) |
| | 108 W (at 60 V DC) |
| | 52 W (at 110 V DC) |
| | 48 W (at 220 V DC) |
| | 2500 VA (for 250 V AC) |
| Switching capacity min. | 0.24 W |
| Switching capacity | 2 A (at 24 V, DC13) |
| | 0.22 A (at 120 V, DC13) |
| | 0.11 A (at 250 V, DC13) |
| | 3 A (at 24 V, AC15) |
| | 3 A (at 120 V, AC15) |
| | 1.5 A (at 240 V, AC15) |
| Motor load according to UL 508 | 1/2 HP, 240 V AC (N/O contact) |

General

| | |
|--|---------------------------------------|
| Test voltage relay winding/relay contact | 2.5 kV _{rms} (50 Hz, 1 min.) |
| Test voltage relay contact/relay contact | 2 kV _{rms} (50 Hz, 1 min.) |
| Test voltage PDT/PDT | 2 kV _{rms} (50 Hz, 1 min.) |
| Operating mode | 100% operating factor |
| Mechanical service life | approx. 2×10^7 cycles |

Single relay - REL-OR2/L-120AC/2X21 - 2903691

Technical data

General

| | |
|-------------------|-----|
| Mounting position | any |
|-------------------|-----|

Connection data

| | |
|-------------------|-----------------|
| Connection method | Plug connection |
|-------------------|-----------------|

Standards and Regulations

| | |
|----------------------------------|------------------|
| Connection in acc. with standard | CSA |
| Standards/regulations | IEC 60664 |
| | IEC 61810 |
| Rated insulation voltage | 250 V AC |
| Rated surge voltage | 4 kV |
| Insulation | Basic insulation |
| Pollution degree | 3 |
| Overvoltage category | III |

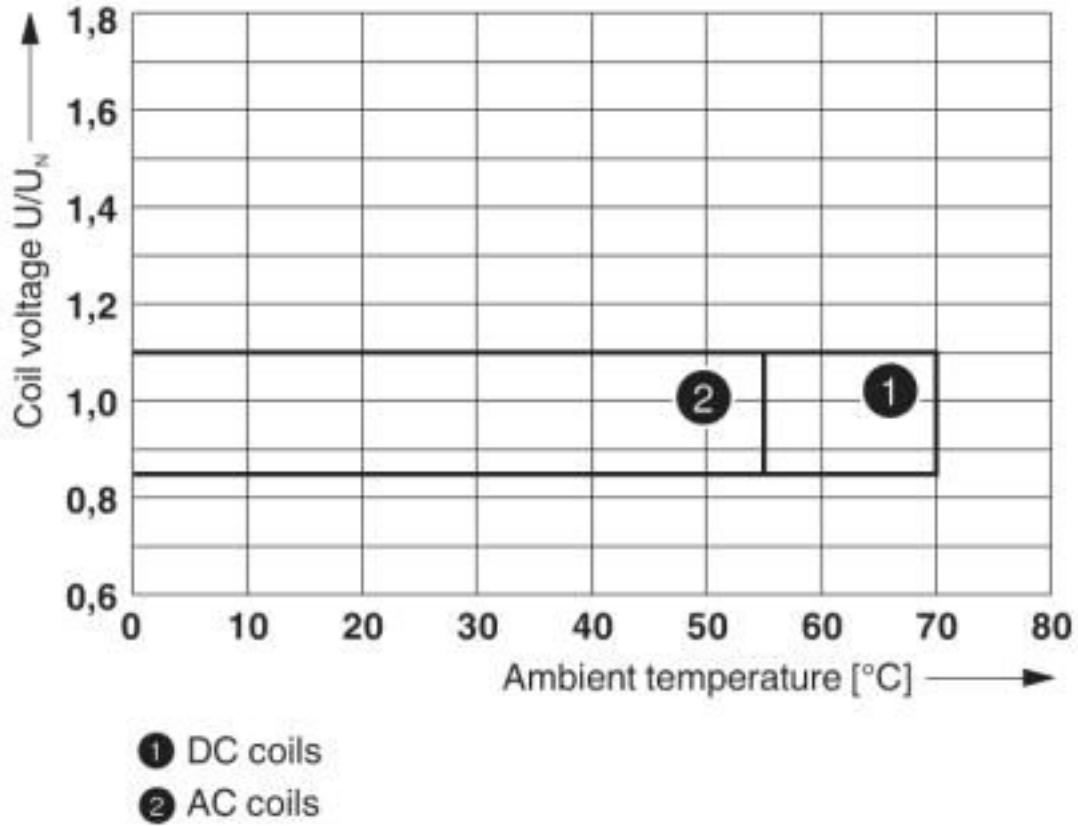
Environmental Product Compliance

| | |
|------------|---|
| China RoHS | Environmentally Friendly Use Period = 50 years |
| | For details about hazardous substances go to tab "Downloads", Category "Manufacturer's declaration" |

Drawings

Single relay - REL-OR2/L-120AC/2X21 - 2903691

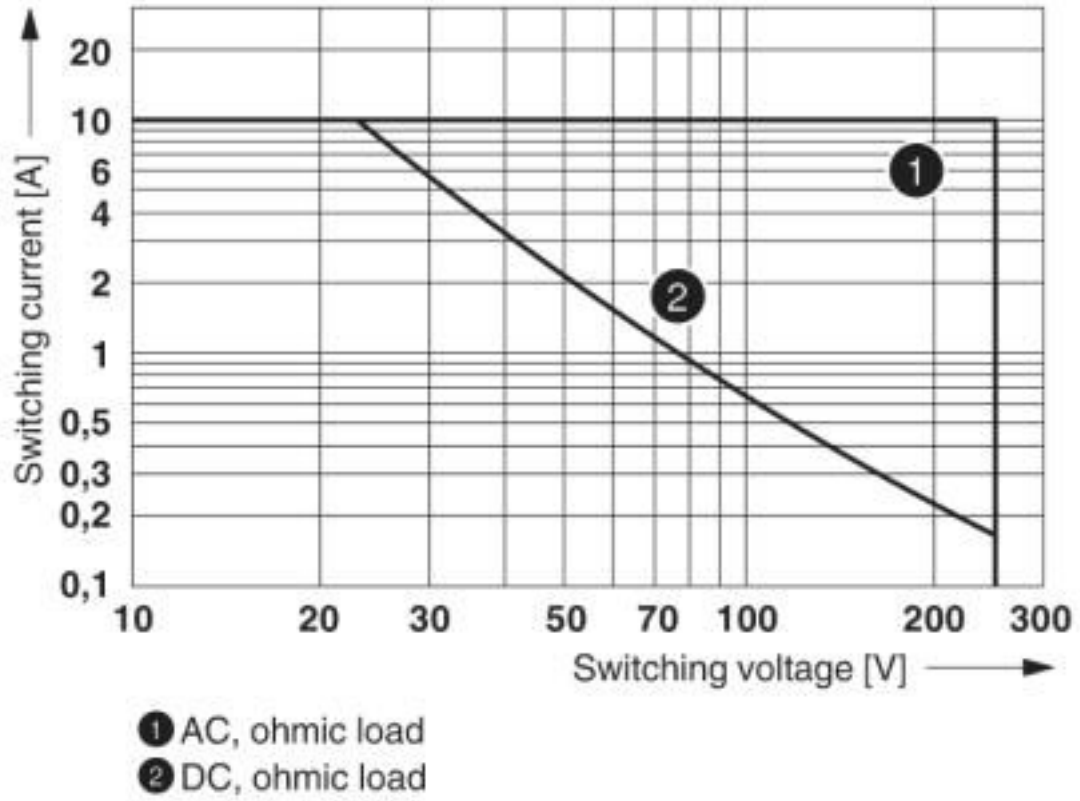
Diagram



Operating voltage range

Single relay - REL-OR2/L-120AC/2X21 - 2903691

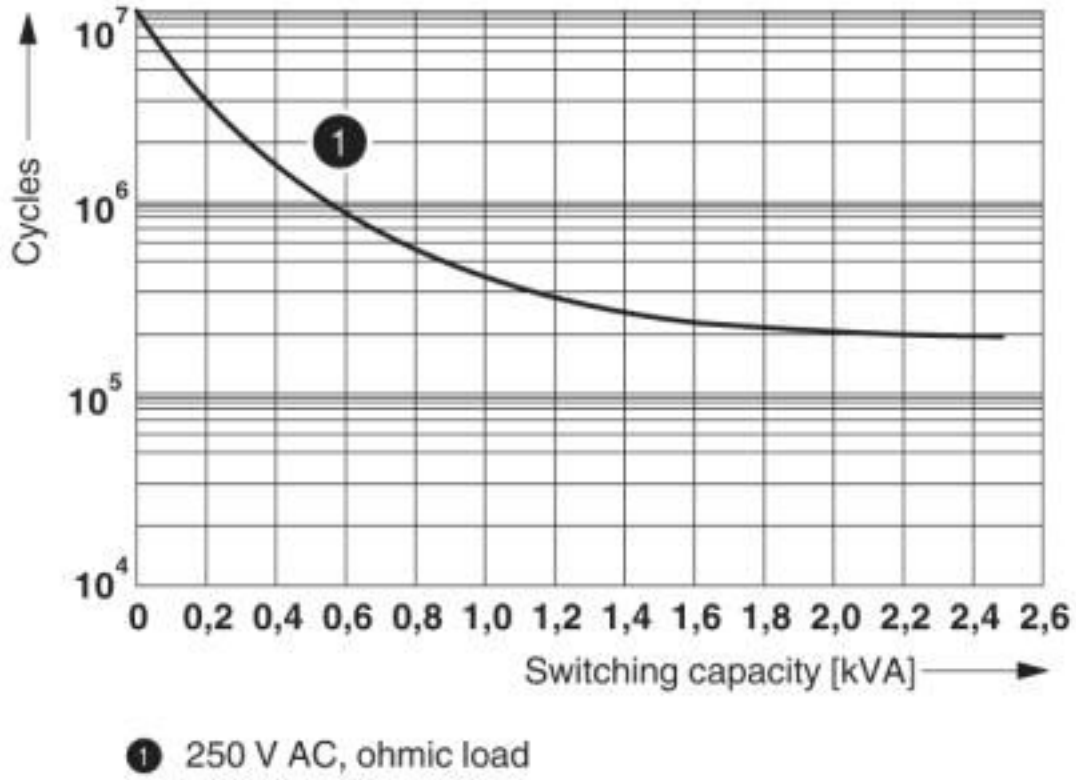
Diagram



Interrupting rating

Single relay - REL-OR2/L-120AC/2X21 - 2903691

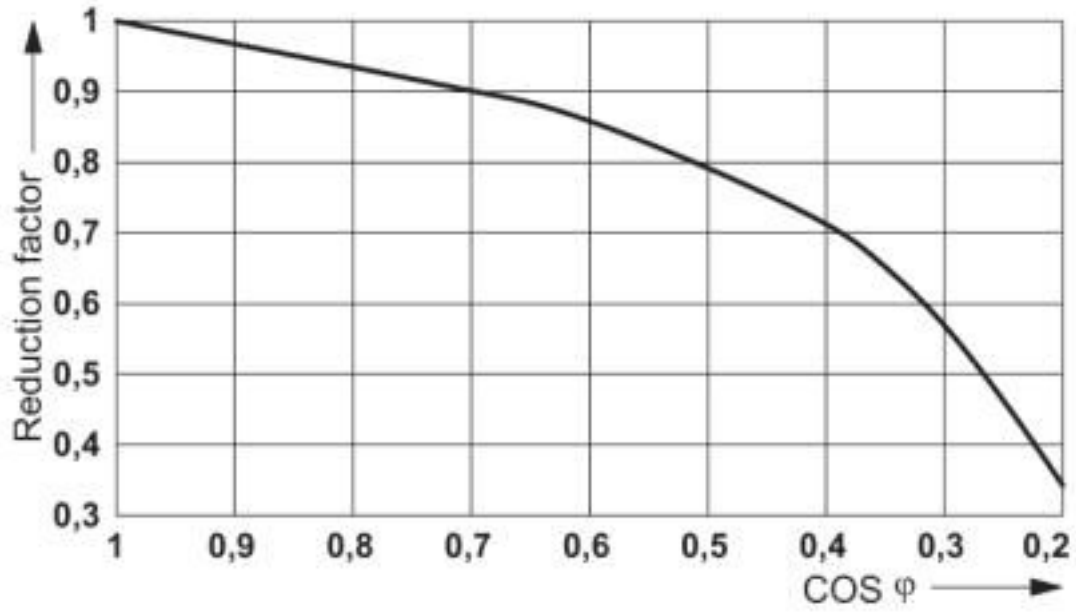
Diagram



Electrical service life

Single relay - REL-OR2/L-120AC/2X21 - 2903691

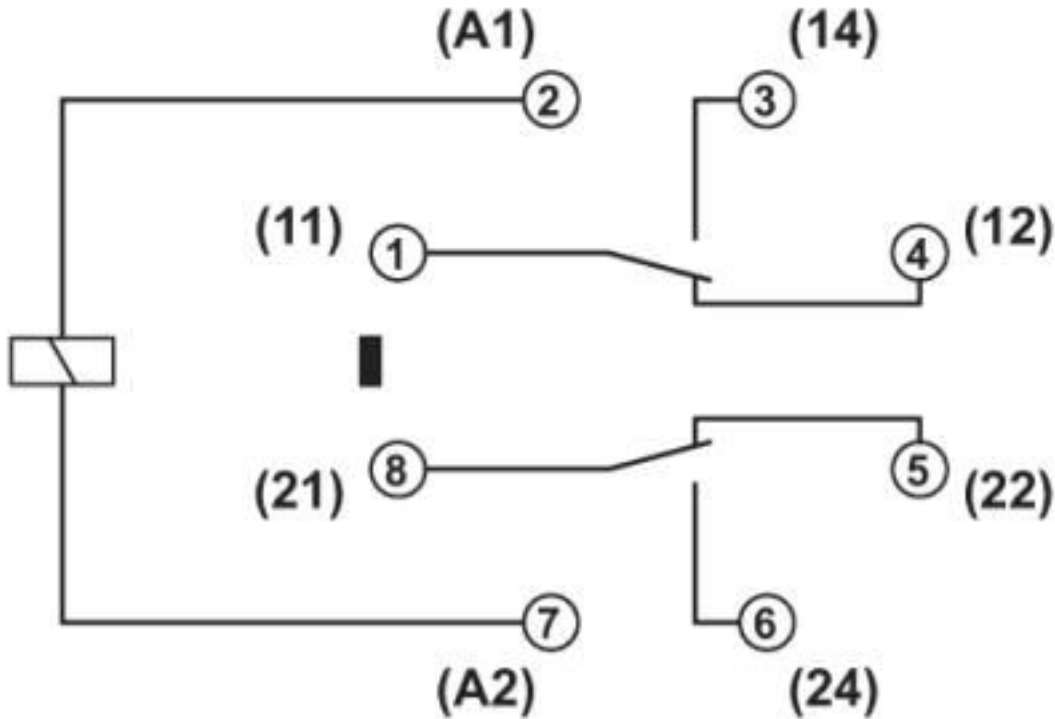
Diagram



Service life reduction factor

Single relay - REL-OR2/L-120AC/2X21 - 2903691

Circuit diagram



Classifications

eCl@ss

| | |
|---------------|----------|
| eCl@ss 10.0.1 | 27371601 |
| eCl@ss 4.0 | 27371100 |
| eCl@ss 4.1 | 27371100 |
| eCl@ss 5.0 | 27371600 |
| eCl@ss 5.1 | 27371600 |
| eCl@ss 6.0 | 27371600 |
| eCl@ss 7.0 | 27371601 |
| eCl@ss 8.0 | 27371601 |
| eCl@ss 9.0 | 27371601 |

ETIM

| | |
|----------|----------|
| ETIM 2.0 | EC001437 |
| ETIM 3.0 | EC001437 |
| ETIM 4.0 | EC001437 |
| ETIM 5.0 | EC001437 |
| ETIM 6.0 | EC001437 |

Single relay - REL-OR2/L-120AC/2X21 - 2903691

Classifications

ETIM

| | |
|----------|----------|
| ETIM 7.0 | EC001437 |
|----------|----------|

UNSPSC

| | |
|---------------|----------|
| UNSPSC 6.01 | 30211916 |
| UNSPSC 7.0901 | 39121515 |
| UNSPSC 11 | 39121515 |
| UNSPSC 12.01 | 39121515 |
| UNSPSC 13.2 | 39122334 |
| UNSPSC 18.0 | 39122334 |
| UNSPSC 19.0 | 39122334 |
| UNSPSC 20.0 | 39122334 |
| UNSPSC 21.0 | 39122334 |

Approvals

Approvals

Approvals

CSA / UL Recognized / cUL Recognized / VDE Zeichengenehmigung / EAC / EAC / cULus Recognized

Ex Approvals

Approval details

| | | | |
|-----|---|---|---------|
| CSA |  | http://www.csagroup.org/services-industries/product-listing/ | 2554095 |
|-----|---|---|---------|

| | | | |
|---------------|---|---|---------------|
| UL Recognized |  | http://database.ul.com/cgi-bin/XYV/template/LISEXT/1FRAME/index.htm | FILE E 172140 |
|---------------|---|---|---------------|

| | | | |
|----------------|---|---|---------------|
| cUL Recognized |  | http://database.ul.com/cgi-bin/XYV/template/LISEXT/1FRAME/index.htm | FILE E 172140 |
|----------------|---|---|---------------|

Single relay - REL-OR2/L-120AC/2X21 - 2903691

Approvals

| | | | |
|------------------------|--|---|---------------------|
| VDE Zeichengenehmigung | | http://www2.vde.com/de/Institut/Online-Service/VDE-gepruefteProdukte/Seiten/Online-Suche.aspx | 40036588 |
| EAC | | | TR_TS_D_00573_c |
| EAC | | | RU*C-DE.*08.B.00010 |
| cULus Recognized | | | |

Accessories

Additional products

Relay base - RIF-3-BPT/2X21 - 2900937



RIF-3... relay base, for octal relay with 2 PDTs, push-in connection, plug-in option for input/suppressor modules, for mounting on NS 35/7,5

Relay base - RIF-3-BSC/2X21 - 2900935



RIF-3... relay base, for octal relay with 2 changeover contacts, screw connection, plug-in option for input/interference suppression modules, for mounting on NS 35/7,5