

Active module - VIP-8RPT-24DC/1AU/DI/PLC - 2903600

Please be informed that the data shown in this PDF Document is generated from our Online Catalog. Please find the complete data in the user's documentation. Our General Terms of Use for Downloads are valid (<http://phoenixcontact.com/download>)




VARIOFACE Professional digital input module with eight channels, each with a pluggable N/O miniature relay, for 24 V DC

Your advantages

- ✓ Slim overall width of just 92.7 mm
- ✓ LED status indicator per signal path and supply voltage
- ✓ Plug-in miniature relays each with an N/O contact



Key Commercial Data

| | |
|--------------------------------------|---|
| Packing unit | 1 pc |
| GTIN |  4 046356 948142 |
| GTIN | 4046356948142 |
| Weight per Piece (excluding packing) | 19.600 g |
| Custom tariff number | 85369010 |
| Country of origin | United States |

Technical data

Note

| | |
|-------------------------|---|
| Utilization restriction | EMC: class A product, see manufacturer's declaration in the download area |
|-------------------------|---|

Dimensions

| | |
|--------|----------|
| Width | 92.7 mm |
| Height | 109.8 mm |
| Depth | 63 mm |

Active module - VIP-8RPT-24DC/1AU/DI/PLC - 2903600

Technical data

Ambient conditions

| | |
|---|------------------|
| Ambient temperature (operation) | -20 °C ... 60 °C |
| Ambient temperature (storage/transport) | -20 °C ... 70 °C |

Input data

| | |
|---|-----------------------------------|
| Nominal input voltage U_N | 24 V DC \pm 10 % (Supply, 2 A) |
| Input voltage range in reference to U_N | 0.9 ... 1.1 |
| Typical input current at U_N | 9 mA (per channel) |
| Typical response time | 5 ms |
| Typical release time | 8 ms |
| Type of protection | Free-wheeling diode |
| Protective circuit/component | Damping diode |
| Operating voltage display | Green LED |
| Status display/channel | Yellow LED |

Output data

| | |
|--|-------------------------|
| Contact type | 1 N/O contact |
| Contact material | AgSnO, hard gold-plated |
| Maximum switching voltage | 24 V DC |
| | 24 V DC |
| Minimum switching voltage | 100 mV (10 mA) |
| Limiting continuous current | 50 mA |
| Min. switching current | 1 mA |
| Error detection (line break / short-circuit) | no |

General

| | |
|-------------------------|---------------------------|
| No. of channels | 8 |
| Mechanical service life | 2x 10 ⁷ cycles |
| Operating mode | 100% operating factor |
| Mounting position | any |
| Assembly instructions | In rows with zero spacing |
| Color | gray |

Connection data

| | |
|-----------------------|-------------------|
| Connection name | Controller level |
| Connection method | IDC/FLK pin strip |
| Stripping length | 8 mm |
| Number of connections | 1 |
| Number of positions | 14 |
| Pitch | 2.54 mm |

Active module - VIP-8RPT-24DC/1AU/DI/PLC - 2903600

Technical data

Connection data 2

| | |
|----------------------------------|--|
| Connection name | Field level |
| Connection method | Push-in connection |
| Stripping length | 8 mm |
| Number of positions | 14 |
| Conductor cross section solid | 0.14 mm ² ... 2.5 mm ² |
| Conductor cross section flexible | 0.14 mm ² ... 2.5 mm ² |
| Conductor cross section AWG | 26 ... 14 |

Supported controller

| | |
|---------------------|-----------------------------|
| Controller | SIEMENS S7-1500 |
| - suitable I/O card | 6ES7 521-1BH00-0AB0 |
| | 6ES7 521-1BH50-0AA0 |
| | 6ES7 521-1BL00-0AB0 |
| Controller | ABB S800 I/O |
| - suitable I/O card | DI810 |
| | DI818 |
| Controller | ALLEN-BRADLEY ControlLogix |
| - suitable I/O card | 1756-IB32 |
| | 1756-IN16 |
| | 1756-IB16 |
| | 1756-IC16 |
| Controller | ALLEN-BRADLEY PLC 5 |
| - suitable I/O card | 1771 IBN |
| | 1771 OBN |
| Controller | ALLEN-BRADLEY SLC 500 |
| - suitable I/O card | 1746 IB 32 |
| Controller | GE-FANUC RX3i |
| - suitable I/O card | IC694MDL754 |
| | IC694MDL660 |
| Controller | HONEYWELL Experion PKS C200 |
| - suitable I/O card | TC-IDD 321 |
| | TC-ODD 321 |
| Controller | MITSUBISHI MELSEC L |
| - suitable I/O card | LX41C4 |
| | LX42C4 |
| | LY41NT1P |
| | LY42NT1P |
| | LY41PT1P |

Active module - VIP-8RPT-24DC/1AU/DI/PLC - 2903600

Technical data

Supported controller

| | |
|---------------------|---------------------|
| | LY42PT1P |
| Controller | MITSUBISHI MELSEC Q |
| - suitable I/O card | QX81 |
| | QY81P |
| | QX41 |
| | QX41-S1 |
| | QX42 |
| | QX42-S1 |
| | QX71 |
| | QX72 |
| | QY41P |
| | QY42P |
| | QY71 |
| | QH42P |
| | QX82 |
| | QX82-S1 |
| | QY82P |

Standards and Regulations

| | |
|----------------------------------|--------------|
| Connection in acc. with standard | CSA |
| Standards/regulations | DIN EN 50178 |

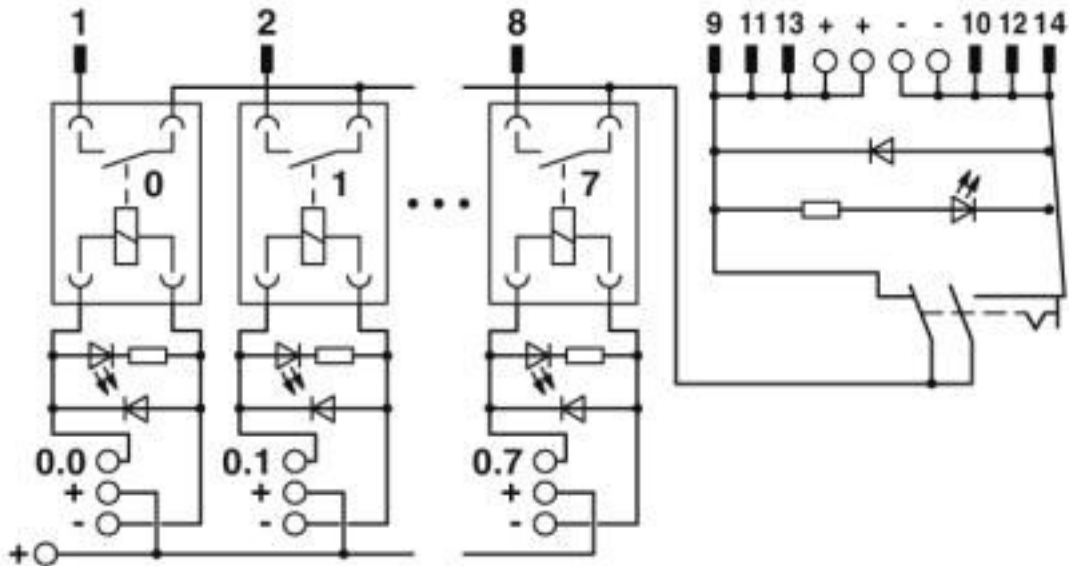
Environmental Product Compliance

| | |
|------------|---|
| REACH SVHC | Lead 7439-92-1 |
| China RoHS | Environmentally Friendly Use Period = 50 years |
| | For details about hazardous substances go to tab "Downloads", Category "Manufacturer's declaration" |

Drawings

Active module - VIP-8RPT-24DC/1AU/DI/PLC - 2903600

Circuit diagram



Classifications

eCl@ss

| | |
|---------------|----------|
| eCl@ss 10.0.1 | 27141152 |
| eCl@ss 4.0 | 27371100 |
| eCl@ss 4.1 | 27371100 |
| eCl@ss 5.0 | 27371000 |
| eCl@ss 5.1 | 27371000 |
| eCl@ss 6.0 | 27371000 |
| eCl@ss 7.0 | 27141152 |
| eCl@ss 8.0 | 27141152 |
| eCl@ss 9.0 | 27141152 |

ETIM

| | |
|----------|----------|
| ETIM 4.0 | EC002780 |
| ETIM 5.0 | EC002780 |
| ETIM 6.0 | EC002780 |
| ETIM 7.0 | EC002780 |

UNSPSC

| | |
|---------------|----------|
| UNSPSC 6.01 | 30211916 |
| UNSPSC 7.0901 | 39121515 |
| UNSPSC 11 | 39121515 |

Active module - VIP-8RPT-24DC/1AU/DI/PLC - 2903600

Classifications

UNSPSC

| | |
|--------------|----------|
| UNSPSC 12.01 | 39121515 |
| UNSPSC 13.2 | 39121432 |
| UNSPSC 18.0 | 39121432 |
| UNSPSC 19.0 | 39121432 |
| UNSPSC 20.0 | 39121432 |
| UNSPSC 21.0 | 39121432 |

Approvals


Approvals


Approvals

CSA / UL Recognized / cUL Recognized / EAC / cULus Recognized

Ex Approvals

Approval details

| | | | |
|----------------------------|---|---|---------|
| CSA |  | http://www.csagroup.org/services-industries/product-listing/ | 2122203 |
| Nominal voltage UN | | 24 V | |
| Nominal current IN | | 0.05 A | |
| mm ² /AWG/kcmil | | 26-14 | |

| | | | |
|----------------------------|---|---|---------------|
| UL Recognized |  | http://database.ul.com/cgi-bin/XYV/template/LISEXT/1FRAME/index.htm | FILE E 238705 |
| Nominal voltage UN | | 24 V | |
| Nominal current IN | | 0.05 A | |
| mm ² /AWG/kcmil | | 26-14 | |

Active module - VIP-8RPT-24DC/1AU/DI/PLC - 2903600

Approvals

| | | | |
|----------------------------|--|---|---------------|
| cUL Recognized | | http://database.ul.com/cgi-bin/XYV/template/LISEXT/1FRAME/index.htm | FILE E 238705 |
| Nominal voltage UN | | 24 V | |
| Nominal current IN | | 0.05 A | |
| mm ² /AWG/kcmil | | 26-14 | |

| | | |
|-----|--|--------------------------|
| EAC | | RU C- DE.A*30.B.01742 |
|-----|--|--------------------------|

| | |
|------------------|--|
| cULus Recognized | |
|------------------|--|

Accessories

Accessories

System cable

Cable - FLK 14/EZ-DR/ 30/KONFEK - 2295729



Round cable set; connection 1: IDC/FLK socket strip (1x 14-position); connection 2: IDC/FLK socket strip (1x 14-position); cable length: 0.3 m

Cable - FLK 14/EZ-DR/ 50/KONFEK - 2288901



Round cable set; connection 1: IDC/FLK socket strip (1x 14-position); connection 2: IDC/FLK socket strip (1x 14-position); cable length: 0.5 m

Active module - VIP-8RPT-24DC/1AU/DI/PLC - 2903600

Accessories

Cable - FLK 14/EZ-DR/ 100/KONFEK - 2288914



Round cable set; connection 1: IDC/FLK socket strip (1x 14-position); connection 2: IDC/FLK socket strip (1x 14-position); cable length: 1 m

Cable - FLK 14/EZ-DR/ 150/KONFEK - 2288927



Round cable set; connection 1: IDC/FLK socket strip (1x 14-position); connection 2: IDC/FLK socket strip (1x 14-position); cable length: 1.5 m

Cable - FLK 14/EZ-DR/ 200/KONFEK - 2288930



Round cable set; connection 1: IDC/FLK socket strip (1x 14-position); connection 2: IDC/FLK socket strip (1x 14-position); cable length: 2 m

Cable - FLK 14/EZ-DR/ 250/KONFEK - 2288943



Round cable set; connection 1: IDC/FLK socket strip (1x 14-position); connection 2: IDC/FLK socket strip (1x 14-position); cable length: 2.5 m

Cable - FLK 14/EZ-DR/ 300/KONFEK - 2288956



Round cable set; connection 1: IDC/FLK socket strip (1x 14-position); connection 2: IDC/FLK socket strip (1x 14-position); cable length: 3 m

Active module - VIP-8RPT-24DC/1AU/DI/PLC - 2903600

Accessories

Cable - FLK 14/EZ-DR/ 350/KONFEK - 2288969



Round cable set; connection 1: IDC/FLK socket strip (1x 14-position); connection 2: IDC/FLK socket strip (1x 14-position); cable length: 3.5 m

Cable - FLK 14/EZ-DR/ 400/KONFEK - 2288972



Round cable set; connection 1: IDC/FLK socket strip (1x 14-position); connection 2: IDC/FLK socket strip (1x 14-position); cable length: 4 m

Cable - FLK 14/EZ-DR/ 450/KONFEK - 2290847



Round cable set; connection 1: IDC/FLK socket strip (1x 14-position); connection 2: IDC/FLK socket strip (1x 14-position); cable length: 4.5 m

Cable - FLK 14/EZ-DR/ 500/KONFEK - 2290834



Round cable set; connection 1: IDC/FLK socket strip (1x 14-position); connection 2: IDC/FLK socket strip (1x 14-position); cable length: 5 m

Cable - FLK 14/EZ-DR/ 550/KONFEK - 2290850



Round cable set; connection 1: IDC/FLK socket strip (1x 14-position); connection 2: IDC/FLK socket strip (1x 14-position); cable length: 5.5 m

Active module - VIP-8RPT-24DC/1AU/DI/PLC - 2903600

Accessories

Cable - FLK 14/EZ-DR/ 600/KONFEK - 2290863



Round cable set; connection 1: IDC/FLK socket strip (1x 14-position); connection 2: IDC/FLK socket strip (1x 14-position); cable length: 6 m

Cable - FLK 14/EZ-DR/ 800/KONFEK - 2299563



Round cable set; connection 1: IDC/FLK socket strip (1x 14-position); connection 2: IDC/FLK socket strip (1x 14-position); cable length: 8 m

Cable - FLK 14/EZ-DR/1000/KONFEK - 2299576



Round cable set; connection 1: IDC/FLK socket strip (1x 14-position); connection 2: IDC/FLK socket strip (1x 14-position); cable length: 10 m

Cable - FLK EZ-DR.../.../... - 2295059



Round cable, with preassembly, not shielded, variable cable length

Cable - FLK 14/EZ-DR/ 50/KONFEK/S - 2296977



Assembled shielded round cable; connection 1: IDC/FLK socket strip (1x 14-position); connection 2: IDC/FLK socket strip (1x 14-position) (The braided shield is routed to a separate cable end.); cable length: 0.5 m

Active module - VIP-8RPT-24DC/1AU/DI/PLC - 2903600

Accessories

Cable - FLK 14/EZ-DR/ 100/KONFEK/S - 2296980



Assembled shielded round cable; connection 1: IDC/FLK socket strip (1x 14-position); connection 2: IDC/FLK socket strip (1x 14-position) (The braided shield is routed to a separate cable end.); cable length: 1 m

Cable - FLK 14/EZ-DR/ 200/KONFEK/S - 2297002



Assembled shielded round cable; connection 1: IDC/FLK socket strip (1x 14-position); connection 2: IDC/FLK socket strip (1x 14-position) (The braided shield is routed to a separate cable end.); cable length: 2 m

Cable - FLK 14/EZ-DR/ 300/KONFEK/S - 2299013



Assembled shielded round cable; connection 1: IDC/FLK socket strip (1x 14-position); connection 2: IDC/FLK socket strip (1x 14-position) (The braided shield is routed to a separate cable end.); cable length: 3 m

Cable - FLK 14/EZ-DR/ 400/KONFEK/S - 2299026



Assembled shielded round cable; connection 1: IDC/FLK socket strip (1x 14-position); connection 2: IDC/FLK socket strip (1x 14-position) (The braided shield is routed to a separate cable end.); cable length: 4 m

Cable - FLK 14/EZ-DR/ 600/KONFEK/S - 2299039



Assembled shielded round cable; connection 1: IDC/FLK socket strip (1x 14-position); connection 2: IDC/FLK socket strip (1x 14-position) (The braided shield is routed to a separate cable end.); cable length: 6 m

Active module - VIP-8RPT-24DC/1AU/DI/PLC - 2903600

Accessories

Cable - FLK 14/EZ-DR/ 800/KONFEK/S - 2299042



Assembled shielded round cable; connection 1: IDC/FLK socket strip (1x 14-position); connection 2: IDC/FLK socket strip (1x 14-position) (The braided shield is routed to a separate cable end.); cable length: 8 m

Cable - FLK 14/EZ-DR/1000/KONFEK/S - 2299055



Assembled shielded round cable; connection 1: IDC/FLK socket strip (1x 14-position); connection 2: IDC/FLK socket strip (1x 14-position) (The braided shield is routed to a separate cable end.); cable length: 10 m

Cable - FLK EZ-DR-S.../.../... - 2295046



Round cable, with preassembly, shielded, variable cable length

Cable - FLK 14/EZ-DR/HF/ 50/KONFEK - 2305952



Assembled, halogen-free round cable; connection 1: IDC/FLK socket strip (1x 14-position); connection 2: IDC/FLK socket strip (1x 14-position); cable length: 0.5 m

Cable - FLK 14/EZ-DR/HF/ 100/KONFEK - 2305965



Assembled, halogen-free round cable; connection 1: IDC/FLK socket strip (1x 14-position); connection 2: IDC/FLK socket strip (1x 14-position); cable length: 1 m

Active module - VIP-8RPT-24DC/1AU/DI/PLC - 2903600

Accessories

Cable - FLK 14/EZ-DR/HF/ 150/KONFEK - 2305978



Assembled, halogen-free round cable; connection 1: IDC/FLK socket strip (1x 14-position); connection 2: IDC/FLK socket strip (1x 14-position); cable length: 1.5 m

Cable - FLK 14/EZ-DR/HF/ 200/KONFEK - 2305981



Assembled, halogen-free round cable; connection 1: IDC/FLK socket strip (1x 14-position); connection 2: IDC/FLK socket strip (1x 14-position); cable length: 2 m

Cable - FLK 14/EZ-DR/HF/ 250/KONFEK - 2305994



Assembled, halogen-free round cable; connection 1: IDC/FLK socket strip (1x 14-position); connection 2: IDC/FLK socket strip (1x 14-position); cable length: 2.5 m

Cable - FLK 14/EZ-DR/HF/ 300/KONFEK - 2304759



Assembled, halogen-free round cable; connection 1: IDC/FLK socket strip (1x 14-position); connection 2: IDC/FLK socket strip (1x 14-position); cable length: 3 m

Cable - FLK 14/EZ-DR/HF/ 400/KONFEK - 2304762



Assembled, halogen-free round cable; connection 1: IDC/FLK socket strip (1x 14-position); connection 2: IDC/FLK socket strip (1x 14-position); cable length: 4 m

Active module - VIP-8RPT-24DC/1AU/DI/PLC - 2903600

Accessories

Cable - FLK 14/EZ-DR/HF/ 500/KONFEK - 2304717



Assembled, halogen-free round cable; connection 1: IDC/FLK socket strip (1x 14-position); connection 2: IDC/FLK socket strip (1x 14-position); cable length: 5 m

Cable - FLK 14/EZ-DR/HF/ 600/KONFEK - 2306003



Assembled, halogen-free round cable; connection 1: IDC/FLK socket strip (1x 14-position); connection 2: IDC/FLK socket strip (1x 14-position); cable length: 6 m

Cable - FLK 14/EZ-DR/HF/ 700/KONFEK - 2314011



Assembled, halogen-free round cable; connection 1: IDC/FLK socket strip (1x 14-position); connection 2: IDC/FLK socket strip (1x 14-position); cable length: 7 m

Cable - FLK 14/EZ-DR/HF/ 800/KONFEK - 2314024



Assembled, halogen-free round cable; connection 1: IDC/FLK socket strip (1x 14-position); connection 2: IDC/FLK socket strip (1x 14-position); cable length: 8 m

Cable - FLK 14/EZ-DR/HF/1000/KONFEK - 2314037



Assembled, halogen-free round cable; connection 1: IDC/FLK socket strip (1x 14-position); connection 2: IDC/FLK socket strip (1x 14-position); cable length: 10 m

Active module - VIP-8RPT-24DC/1AU/DI/PLC - 2903600

Accessories

Cable - FLK 14-EZ-DR-HF/... - 2314040



Assembled, halogen-free round cable; connection 1: IDC/FLK socket strip (1x 14-position); connection 2: IDC/FLK socket strip (1x 14-position); cable length: variable

Terminal marking

Marker for terminal blocks - UC-TM 4 - 0818111



Marker for terminal blocks, Sheet, white, unlabeled, can be labeled with: BLUEMARK ID COLOR, BLUEMARK ID, BLUEMARK CLED, PLOTMARK, CMS-P1-PLOTTER, mounting type: snap into tall marker groove, for terminal block width: 4.2 mm, lettering field size: 3.6 x 10.5 mm, Number of individual labels: 120

Marker for terminal blocks - UC-TM 6 - 0818085



Marker for terminal blocks, Sheet, white, unlabeled, can be labeled with: BLUEMARK ID COLOR, BLUEMARK ID, BLUEMARK CLED, PLOTMARK, CMS-P1-PLOTTER, mounting type: snap into tall marker groove, for terminal block width: 6.2 mm, lettering field size: 5.6 x 10.5 mm, Number of individual labels: 80

Marker for terminal blocks - UCT-TM 6 - 0828736



Marker for terminal blocks, Sheet, white, unlabeled, can be labeled with: TOPMARK NEO, TOPMARK LASER, BLUEMARK ID COLOR, BLUEMARK ID, BLUEMARK CLED, THERMOMARK PRIME, THERMOMARK CARD 2.0, THERMOMARK CARD, mounting type: snap into tall marker groove, for terminal block width: 6.2 mm, lettering field size: 5.6 x 10.5 mm, Number of individual labels: 60

Zack marker strip - ZB 5,08:UNBEDRUCKT - 0809793



Zack marker strip, Strip, white, unlabeled, can be labeled with: PLOTMARK, CMS-P1-PLOTTER, mounting type: snap into tall marker groove, for terminal block width: 5.08 mm, lettering field size: 4.98 x 10.5 mm, Number of individual labels: 10

Active module - VIP-8RPT-24DC/1AU/DI/PLC - 2903600

Accessories

Zack marker strip - ZB 22:UNBEDRUCKT - 0811862



Zack marker strip, Strip, white, unlabeled, can be labeled with: PLOTMARK, CMS-P1-PLOTTER, mounting type: snap into tall marker groove, for terminal block width: 22 mm, lettering field size: 10.5 x 21.8 mm, Number of individual labels: 4

Spare parts

Single relay - REL-MR- 24DC/21AU - 2961121



Plug-in miniature power relay, with multi-layer gold contact, 1 PDT, input voltage 24 V DC