

D-SUB bus connector - SUBCON-PLUS-PROFIB/35/M12 - 2902320

Please be informed that the data shown in this PDF Document is generated from our Online Catalog. Please find the complete data in the user's documentation. Our General Terms of Use for Downloads are valid (<http://phoenixcontact.com/download>)



D-SUB plug, 9-pos., pin, assignment: 3, 5, 6, 8; two M12 cable glands (B-coded) under 35°. Bus system: PROFIBUS DP up to 12 Mbps. Termination resistor via separate M12 terminator.

Product Description

The SUBCON-PLUS fast connectors with M12 connection ensure error-free installation of bus systems, thanks to the use of fully-tested components such as cables and connectors.

The innovative housing concept is lightweight yet offers optimum mechanical protection against environmental influences. This means that the fast connection plugs are ideal, even in applications subject to vibration.

The unique SPEEDCON fast locking system on the M12 connections offers reliable connection with just half a turn.

Your advantages

- ✓ Easy startup, plug and play
- ✓ Error-free installation, particularly in standard machine production
- ✓ Quick connection thanks to M12-SPEEDCON fast locking system
- ✓ Low weight
- ✓ PROFIBUS
- ✓ Termination using M12 termination resistor
- ✓ Adapter between IP20 and IP67 environments
- ✓ Through-contacted shielding from M12 to D-SUB



Key Commercial Data

| | |
|--------------------------------------|---|
| Packing unit | 1 pc |
| GTIN |  4 046356 655064 |
| GTIN | 4046356655064 |
| Weight per Piece (excluding packing) | 60.000 g |
| Custom tariff number | 85366990 |
| Country of origin | China |

D-SUB bus connector - SUBCON-PLUS-PROFIB/35/M12 - 2902320

Technical data

Dimensions

| | |
|--------|-------|
| Width | 16 mm |
| Height | 46 mm |
| Length | 79 mm |

Ambient conditions

| | |
|---|--|
| Ambient temperature (operation) | -30 °C ... 80 °C |
| Ambient temperature (storage/transport) | -40 °C ... 85 °C |
| Ambient temperature (assembly) | -20 °C ... 80 °C |
| Permissible humidity (operation) | 10 % ... 75 % (At +25°C, non-condensing) |
| Altitude | ≤ 5000 m (For restrictions, see the manufacturer's declaration for altitude operation) |
| Degree of protection | IP40 |

General

| | |
|-----------------------|--|
| Nominal voltage U_N | 5 V |
| Nominal current I_N | 100 mA |
| Bus system | PROFIBUS DP |
| Signal | PROFIBUS |
| SUBCON fixing screws | 4-40 UNC |
| Tightening torque | 0.4 Nm |
| Housing material | Polyamide |
| Pin assignment | 3, 5, 6, 8 |
| MTTF | 6706 Years (SN 29500 standard, temperature 25°C, operating cycle 21%) |
| | 1817 Years (SN 29500 standard, temperature 40°C, operating cycle 34.25%) |
| | 155 Years (SN 29500 standard, temperature 40°C, operating cycle 100%) |

Connection data

| | |
|----------------------|---|
| Connection | D-SUB connection |
| Number of positions | 9 |
| Connection method | D-SUB connector |
| Termination resistor | separately via M12 termination resistor |
| Connection | M12 plug |
| Number of positions | 5 |
| Connection method | M12 connector, B-coded |
| Torque | 0.4 Nm |
| Connection | M12 socket |
| Number of positions | 5 |
| Connection method | M12 connector, B-coded |

D-SUB bus connector - SUBCON-PLUS-PROFIB/35/M12 - 2902320

Technical data

Connection data

| | |
|--------|--------|
| Torque | 0.4 Nm |
|--------|--------|

Conformance/approvals

| | |
|----------------|----------------------------------|
| Designation | Corrosive gas test |
| Identification | ISA-S71.04-1985 G3 Harsh Group A |

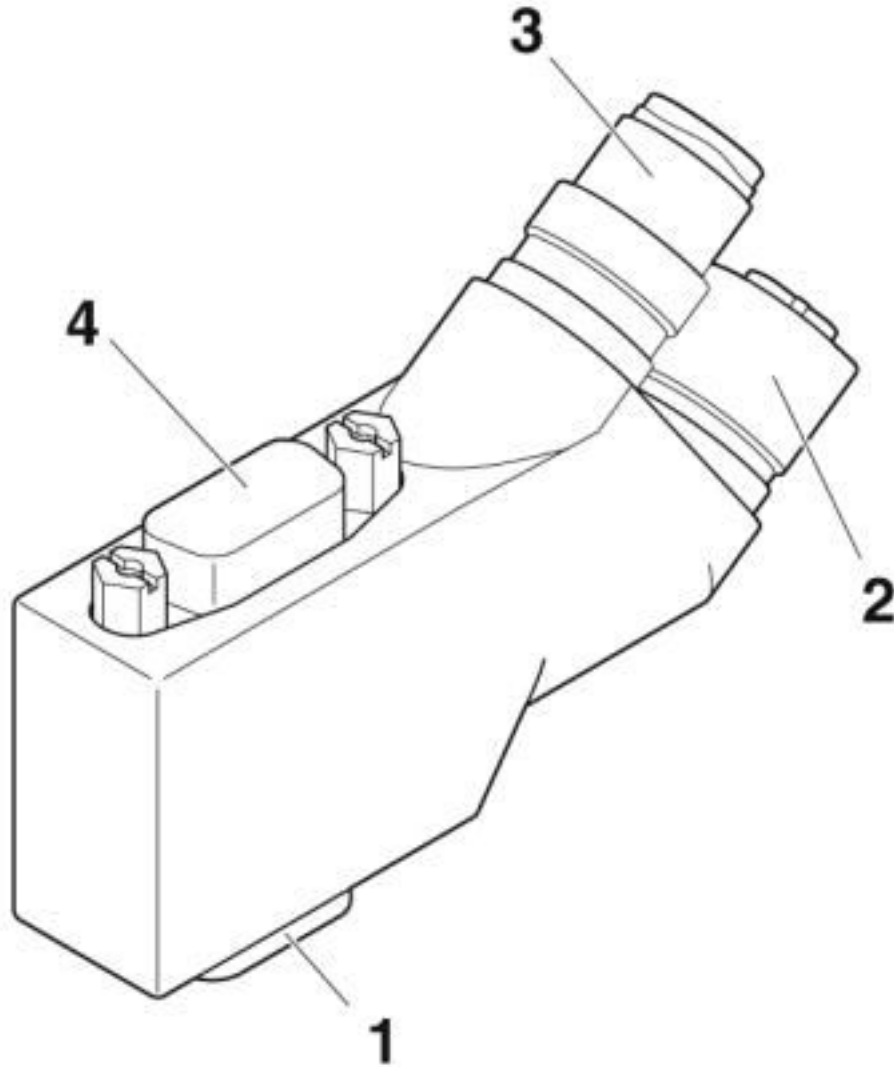
Environmental Product Compliance

| | |
|------------|---|
| REACH SVHC | Lead 7439-92-1 |
| China RoHS | Environmentally Friendly Use Period = 50 years |
| | For details about hazardous substances go to tab "Downloads", Category "Manufacturer's declaration" |

Drawings

D-SUB bus connector - SUBCON-PLUS-PROFIB/35/M12 - 2902320

Schematic diagram

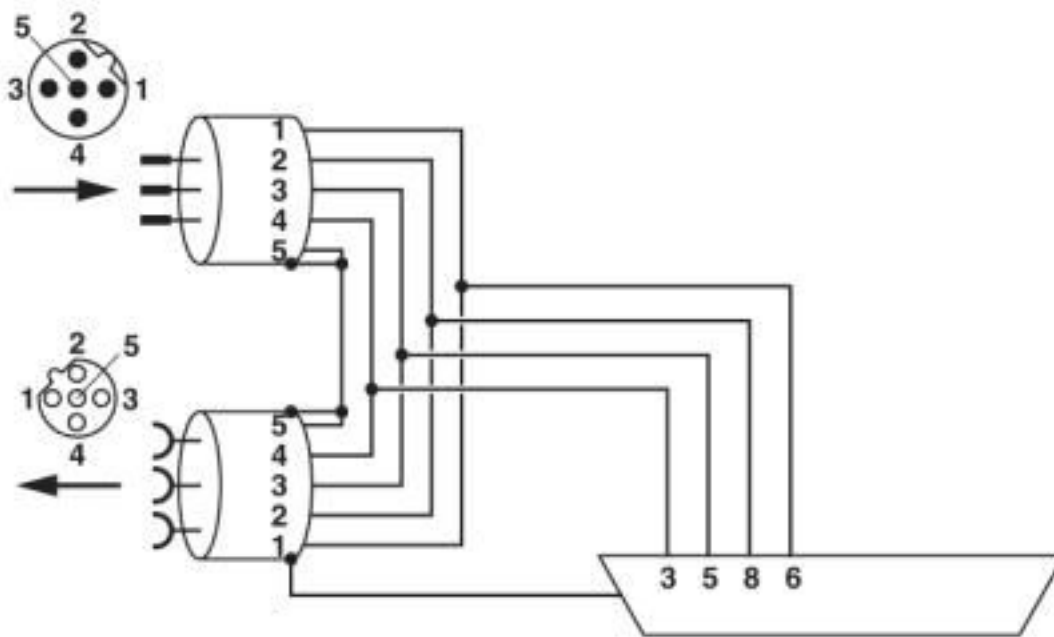


Function elements

- 1 = D-SUB 9
- 2 = Outgoing M12 connection
- 3 = Incoming M12 connection
- 4 = D-SUB PG connection (depending on the version)

D-SUB bus connector - SUBCON-PLUS-PROFIB/35/M12 - 2902320

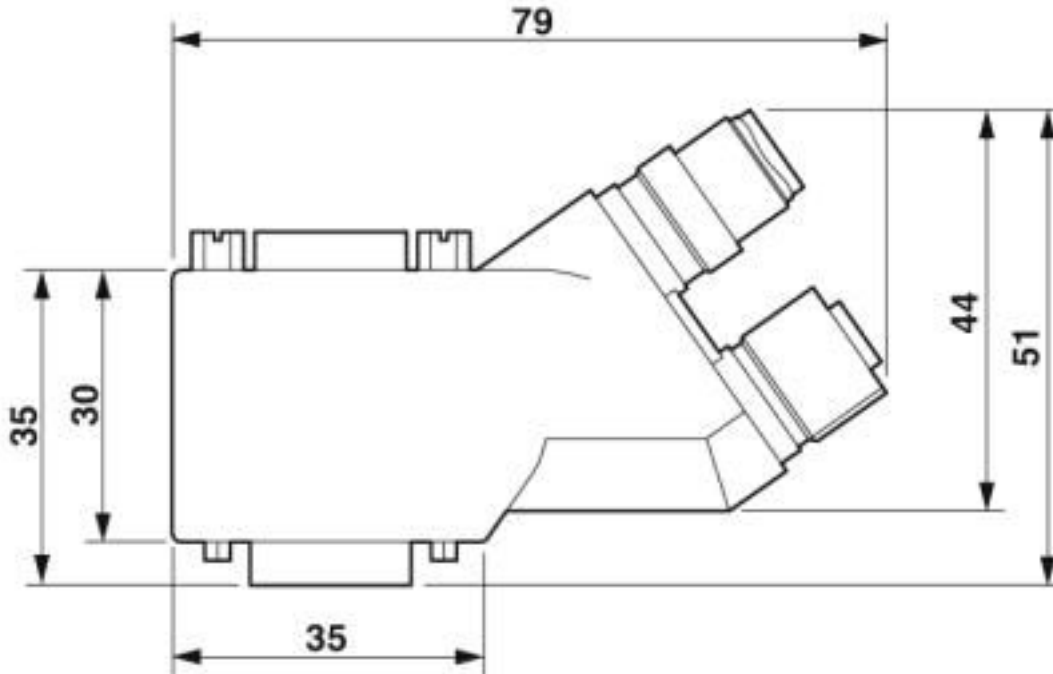
Block diagram



SUBCON-PLUS-PROFIB/...M12 function block diagram

D-SUB bus connector - SUBCON-PLUS-PROFIB/35/M12 - 2902320

Dimensional drawing



SUBCON-PLUS...35...M12 dimensional drawing, 35° version

Classifications

eCl@ss

| | |
|---------------|----------|
| eCl@ss 10.0.1 | 27440302 |
| eCl@ss 4.0 | 27140800 |
| eCl@ss 4.1 | 27140800 |
| eCl@ss 5.0 | 27143400 |
| eCl@ss 5.1 | 27143400 |
| eCl@ss 6.0 | 27143400 |
| eCl@ss 7.0 | 27440302 |
| eCl@ss 8.0 | 27440302 |
| eCl@ss 9.0 | 27440302 |

ETIM

| | |
|----------|----------|
| ETIM 3.0 | EC001132 |
| ETIM 4.0 | EC001132 |
| ETIM 5.0 | EC001132 |
| ETIM 6.0 | EC001132 |

D-SUB bus connector - SUBCON-PLUS-PROFIB/35/M12 - 2902320

Classifications

ETIM

| | |
|----------|----------|
| ETIM 7.0 | EC001132 |
|----------|----------|

UNSPSC

| | |
|---------------|----------|
| UNSPSC 6.01 | 30211802 |
| UNSPSC 7.0901 | 39121402 |
| UNSPSC 11 | 39121402 |
| UNSPSC 12.01 | 39121402 |
| UNSPSC 13.2 | 39121522 |
| UNSPSC 18.0 | 39121522 |
| UNSPSC 19.0 | 39121522 |
| UNSPSC 20.0 | 39121522 |
| UNSPSC 21.0 | 39121522 |

Approvals

Approvals

Approvals

UL Recognized / cUL Recognized / cULus Recognized

Ex Approvals

Approval details

| | | | |
|---------------|--|---|---------------|
| UL Recognized | | http://database.ul.com/cgi-bin/XYV/template/LISEXT/1FRAME/index.htm | FILE E 238705 |
|---------------|--|---|---------------|

| | | | |
|----------------|--|---|---------------|
| cUL Recognized | | http://database.ul.com/cgi-bin/XYV/template/LISEXT/1FRAME/index.htm | FILE E 238705 |
|----------------|--|---|---------------|

| | | | |
|------------------|--|--|--|
| cULus Recognized | | | |
|------------------|--|--|--|

D-SUB bus connector - SUBCON-PLUS-PROFIB/35/M12 - 2902320

Accessories

Accessories

Data cable preassembled

Bus system cable - SAC-2P-MSB/ 0,3-910/FSB SCO - 1518106



Bus system cable, PROFIBUS (12 Mbps), 2-position, PUR halogen-free, violet RAL 4001, shielded, Plug straight M12 SPEEDCON, coding: B, on Socket straight M12 SPEEDCON, coding: B, cable length: 0.3 m

Bus system cable - SAC-2P-MSB/ 1,0-910/FSB SCO - 1518122



Bus system cable, PROFIBUS (12 Mbps), 2-position, PUR halogen-free, violet RAL 4001, shielded, Plug straight M12 SPEEDCON, coding: B, on Socket straight M12 SPEEDCON, coding: B, cable length: 1 m

Bus system cable - SAC-2P-MSB/ 5,0-910/FSB SCO - 1518148



Bus system cable, PROFIBUS (12 Mbps), 2-position, PUR halogen-free, violet RAL 4001, shielded, Plug straight M12 SPEEDCON, coding: B, on Socket straight M12 SPEEDCON, coding: B, cable length: 5 m

Bus system cable - SAC-2P-MSB-FSB SCO/910/... - 1538092



Bus system cable, PROFIBUS (12 Mbps), 2-position, PUR halogen-free, violet RAL 4001, shielded, Plug straight M12 SPEEDCON, coding: B, on Socket straight M12 SPEEDCON, coding: B, cable length: Free input (0.2 ... 40.0 m)

Bus system cable - SAC-2P-FSB SCO/910/... - 1538076



Bus system cable, PROFIBUS (12 Mbps), 2-position, PUR halogen-free, violet RAL 4001, shielded, free cable end, on Socket straight M12 SPEEDCON, coding: B, cable length: Free input (0.2 ... 40.0 m)

D-SUB bus connector - SUBCON-PLUS-PROFIB/35/M12 - 2902320

Accessories

Bus system cable - SAC-2P-MSB/ 2,0-910 SCO - 1518025



Bus system cable, PROFIBUS (12 Mbps), 2-position, PUR halogen-free, violet RAL 4001, shielded, Plug straight M12 SPEEDCON, coding: B, on free cable end, cable length: 2 m

Bus system cable - SAC-2P-FRB SCO/910/... - 1433249



Bus system cable, PROFIBUS (12 Mbps), 2-position, PUR halogen-free, violet RAL 4001, shielded, free cable end, on Socket angled M12 SPEEDCON, coding: B, cable length: Free input (0.2 ... 40.0 m)

Data plug

D-SUB bus connector - SUBCON-PLUS-PROFIB/35/PG/M12 - 2902319



D-SUB plug, 9-pos., pin, with PG-D-SUB socket, assignment: 3, 5, 6, 8; two M12 cable glands (B-coded) under 35°. Bus system: PROFIBUS DP up to 12 Mbps. Termination resistor via separate M12 terminator.

Terminal resistor

Termination resistor - SAC-5P-M12MS PB TR - 1507803



Terminating resistor PROFIBUS M12

D-SUB bus connector - SUBCON-PLUS-PROFIB/35/M12 - 2902320

Accessories

Termination resistor - SAC-5P-M12FS PB TR - 1403911



PROFIBUS M12 termination resistor, female connector version

Termination resistor - PSI-TERMINATOR-PB-TBUS - 2702636



Active termination resistor for PROFIBUS and RS-485 bus systems, redundant power supply, routing of the supply voltage via DIN rail connector, electrical isolation, switchable termination, integrated programming interface
