

Timer relay - ETD-BL-1T-ON- 10S-PT - 2901476


Please be informed that the data shown in this PDF Document is generated from our Online Catalog. Please find the complete data in the user's documentation. Our General Terms of Use for Downloads are valid (<http://phoenixcontact.com/download>)



Timer relay with switch-on delay (voltage-controlled) and an adjustable time range (0.1 s - 10 s), with push-in connection



Key Commercial Data

Packing unit	1 pc
GTIN	 4 046356 599580
GTIN	4046356599580
Weight per Piece (excluding packing)	60.000 g
Custom tariff number	85364900
Country of origin	Germany

Technical data

Dimensions

Width	6.2 mm
Height	80 mm
Depth	86 mm

Ambient conditions

Ambient temperature (operation)	-20 °C ... 65 °C
Ambient temperature (storage/transport)	-25 °C ... 80 °C
Permissible humidity (operation)	15 % ... 85 %
Degree of protection	IP20
Noise immunity	EN 61000-6-2

Coil side

Timer relay - ETD-BL-1T-ON- 10S-PT - 2901476

Technical data

Coil side

Input voltage range	24 V DC (19.2 V DC ...30 V DC)
Function	ON: With switch-on delay
Setting range time	0.1 s ... 10 s

Contact side

Contact type	1 floating PDT
Output fuse	6.3 A (fast-blow)

General

Status display	Green LED (POWER) Yellow LED (relay active)
Mechanical service life	approx. 2×10^7 cycles
Mounting position	any
Assembly instructions	on standard DIN rail NS 35 in accordance with EN 60715
Color	gray
Housing insulation material	Polyamide PA, self-extinguishing
Permissible humidity (operation)	15 % ... 85 %

Connection data

Connection method	Push-in connection
Stripping length	8 mm
Conductor cross section solid	0.14 mm ² ... 2.5 mm ²
Conductor cross section flexible	0.14 mm ² ... 2.5 mm ²
Conductor cross section AWG	26 ... 14

Control contact

Control pulse length	min. 50 ms
----------------------	------------

Standards and Regulations

Electromagnetic compatibility	Conformance with EMC Directive 2004/108/EC
Noise emission	EN 61000-6-4
Noise immunity	EN 61000-6-2
Standards/regulations	EN 50178
Rated insulation voltage	300 V AC
Rated surge voltage	6 kV
Insulation	Basic insulation
Pollution degree	2
Overvoltage category	III
Low Voltage Directive	Conformance with LV directive 2006/95/EC

Environmental Product Compliance

Timer relay - ETD-BL-1T-ON- 10S-PT - 2901476

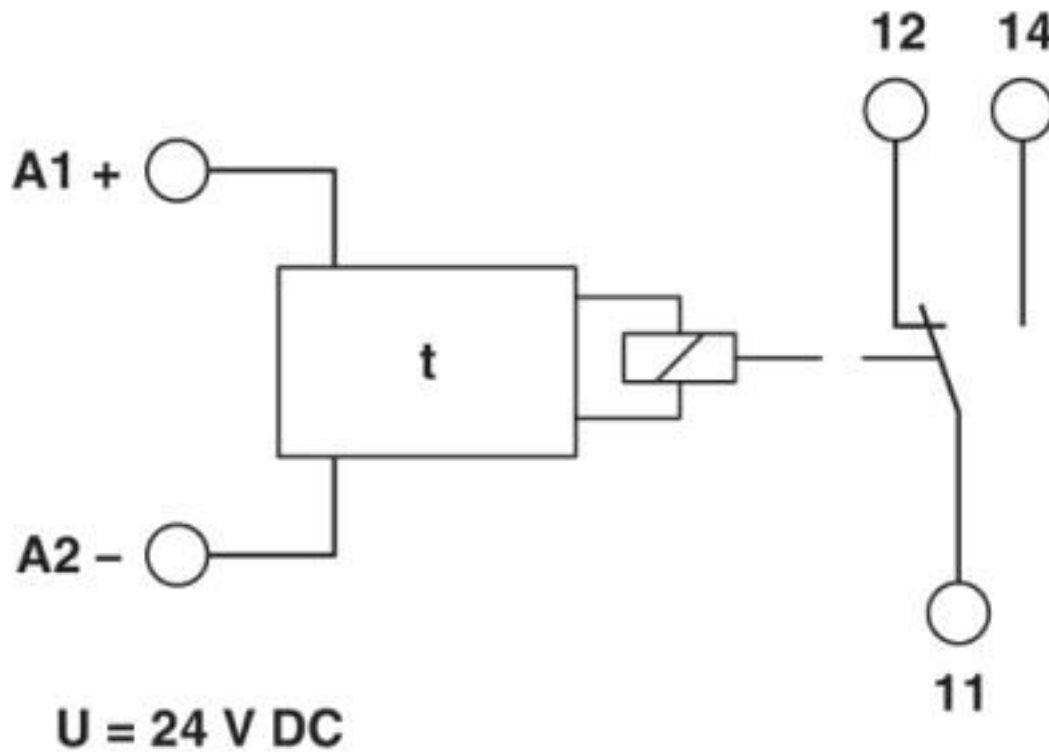
Technical data

Environmental Product Compliance

REACH SVHC	Lead 7439-92-1
China RoHS	Environmentally Friendly Use Period = 50 years
	For details about hazardous substances go to tab "Downloads", Category "Manufacturer's declaration"

Drawings

Block diagram



Classifications

eCl@ss

eCl@ss 10.0.1	27371605
eCl@ss 4.0	27371100
eCl@ss 4.1	27371100
eCl@ss 5.0	27371700
eCl@ss 5.1	27371700
eCl@ss 6.0	27371700

Timer relay - ETD-BL-1T-ON- 10S-PT - 2901476

Classifications

eCl@ss

eCl@ss 7.0	27371790
eCl@ss 8.0	27371605
eCl@ss 9.0	27371605

ETIM

ETIM 2.0	EC001439
ETIM 3.0	EC001439
ETIM 4.0	EC001439
ETIM 5.0	EC001439
ETIM 6.0	EC001439
ETIM 7.0	EC001439

UNSPSC

UNSPSC 6.01	30211920
UNSPSC 7.0901	39121519
UNSPSC 11	39121519
UNSPSC 12.01	39121519
UNSPSC 13.2	39122329
UNSPSC 18.0	39122329
UNSPSC 19.0	39122329
UNSPSC 20.0	39122329
UNSPSC 21.0	39122329

Approvals

Approvals

Approvals

GL / GL-SW / UL Listed / cUL Listed / EAC / GL / cULus Listed

Ex Approvals

ATEX

Approval details

Timer relay - ETD-BL-1T-ON- 10S-PT - 2901476

Approvals

GL		https://approvalfinder.dnvgl.com/	75808-09 HH
----	---	---	-------------

GL-SW			75808-09 HH
-------	--	--	-------------

UL Listed		http://database.ul.com/cgi-bin/XYV/template/LISEXT/1FRAME/index.htm	FILE E 172140
-----------	---	---	---------------

cUL Listed		http://database.ul.com/cgi-bin/XYV/template/LISEXT/1FRAME/index.htm	FILE E 172140
------------	---	---	---------------

EAC			RU C- DE.**08.B-00957
-----	--	--	--------------------------

GL			
----	---	--	--

cULus Listed			
--------------	---	--	--