

## Hybrid motor starter - ELR H3-IES-SC- 24DC/500AC-2 - 2900567

Please be informed that the data shown in this PDF Document is generated from our Online Catalog. Please find the complete data in the user's documentation. Our General Terms of Use for Downloads are valid (<http://phoenixcontact.com/download>)




Hybrid motor starter for starting 3~ AC motors up to 500 V AC and 2.4 A output current, with 24 V DC control voltage, adjustable overload shutdown and emergency stop function to SIL 3/PL e and, screw connection.

### Your advantages

- 22.5 mm wide
- Safety level according to IEC 61508-1: SIL 3, ISO 13849: PL e
- Reduction in wiring
- Long service life
- Space saving
- 3-phase loop bridges
- Adjustable current for bimetal function
- Low-wear switching



### Key Commercial Data

|                                      |   |
|--------------------------------------|---|
| Packing unit                         | 1 pc  |
| GTIN                                 | <br>4 046356 526135 |
| GTIN                                 | 4046356526135   |
| Weight per Piece (excluding packing) | 300.000 g   |
| Custom tariff number                 | 85371098  |
| Country of origin                    | Germany   |

### Technical data

#### Dimensions

|        |         |
|--------|---------|
| Width  | 22.5 mm |
| Height | 107 mm  |

# Hybrid motor starter - ELR H3-IES-SC- 24DC/500AC-2 - 2900567

## Technical data

### Dimensions

|       |        |
|-------|--------|
| Depth | 114 mm |
|-------|--------|

### Ambient conditions

|   |                                     |
|---|-------------------------------------|
| Ambient temperature (operation)         | -25 °C ... 70 °C (observe derating) |
| Ambient temperature (storage/transport) | -40 °C ... 80 °C                    |
| Maximum altitude                        | ≤ 2000 m                            |
| Degree of protection                    | IP20                                |

### Device supply

|  |                             |
|--|-----------------------------|
| Rated control circuit supply voltage $U_S$ | 24 V DC                     |
| Control supply voltage range               | 19.2 V DC ... 30 V DC       |
| Rated control supply current $I_S$         | 40 mA                       |
| Type of protection                         | Surge protection            |
|  | Reverse polarity protection |

### Input data

|                               |                               |
|-------------------------------|-------------------------------|
| Input name                    | Control input                 |
| Rated actuating voltage $U_C$ | 24 V DC                       |
| Triggering voltage range      | 19.2 V DC ... 30 V DC         |
| Rated actuating current $I_C$ | 5 mA (Input type 1)           |
| Switching threshold           | 9.6 V ("0" signal)            |
|                               | 19.2 V ("1" signal)           |
| Switching level               | < 5 V DC (For EMERGENCY STOP) |
| Typical turn-off time         | < 30 ms                       |
| Type of protection            | Reverse polarity protection   |

### Output data load output

|   |                                    |
|---|------------------------------------|
| Output name                                       | AC output                          |
| Rated operating voltage $U_e$                     | 500 V AC                           |
| Operating voltage range                           | 42 V AC ... 550 V AC               |
| Rated operating current $I_e$                     | 2.4 A (AC-51)                      |
|   | 2.4 A (AC-53a)                     |
| Mains frequency                                   | 50/60 Hz                           |
| Load current range                                | 180 mA ... 2.4 A (see to derating) |
| Trigger characteristic in acc. with IEC 60947-4-2 | Class 10A                          |
| Cooling time                                      | 20 min. (for auto reset)           |
| Leakage current                                   | 0 mA                               |
| Type of protection                                | Surge protection                   |

### Output data reply output

# Hybrid motor starter - ELR H3-IES-SC- 24DC/500AC-2 - 2900567

## Technical data

### Output data reply output

|   |  |
|---|--|
| Output name                                   | Acknowledge output   |
| Note  | Confirmation: floating change-over contact, signal contact |
| Contact type                                  | 1 PDT  |
| Switching capacity according to IEC 60947-5-1 | 3 A (230 V, AC15)  |
|   | 2 A (24 V, DC13)   |

### General

|                           |  |
|---------------------------|--|
| Motor starter type        | Direct starter                                     |
| Switching frequency       | ≤ 2 Hz (Load-dependent)                            |
| Mounting position         | vertical (horizontal DIN rail, motor output below) |
| Mounting type             | DIN rail mounting                                  |
| Assembly instructions     | alignable, for spacing see derating                |
| Operating mode            | 100% operating factor                              |
| Maximum power dissipation | 3.3 W  |
| Minimum power dissipation | 1.1 W  |
| Operating voltage display | Green LED  |
| Status display            | Yellow LED   |
| Indication                | Red LED  |

### Connection data

|                                  |   |
|----------------------------------|---|
| Connection name                  | Control circuits                                  |
| Connection method                | Screw connection                                  |
| Stripping length                 | 8 mm  |
| Screw thread                     | M3  |
| Conductor cross section solid    | 0.2 mm <sup>2</sup> ... 2.5 mm <sup>2</sup>       |
| Conductor cross section flexible | 0.2 mm <sup>2</sup> ... 2.5 mm <sup>2</sup>       |
| Conductor cross section AWG      | 24 ... 14   |
| Torque                           | 0.5 Nm ... 0.6 Nm                                 |
|                                  | 5 lb <sub>f</sub> -in. ... 7 lb <sub>f</sub> -in. |

### Connection data 2

|                                  |   |
|----------------------------------|---|
| Connection name                  | Load circuit                                |
| Connection method                | Screw connection                            |
| Stripping length                 | 8 mm  |
| Screw thread                     | M3  |
| Conductor cross section solid    | 0.2 mm <sup>2</sup> ... 2.5 mm <sup>2</sup> |
| Conductor cross section flexible | 0.2 mm <sup>2</sup> ... 2.5 mm <sup>2</sup> |
| Conductor cross section AWG      | 24 ... 14                                   |
| Torque                           | 0.5 Nm ... 0.6 Nm                           |

# Hybrid motor starter - ELR H3-IES-SC- 24DC/500AC-2 - 2900567

## Technical data

### Connection data 2

|  |   |
|--|---|
|  | 5 lb <sub>f</sub> -in. ... 7 lb <sub>f</sub> -in. |
|--|---|

### Insulation characteristics

|                          |  |
|--------------------------|--|
| Rated insulation voltage | 500 V  |
| Rated surge voltage      | 6 kV   |
| Overvoltage category     | III  |
| Degree of pollution      | 2  |
| Designation              | Insulation characteristics between the control input and control supply voltage, and auxiliary circuit to the main circuit |
| Insulation               | Safe isolation (IEC 60947-1/EN 50178) at operating voltage ≤ 300 V AC  |
|                          | Basic isolation (IEC 60947-1) at operating voltage 300 ... 500 V AC  |
|                          | Safe isolation (EN 50178) at operating voltage 300 ... 500 V AC  |
| Designation              | Isolation characteristics between the control input and control supply voltage to auxiliary circuit                        |
| Insulation               | Safe isolation (IEC 60947-1) in the auxiliary circuit ≤ 300 V AC   |
|                          | Safe isolation (EN 50178) in the auxiliary circuit ≤ 300 V AC  |

### Standards and Regulations

|                       |                       |
|-----------------------|-----------------------|
| Designation           | Standards/regulations |
| Standards/regulations | IEC 60947-1           |
|                       | IEC 60947-4-2         |
|                       | IEC 61508             |
|                       | ISO 13849             |

### Conformance/approvals

|                 |   |
|-----------------|---|
| Designation     | ATEX                                    |
| Identification  | # II (2) G [Ex e] [Ex d] [Ex px]        |
|                 | # II (2) D [Ex t] [Ex p]                |
| Certificate     | PTB 07 ATEX 3145                        |
| Designation     | UL approval                             |
| Certificate     | NLDX.E228652                            |
| Designation     | Safety Integrity Level (SIL, IEC 61508) |
| Identification  | ≤ 3                                     |
| Additional text | Safe shutdown                           |
| Designation     | Safety Integrity Level (SIL, IEC 61508) |
| Identification  | 2                                       |
| Additional text | Motor protection                        |
| Designation     | Performance Level (ISO 13849)           |
| Identification  | ≤ e                                     |

## Hybrid motor starter - ELR H3-IES-SC- 24DC/500AC-2 - 2900567

### Technical data

#### Conformance/approvals

|                 |                      |
|-----------------|----------------------|
| Additional text | Safe shutdown        |
| Designation     | Category (ISO 13849) |
| Identification  | ≤ 3                  |
| Additional text | Safe shutdown        |

#### UL data

|                    |  |
|--------------------|--|
| SCCR               | 100 kA (500 V AC (fuse: 30 A class CC/30 A class J (high fault)))      |
|                    | 5 kA (500 V AC (fuse: 20 A RK5 (standard fault)))                      |
| FLA                | 2.4 A (500 V AC)   |
| Group installation | 20 A (class RK5, SCCR 5kA, #24 - 14 AWG max. solid and stranded)       |
|                    | 30 A (class CC or J, SCCR 100kA, #24 - 14 AWG max, solid and stranded) |
| Category code      | NLDX   |

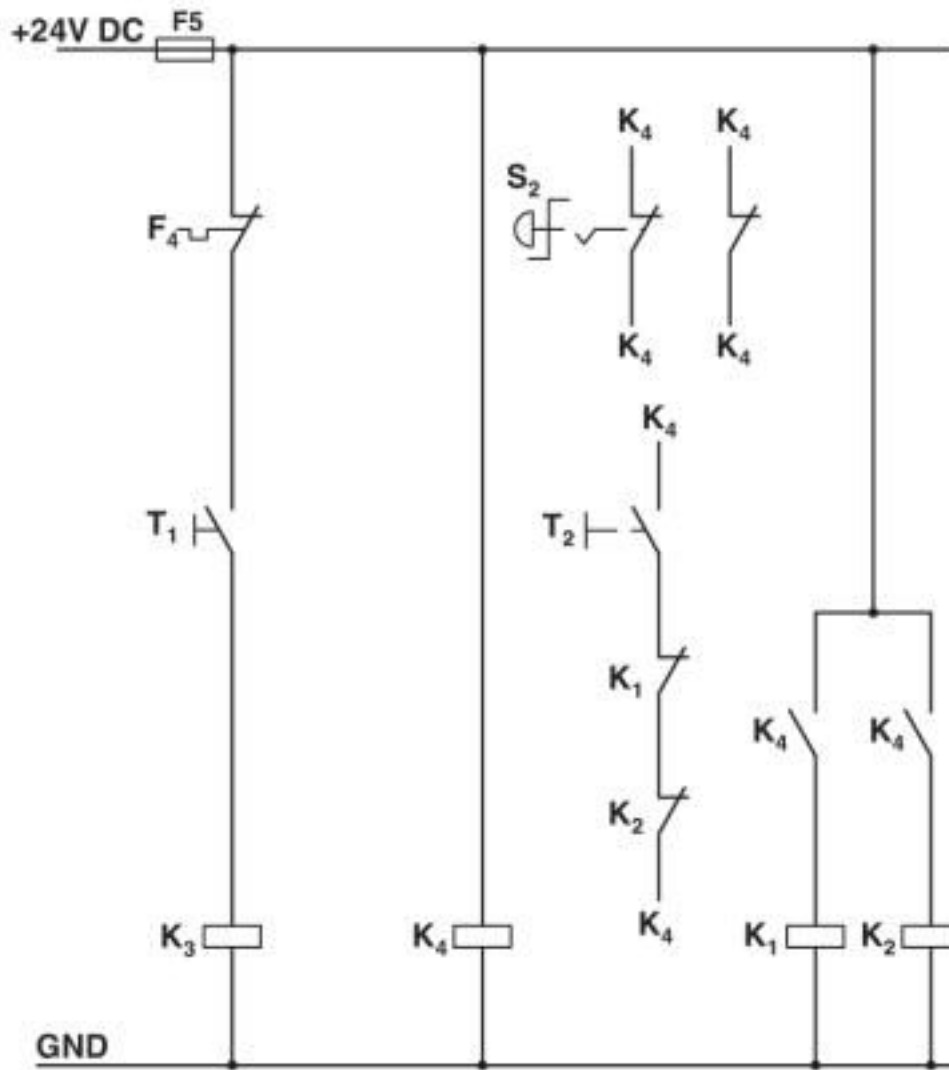
#### Environmental Product Compliance

|            |   |
|------------|---|
| REACH SVHC | Lead 7439-92-1  |
| China RoHS | Environmentally Friendly Use Period = 50 years  |
|            | For details about hazardous substances go to tab "Downloads", Category "Manufacturer's declaration" |

### Drawings

# Hybrid motor starter - ELR H3-IES-SC- 24DC/500AC-2 - 2900567

Circuit diagram

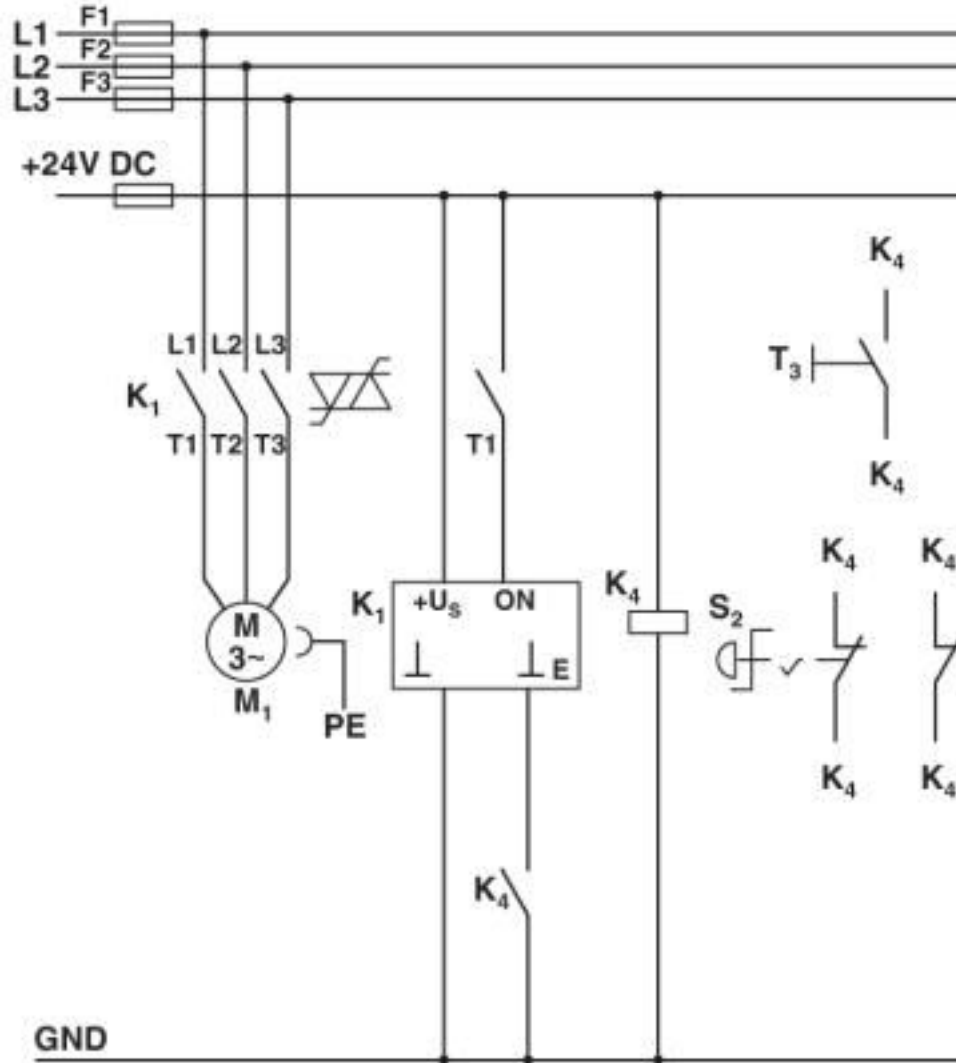


Conventional structure  
Control current path for contactor according to category 3

- K1 + K2 = Emergency stop contactor
- K3 = Right contactor
- K4 = PSR SCP-24DC.../safety relay
- T1 = Right, T3 = Reset
- S2 = Emergency stop
- F4 = Motor protection relay

# Hybrid motor starter - ELR H3-IES-SC- 24DC/500AC-2 - 2900567

Circuit diagram



Structure with CONTACTRON

Main and control current path for '3 in 1' hybrid motor starter according to category 3

K1 = '3 in 1' hybrid motor starter

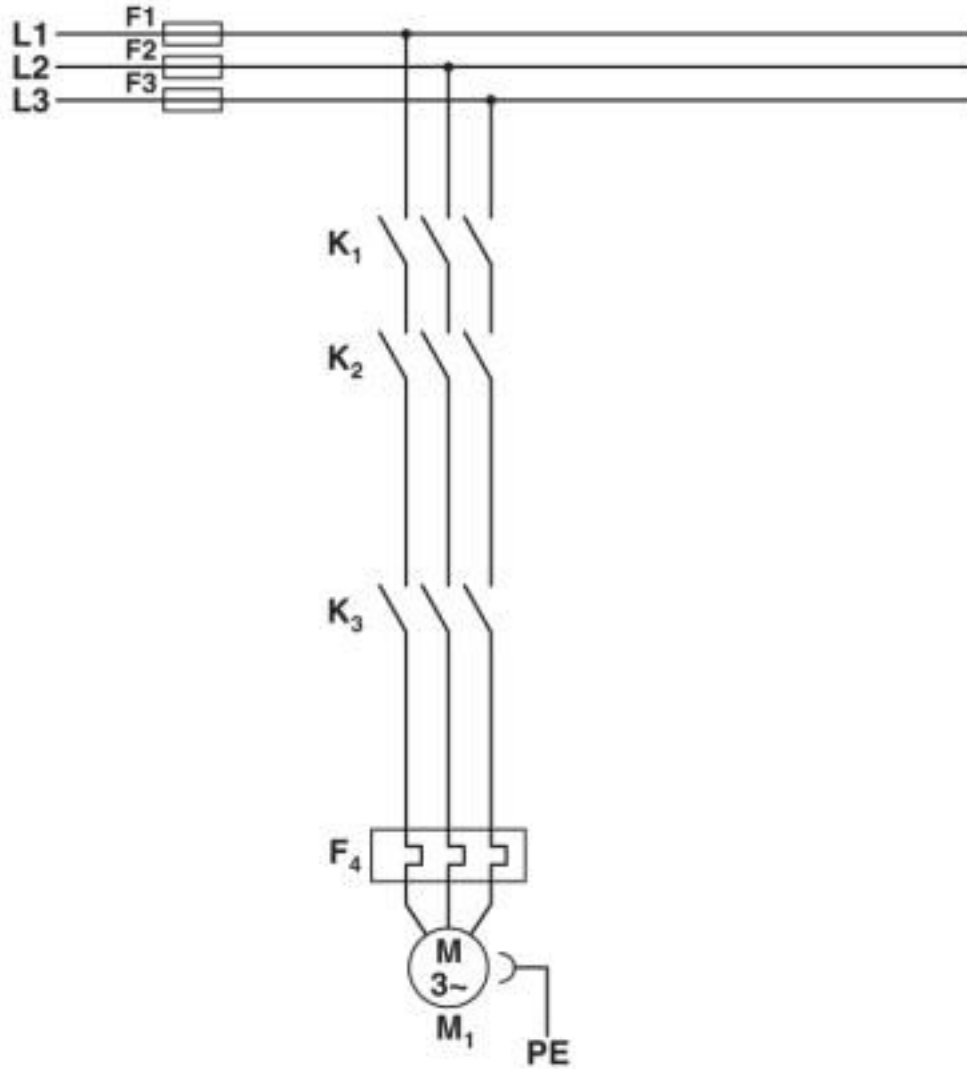
K4 = PSR SCP-24DC.../safety relay

T1 = Right, T3 = Reset

S2 = Emergency stop

# Hybrid motor starter - ELR H3-IES-SC- 24DC/500AC-2 - 2900567

Circuit diagram



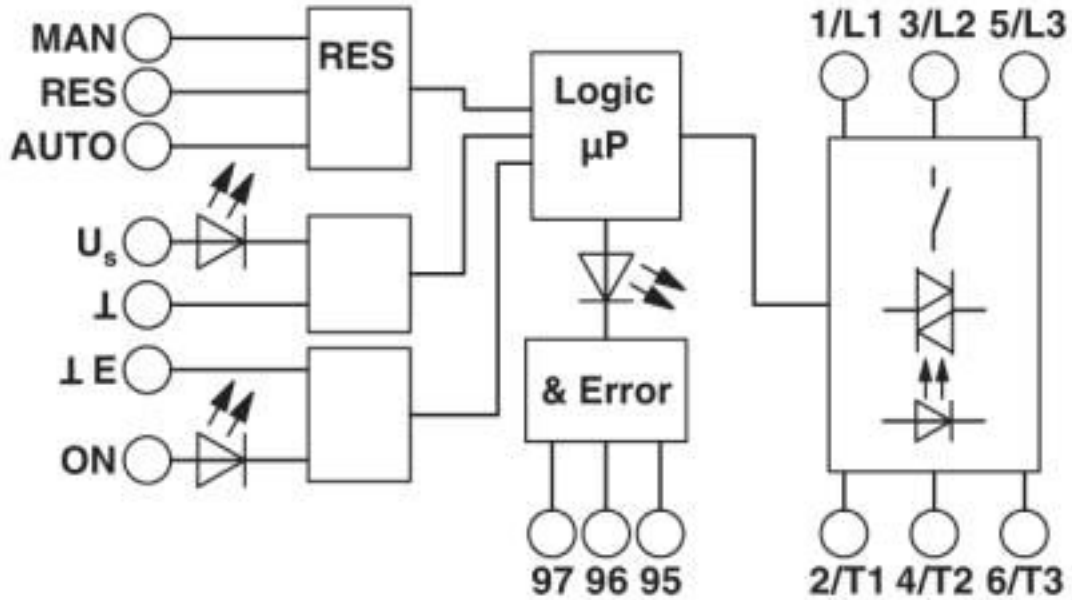
Conventional structure  
Main current path for contactor according to category 3

- K1 + K2 = Emergency stop contactor
- K3 = Right contactor
- F4 = Motor protection relay

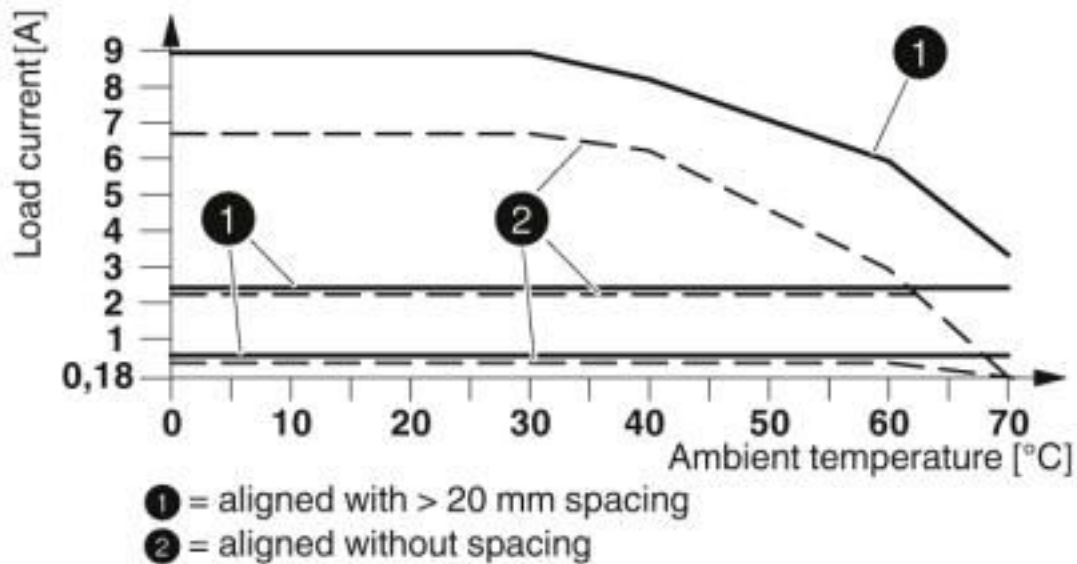


# Hybrid motor starter - ELR H3-IES-SC- 24DC/500AC-2 - 2900567

Block diagram



Diagram



Derating diagram

# Hybrid motor starter - ELR H3-IES-SC- 24DC/500AC-2 - 2900567

## Classifications

### eCl@ss

|               |          |
|---------------|----------|
| eCl@ss 10.0.1 | 27370905 |
| eCl@ss 4.0    | 27021100 |
| eCl@ss 4.1    | 27021100 |
| eCl@ss 5.0    | 27024000 |
| eCl@ss 5.1    | 27024000 |
| eCl@ss 6.0    | 27024000 |
| eCl@ss 7.0    | 27024002 |
| eCl@ss 8.0    | 27024002 |
| eCl@ss 9.0    | 27370905 |

### ETIM

|          |          |
|----------|----------|
| ETIM 2.0 | EC001037 |
| ETIM 3.0 | EC001037 |
| ETIM 4.0 | EC001037 |
| ETIM 5.0 | EC001037 |
| ETIM 6.0 | EC001037 |
| ETIM 7.0 | EC001037 |

### UNSPSC

|               |          |
|---------------|----------|
| UNSPSC 6.01   | 30211915 |
| UNSPSC 7.0901 | 39121514 |
| UNSPSC 11     | 39121514 |
| UNSPSC 12.01  | 39121514 |
| UNSPSC 13.2   | 25173902 |
| UNSPSC 18.0   | 25173902 |
| UNSPSC 19.0   | 25173902 |
| UNSPSC 20.0   | 25173902 |
| UNSPSC 21.0   | 25173902 |

## Approvals

### Approvals

---

Approvals

UL Listed / cUL Listed / GL / GL-SW / UL Listed / IECCE CB Scheme / cUL Listed / CCC / EAC / GL

---

# Hybrid motor starter - ELR H3-IES-SC- 24DC/500AC-2 - 2900567

## Approvals

Ex Approvals

ATEX

### Approval details

|                 |  |   |                          |
|-----------------|--|---|--------------------------|
| UL Listed       |  | <a href="http://database.ul.com/cgi-bin/XYV/template/LISEXT/1FRAME/index.htm">http://database.ul.com/cgi-bin/XYV/template/LISEXT/1FRAME/index.htm</a> | FILE E 228652            |
| cUL Listed      |  | <a href="http://database.ul.com/cgi-bin/XYV/template/LISEXT/1FRAME/index.htm">http://database.ul.com/cgi-bin/XYV/template/LISEXT/1FRAME/index.htm</a> | FILE E 228652            |
| GL              |  | <a href="https://approvalfinder.dnvgl.com/">https://approvalfinder.dnvgl.com/</a>   | 54757-08 HH              |
| GL-SW           |  |   | 54757-08 HH              |
| UL Listed       |  | <a href="http://database.ul.com/cgi-bin/XYV/template/LISEXT/1FRAME/index.htm">http://database.ul.com/cgi-bin/XYV/template/LISEXT/1FRAME/index.htm</a> | FILE E 323771            |
| IECEE CB Scheme |  | <a href="http://www.iecee.org/">http://www.iecee.org/</a>   | DE1-55728                |
| cUL Listed      |  | <a href="http://database.ul.com/cgi-bin/XYV/template/LISEXT/1FRAME/index.htm">http://database.ul.com/cgi-bin/XYV/template/LISEXT/1FRAME/index.htm</a> | FILE E 323771            |
| CCC             |  |   | 2016010304871315         |
| EAC             |  |   | RU*C-<br>DE.*08.B.00520* |

# Hybrid motor starter - ELR H3-IES-SC- 24DC/500AC-2 - 2900567

## Approvals



## Accessories

### Accessories

#### Adapter

Adapter - EM-CPS-DA-22,5F/16A - 1002668



Device adapter with fuse holder for 16 A fuse (10x38/Class CC), CrossLink® interface and fixed DIN rail

#### Assembly adapter

Power distribution board - EM-CPS-225 - 1002634



Modular power distribution board with CrossLink® interface, 125 A, 3-pos., touch-proof and protection against polarity reversal, width: 225 mm

Power distribution board - EM-CPS-405 - 1002635



Modular power distribution board with CrossLink® interface, 125 A, 3-pos., touch-proof and protection against polarity reversal, width: 405 mm

Connection module - EM-CPS-TB3/63A - 1002633



Connection module with integrated spring-loaded terminals for cables from 1.5 to 16 mm<sup>2</sup>, 3-pos., maximum 63 A

## Hybrid motor starter - ELR H3-IES-SC- 24DC/500AC-2 - 2900567

### Accessories

#### Bridge

Jumper - BRIDGE- 4-3M - 2901659



3-phase loop bridge for 4 CONTACTRON modules, with screw connection and 22.5 mm housing width, connecting cable: 3 m

---

#### Cover

Covering hood - BRIDGE COVER - 2906240



The BRIDGE COVER covering hood is used to cover unused plugs on the CONTACTRON bridge that may subsequently be used to extend the system. The hood can be used with the screw and Push-in version of the bridge.

---

#### Device marking

Plastic label - US-EMLP (15X5) - 0828790



Plastic label, Card, white, unlabeled, can be labeled with: BLUEMARK ID COLOR, BLUEMARK ID, THERMOMARK PRIME, THERMOMARK CARD 2.0, THERMOMARK CARD, mounting type: adhesive, lettering field size: 15 x 5 mm, Number of individual labels: 189

Plastic label - UC-EMLP (15X5) - 0819301



Plastic label, Sheet, white, unlabeled, can be labeled with: BLUEMARK ID COLOR, BLUEMARK ID, BLUEMARK CLED, PLOTMARK, CMS-P1-PLOTTER, mounting type: adhesive, lettering field size: 15 x 5 mm, Number of individual labels: 10

---

#### Loop bridge

## Hybrid motor starter - ELR H3-IES-SC- 24DC/500AC-2 - 2900567

### Accessories

#### Jumper - BRIDGE- 2 - 2900746



3-phase loop bridge for 2 CONTACTRON modules, with screw connection and 22.5 mm housing width, connecting cable: 0.3 m, with ferrules.

---

#### Jumper - BRIDGE- 3 - 2900747



3-phase loop bridge for 3 CONTACTRON modules, with screw connection and 22.5 mm housing width, connecting cable: 0.3 m, with ferrules.

---

#### Jumper - BRIDGE- 4 - 2900748



3-phase loop bridge for 4 CONTACTRON modules, with screw connection and 22.5 mm housing width, connecting cable: 0.3 m, with ferrules.

---

#### Jumper - BRIDGE- 5 - 2900749



3-phase loop bridge for 5 CONTACTRON modules, with screw connection and 22.5 mm housing width, connecting cable: 0.3 m, with ferrules.

---

#### Jumper - BRIDGE- 6 - 2900750



3-phase loop bridge for 6 CONTACTRON modules, with screw connection and 22.5 mm housing width, connecting cable: 0.3 m, with ferrules.

---

## Hybrid motor starter - ELR H3-IES-SC- 24DC/500AC-2 - 2900567

### Accessories

#### Jumper - BRIDGE- 7 - 2900751



3-phase loop bridge for 7 CONTACTRON modules, with screw connection and 22.5 mm housing width, connecting cable: 0.3 m, with ferrules.

---

#### Jumper - BRIDGE- 8 - 2900752



3-phase loop bridge for 8 CONTACTRON modules, with screw connection and 22.5 mm housing width, connecting cable: 0.3 m, with ferrules.

---

#### Jumper - BRIDGE- 9 - 2900753



3-phase loop bridge for 9 CONTACTRON modules, with screw connection and 22.5 mm housing width, connecting cable: 0.3 m, with ferrules.

---

#### Jumper - BRIDGE-10 - 2900754



3-phase loop bridge for 10 CONTACTRON modules, with screw connection and 22.5 mm housing width, connecting cable: 0.3 m, with ferrules.

---

#### Jumper - BRIDGE- 2-3M - 2901543



3-phase loop bridge for 2 CONTACTRON modules, with screw connection and 22.5 mm housing width, connecting cable: 3 m

## Hybrid motor starter - ELR H3-IES-SC- 24DC/500AC-2 - 2900567

### Accessories

Jumper - BRIDGE- 3-3M - 2901656



3-phase loop bridge for 3 CONTACTRON modules, with screw connection and 22.5 mm housing width, connecting cable: 3 m

---

Jumper - BRIDGE- 5-3M - 2901545



3-phase loop bridge for 5 CONTACTRON modules, with screw connection and 22.5 mm housing width, connecting cable: 3 m

---

Jumper - BRIDGE- 6-3M - 2901697



3-phase loop bridge for 6 CONTACTRON modules, with screw connection and 22.5 mm housing width, connecting cable: 3 m

---

Jumper - BRIDGE- 7-3M - 2901698



3-phase loop bridge for 7 CONTACTRON modules, with screw connection and 22.5 mm housing width, connecting cable: 3 m

---

Jumper - BRIDGE- 8-3M - 2901700



3-phase loop bridge for 8 CONTACTRON modules, with screw connection and 22.5 mm housing width, connecting cable: 3 m

---



## Hybrid motor starter - ELR H3-IES-SC- 24DC/500AC-2 - 2900567

### Accessories

Jumper - BRIDGE- 9-3M - 2901701



3-phase loop bridge for 9 CONTACTRON modules, with screw connection and 22.5 mm housing width, connecting cable: 3 m

---

Jumper - BRIDGE-10-3M - 2901702



3-phase loop bridge for 10 CONTACTRON modules, with screw connection and 22.5 mm housing width, connecting cable: 3 m

---

Jumper - BRIDGE- 2-1M - 2901542



3-phase loop bridge for 2 CONTACTRON modules, with screw connection and 22.5 mm housing width, connecting cable: 1 m

---

Jumper - BRIDGE- 3-1M - 2901655



3-phase loop bridge for 3 CONTACTRON modules, with screw connection and 22.5 mm housing width, connecting cable: 1 m

---

Jumper - BRIDGE- 4-1M - 2901658



3-phase loop bridge for 4 CONTACTRON modules, with screw connection and 22.5 mm housing width, connecting cable: 1 m

---

## Hybrid motor starter - ELR H3-IES-SC- 24DC/500AC-2 - 2900567

### Accessories

Jumper - BRIDGE- 5-1M - 2901544



3-phase loop bridge for 5 CONTACTRON modules, with screw connection and 22.5 mm housing width, connecting cable: 1 m

---

Jumper - BRIDGE- 6-1M - 2901649



3-phase loop bridge for 6 CONTACTRON modules, with screw connection and 22.5 mm housing width, connecting cable: 1 m

---

---