

## Type 3 surge protection device - MNT-TAE D - 2882381

Please be informed that the data shown in this PDF Document is generated from our Online Catalog. Please find the complete data in the user's documentation. Our General Terms of Use for Downloads are valid (<http://phoenixcontact.com/download>)

Socket attachment plug with surge protection for the power supply and signal connection of an end device with analog or digital telecommunications interface (VDSL up to 50 Mbps, on short paths (< 300 m) up to 80 Mbps). Cable is included.




### Your advantages

- Easy operation
- Thermal monitoring of the protective circuit
- Compact protection for termination devices
- Green LED - operating indicator for the power supply



### Key Commercial Data

Packing unit	1
GTIN	 4 046356 073455
GTIN	4046356073455
Custom tariff number	85363010

### Technical data

#### Dimensions

Height	103 mm
Width	63 mm
Depth	78 mm

#### Ambient conditions

Ambient temperature (operation)	-25 °C ... 75 °C
Ambient temperature (storage/transport)	-25 °C ... 75 °C

#### General

# Type 3 surge protection device - MNT-TAE D - 2882381

## Technical data

### General

Housing material	PA 6
Flammability rating according to UL 94	V-0
Color	jet black RAL 9005
For country-specific use in	D
Mounting type	Plugging into the mains socket
Type	Attachment plug
Direction of action	L/N-PE & Signal Line-Earth Ground

### Protective circuit, power supply

EN type	T3
Nominal voltage $U_N$	230 V AC
Arrester rated voltage $U_C$ (L-N)	275 V AC
Arrester rated voltage $U_C$ (L-PE)	360 V AC
Arrester rated voltage $U_C$ (N-PE)	360 V AC
Nominal frequency $f_N$	50 Hz (60 Hz)
Rated load current $I_L$	16 A (30 °C)
Standby power consumption $P_C$	$\leq 1$ VA
Residual current $I_{PE}$	$\leq 5$ $\mu$ A
Nominal discharge current $I_n$ (8/20) $\mu$ s	3 kA (> 5x)
Combination wave $U_{OC}$	4 kV
Energy absorption symmetrical	140 J (L-N)
Energy absorption, asymmetrical	220 J (L(N)-PE)
Voltage protection level $U_p$ (L-N)	$\leq 1.2$ kV
Voltage protection level $U_p$ (L-PE)	$\leq 1.5$ kV
Voltage protection level $U_p$ (N-PE)	$\leq 1.5$ kV
Response time (L-N)	$\leq 25$ ns
Response time (L-PE)	$\leq 100$ ns
Response time (N-PE)	$\leq 100$ ns
Surge protection fault message	optical
Max. required back-up fuse	16 A (gG / B / C)

### Connection (protective circuit, power supply)

Connection method	Grounding plug/socket
Connection method IN	Grounding plug
Connection method OUT	Grounding socket

### Protective circuit, information technology

Arrester rated voltage $U_C$	200 V DC
------------------------------	----------

# Type 3 surge protection device - MNT-TAE D - 2882381

## Technical data

### Protective circuit, information technology

Rated current	150 mA (25 °C)
Operating effective current $I_C$ at $U_C$	$\leq 150 \mu\text{A}$
Residual current $I_{PE}$	$\leq 2 \mu\text{A}$
Insulation resistance $R_{iso}$	$\geq 1 \text{ M}\Omega$
	$\geq 1 \text{ G}\Omega$
Nominal discharge current $I_n$ (8/20) $\mu\text{s}$ (line-line)	1 kA
Nominal discharge current $I_n$ (8/20) $\mu\text{s}$ (line-earth)	2.5 kA
Max. discharge current $I_{max}$ (8/20) $\mu\text{s}$	2.5 kA
Voltage protection level $U_p$ (line-line)	$\leq 460 \text{ V}$ (C2 - 1 kA)
	$\leq 350 \text{ V}$ (C3 - 25 A)
Voltage protection level $U_p$ (line-earth)	$\leq 900 \text{ V}$ (C2 - 2 kA)
	$\leq 900 \text{ V}$ (C3 - 100 A)
Response time $t_A$ (line-line)	$\leq 25 \text{ ns}$
Response time $t_A$ (line-earth)	$\leq 100 \text{ ns}$
Cut-off frequency $f_g$ (3 dB), sym. in 100 Ohm system	typ. 4 MHz
Cut-off frequency $f_g$ (3 dB), sym. in 150 Ohm system	typ. 3 MHz
Cut-off frequency $f_g$ (3 dB), sym. in 600 Ohm system	typ. 700 kHz
Capacity (line-line)	typ. 1 nF
Capacity (line-earth)	typ. 5 pF
Output voltage limitation at 1 kV/ $\mu\text{s}$ (wire-wire)	$\leq 360 \text{ V}$
Residual voltage at $I_n$ (line-line)	$\leq 500 \text{ V}$
Residual voltage at $I_n$ (line-earth)	$\leq 30 \text{ V}$
Residual voltage with $I_{an}$ (10/1000) $\mu\text{s}$ (line-line)	$\leq 35 \text{ V}$
Residual voltage with $I_{an}$ (10/1000) $\mu\text{s}$ (line-earth)	$\leq 35 \text{ V}$
Impulse durability (line-line)	C2 - 2 kV / 1 kA
	C3 - 25 A
Impulse durability (line-earth)	C2 - 4 kV / 2 kA
	C3 - 100 A
	D1 - 500 A
Alternating current carrying capacity (line-line)	250 mA - 1 s
Alternating current carrying capacity (line-earth)	10 A - 1 s
Pulse reset time (line-line)	$\leq 15 \text{ ms}$

### Power supply, general

Connection method	RJ12-/TAE 6
Connection method IN	RJ12 female connector
Connection method OUT	TAE 6 socket

# Type 3 surge protection device - MNT-TAE D - 2882381

## Technical data

Connection, equipotential bonding, information technology

Connection method	Via protective contact plug
-------------------	-----------------------------

Standards (protective circuit, information technology)

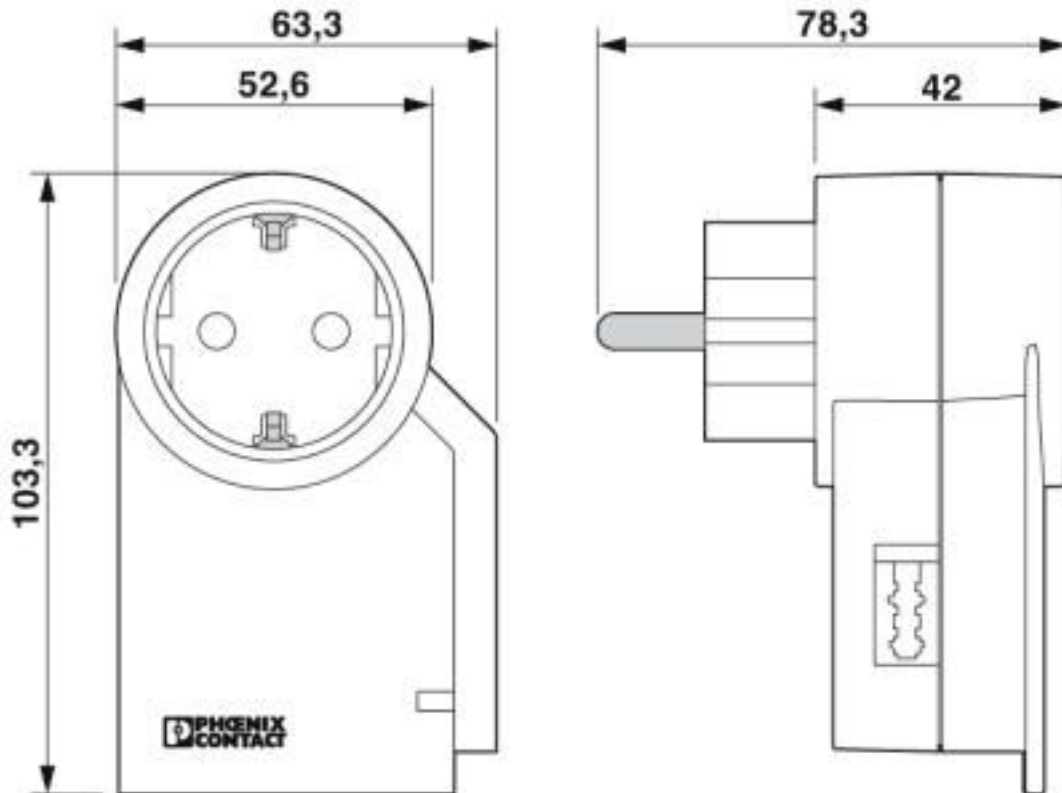
IEC test classification	C1
	C2
	C3
	D1

Environmental Product Compliance

REACH SVHC	Lead 7439-92-1
------------	----------------

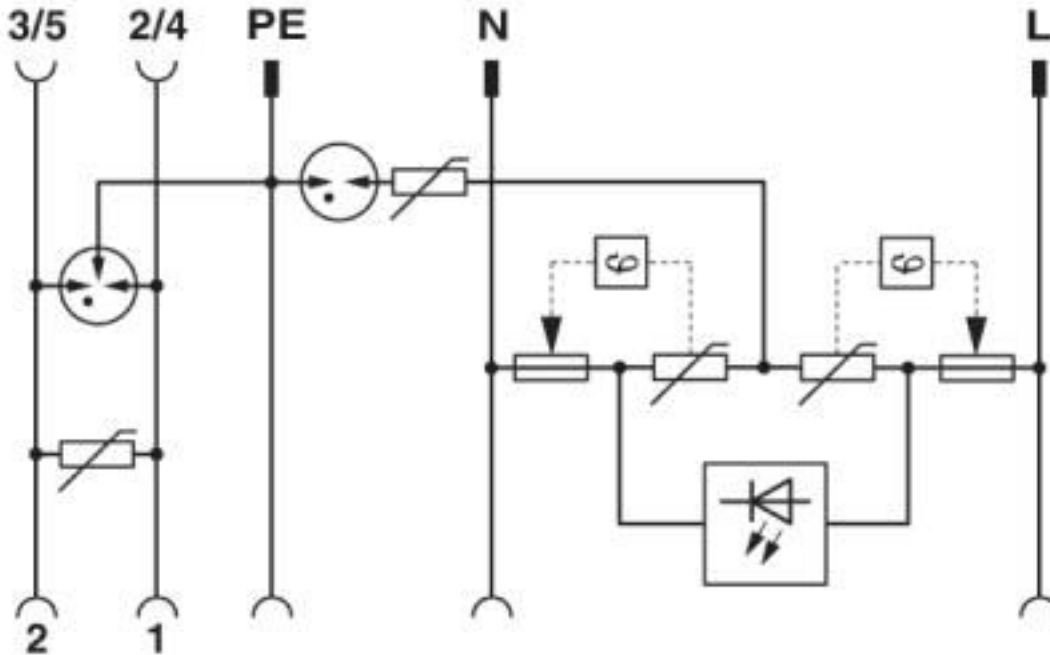
## Drawings

Dimensional drawing



## Type 3 surge protection device - MNT-TAE D - 2882381

Circuit diagram



### Classifications

eCl@ss

eCl@ss 10.0.1	27130810
eCl@ss 4.0	27130800
eCl@ss 4.1	27130800
eCl@ss 5.0	27130800
eCl@ss 5.1	27130800
eCl@ss 6.0	27130800
eCl@ss 7.0	27130810
eCl@ss 8.0	27130810
eCl@ss 9.0	27130810

ETIM

ETIM 2.0	EC001473
ETIM 3.0	EC001473
ETIM 4.0	EC001473
ETIM 5.0	EC001473
ETIM 6.0	EC001473
ETIM 7.0	EC001473

# Type 3 surge protection device - MNT-TAE D - 2882381

## Classifications

### UNSPSC

UNSPSC 6.01	30212010
UNSPSC 7.0901	39121610
UNSPSC 11	39121610
UNSPSC 12.01	39121610
UNSPSC 13.2	39121620
UNSPSC 18.0	39121620
UNSPSC 19.0	39121620
UNSPSC 20.0	39121620
UNSPSC 21.0	39121620

## Approvals

### Approvals

---

Approvals


EAC

---

Ex Approvals

---

### Approval details

EAC		RU C- DE.A*30.B01561
-----	---	-------------------------

---