

Type 3 surge protection device - MNT-1 CH II - 2882255


Please be informed that the data shown in this PDF Document is generated from our Online Catalog. Please find the complete data in the user's documentation. Our General Terms of Use for Downloads are valid (<http://phoenixcontact.com/download>)



Attachment plug with surge protection for mains sockets, optical power and error display. Country-specific version: CH



Key Commercial Data

Packing unit	1
GTIN	 4 046356 143547
GTIN	4046356143547
Custom tariff number	85363010

Technical data

Dimensions

Height	76 mm
Width	56 mm
Depth	79 mm

Ambient conditions

Degree of protection	IP20
Ambient temperature (operation)	-25 °C ... 75 °C
Ambient temperature (storage/transport)	-25 °C ... 75 °C
Altitude	≤ 2000 m (amsl (above mean sea level))
Permissible humidity (operation)	5 % ... 95 %

General

EN type	T3
Number of ports	One

Type 3 surge protection device - MNT-1 CH II - 2882255

Technical data

General

Mode of protection	L-N
	L-PE
	N-PE
Mounting type	Plugging into the mains socket
Color	jet black RAL 9005
Housing material	PA 6
Degree of pollution	2
Flammability rating according to UL 94	V-0
Type	Attachment plug
Surge protection fault message	optical
For country-specific use in	CH

Protective circuit

Nominal voltage U_N	230/400 V AC (TN)
	230/400 V AC (TT - only in use with RCD)
Nominal frequency f_N	50 Hz (60 Hz)
Maximum continuous operating voltage U_C (L-N)	275 V AC
Maximum continuous operating voltage U_C (L-PE)	360 V AC
Maximum continuous operating voltage U_C (N-PE)	360 V AC
Rated load current I_L	10 A
Residual current I_{PE}	$\leq 5 \mu\text{A}$
Nominal discharge current I_n (8/20) μs	3 kA (> 5x)
Standby power consumption P_C	$\leq 1 \text{ VA}$
Reference test voltage U_{REF}	255 V AC
Combination wave U_{OC}	4 kV
Energy absorption symmetrical	140 J (L-N (L))
Energy absorption, asymmetrical	220 J (L(N)-PE)
Voltage protection level U_p (L-N)	$\leq 1.2 \text{ kV}$
Voltage protection level U_p (L-PE)	$\leq 1.5 \text{ kV}$
Voltage protection level U_p (N-PE)	$\leq 1.5 \text{ kV}$
TOV behavior at U_T (L-N)	335 V AC (5 s / withstand mode)
	440 V AC (120 min / safe failure mode)
TOV behavior at U_T (L-PE)	440 V AC (5 s / withstand mode)
	440 V AC (120 min / withstand mode)
	1455 V AC (200 ms / safe failure mode)
TOV behavior at U_T (N-PE)	1200 V AC (200 ms / safe failure mode)
Response time t_A (L-N)	$\leq 25 \text{ ns}$

Type 3 surge protection device - MNT-1 CH II - 2882255

Technical data

Protective circuit

Response time t_A (L-PE)	≤ 100 ns
Response time t_A (N-PE)	≤ 100 ns
Max. required back-up fuse	10 A (gG / B / C)
Short-circuit current rating I_{SCCR}	1.5 kA AC
Max. backup fuse with branch wiring	10 A (gG / B / C)

Connection data

Connection method	Grounding plug/socket
-------------------	-----------------------

Standards and Regulations

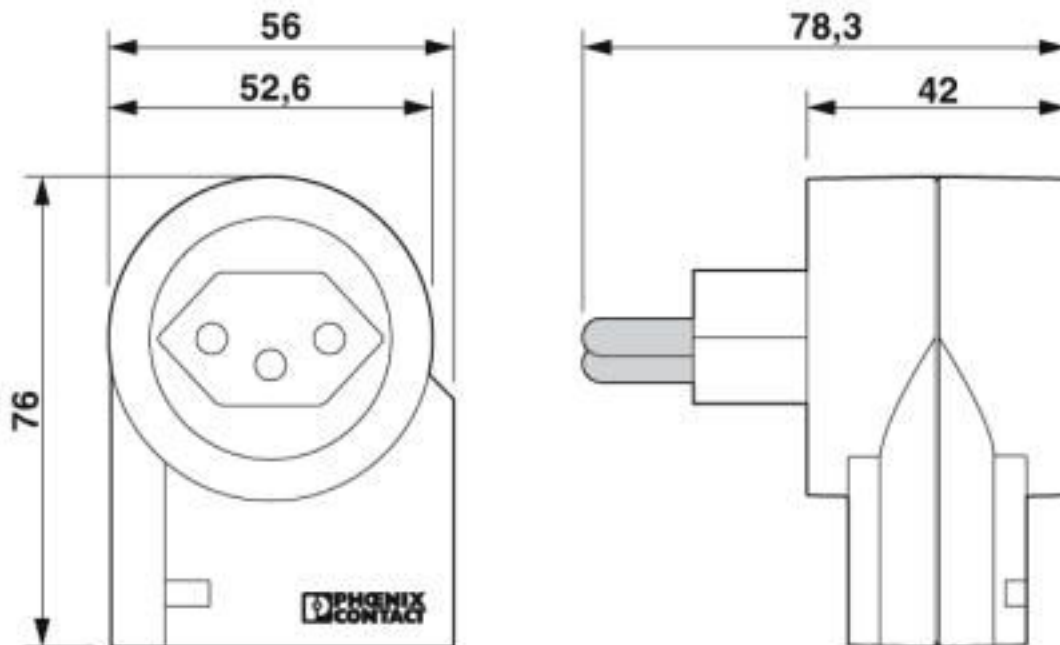
Standards/specifications	IEC 61643-11 2011
	EN 61643-11 2012

Environmental Product Compliance

REACH SVHC	Lead 7439-92-1
------------	----------------

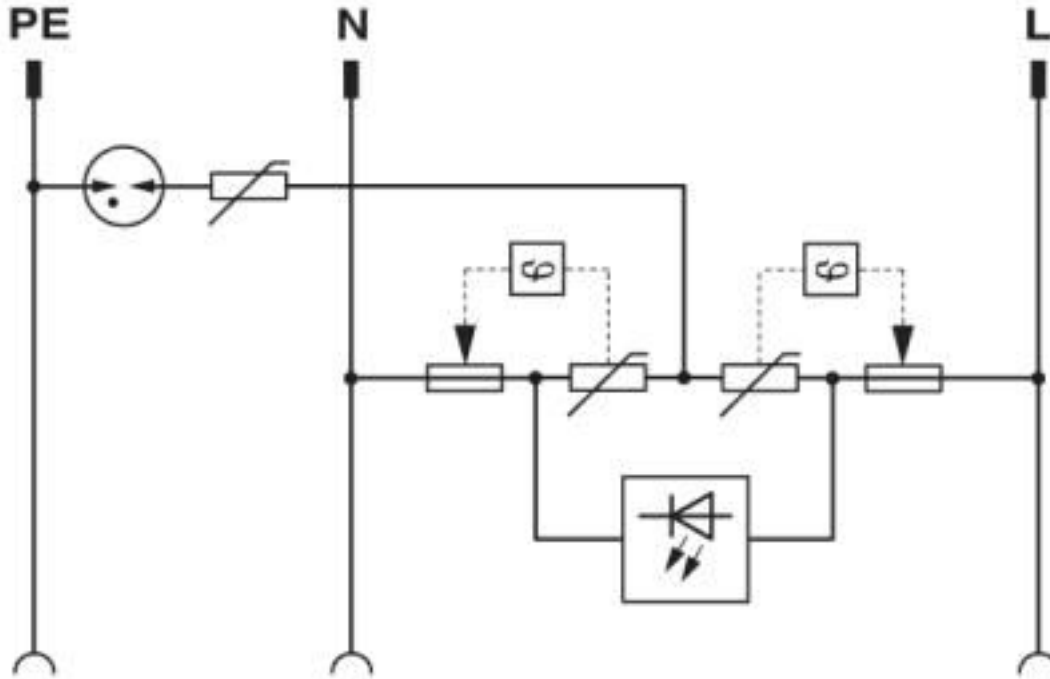
Drawings

Dimensional drawing



Type 3 surge protection device - MNT-1 CH II - 2882255

Circuit diagram



Classifications

eCl@ss

eCl@ss 10.0.1	27130806
eCl@ss 4.0	27130800
eCl@ss 4.1	27130800
eCl@ss 5.0	27130800
eCl@ss 5.1	27130800
eCl@ss 6.0	27130800
eCl@ss 7.0	27130806
eCl@ss 8.0	27130806
eCl@ss 9.0	27130806

ETIM

ETIM 2.0	EC000942
ETIM 3.0	EC000942
ETIM 4.0	EC000942
ETIM 5.0	EC000942
ETIM 6.0	EC000942
ETIM 7.0	EC000942

Type 3 surge protection device - MNT-1 CH II - 2882255

Classifications

UNSPSC

UNSPSC 6.01	30212010
UNSPSC 7.0901	39121610
UNSPSC 11	39121610
UNSPSC 12.01	39121610
UNSPSC 13.2	39121620
UNSPSC 18.0	39121620
UNSPSC 19.0	39121620
UNSPSC 20.0	39121620
UNSPSC 21.0	39121620

Approvals


Approvals

Approvals

EAC

Ex Approvals

Approval details

EAC		RU C- DE.A*30.B01561
-----	---	-------------------------
