

## Timer relay - ETD-SL-1T-DTF - 2866161

Please be informed that the data shown in this PDF Document is generated from our Online Catalog. Please find the complete data in the user's documentation. Our General Terms of Use for Downloads are valid (<http://phoenixcontact.com/download>)



Multi-functional timer relay with 8 functions and an adjustable time range (50 ms - 100 h), wide-range power supply unit, 2 PDTs

### Product Description

Increasingly higher demands are being placed on safety and system availability – across all sectors. Processes are becoming more and more complex, not only in mechanical engineering and the chemical industry, but also in plant and automation technology. Demands on power engineering are also increasing constantly.


The timer relays in the ETD series can be used to control time sequences in production and process technology.

### Your advantages

- Universal use thanks to wide range of functions and selectable time ranges
- Time ranges from a few milliseconds to several days
- 2 floating PDT outputs
- Variable supply voltage range



### Key Commercial Data

Packing unit	1 pc
GTIN	 4 046356 046596
GTIN	4046356046596
Weight per Piece (excluding packing)	150.600 g
Custom tariff number	85364900
Country of origin	Austria

### Technical data

#### Note

Utilization restriction	EMC: class A product, see manufacturer's declaration in the download area
-------------------------	---

# Timer relay - ETD-SL-1T-DTF - 2866161

## Technical data

### Dimensions

Width	22.5 mm
Height	90 mm
Depth	113 mm

### Ambient conditions

Ambient temperature (operation)	-25 °C ... 55 °C
	-25 °C ... 40 °C (corresponds to UL 508)
Ambient temperature (storage/transport)	-25 °C ... 70 °C
Permissible humidity (operation)	15 % ... 85 %
Degree of protection	IP40 (Housing)
	IP20 (Connection terminal blocks)
Noise immunity	EN 61000-6-2

### Coil side

Input voltage range	24 V DC ... 240 V DC -20 % ... +25 %
	24 V AC ... 240 V AC -15 % ... +10 %
Temperature sensitivity	≤ 0.01 %/K
Function	E: With switch-on delay
	Rs: With release delay and control contact
	Es: With switch-on delay and control contact
	Wu: With single shot leading edge, voltage controlled
	Ws: With single shot leading edge and control contact
	Wa: With single shot trailing edge and control contact
	Bi: Flashing beginning with pulse
	Bp: Flashing beginning with pause
Setting range time	50 ms ... 100 h (7 time end ranges)
Recovery time	500 ms

### Contact side

Contact type	2 floating PDT contacts
Maximum switching voltage	250 V AC (in acc. with IEC 60664-1)
Interrupting rating (ohmic load) max.	750 VA (3 A/250 V AC, module aligned, ≤ 5 mm spacing)
	1250 VA (5 A/250 V AC, module not aligned, ≥ 5 mm spacing)
Output fuse	5 A (fast-blow)

### General

Status display	Green LED (POWER)
	Yellow LED (relay active)
Mechanical service life	approx. 2x 10 <sup>7</sup> cycles

# Timer relay - ETD-SL-1T-DTF - 2866161

## Technical data

### General

Nominal power consumption	2.5 VA (1 W)
Test voltage relay winding/relay contact	4 kV
Mounting position	any
Assembly instructions	on standard DIN rail NS 35 in accordance with EN 60715
Color	green
Housing insulation material	Polyamide PA, self-extinguishing
Permissible humidity (operation)	15 % ... 85 %
Nominal frequency	48 Hz ... 63 Hz

### Connection data

Connection method	Screw connection
Stripping length	8 mm
Conductor cross section solid	0.5 mm <sup>2</sup> ... 2.5 mm <sup>2</sup>
Conductor cross section flexible	0.5 mm <sup>2</sup> ... 2.5 mm <sup>2</sup>
Conductor cross section AWG	20 ... 14
Torque	1 Nm ... 1 Nm

### Control contact

Connection name	Non-floating, terminals A1-B1
Load capacity	Parallel switched minimum load current 1 VA (0.5 W), terminals A2-B1
Cable length	< 10 m
Control pulse length	min. 70 ms

### Standards and Regulations

Electromagnetic compatibility	Conformance with EMC Directive 2004/108/EC
Noise emission	EN 61000-6-4
Noise immunity	EN 61000-6-2
Standards/regulations	EN 50178
Rated insulation voltage	300 V
Insulation	Basic insulation
Pollution degree	2
Overvoltage category	III
Low Voltage Directive	Conformance with LV directive 2006/95/EC

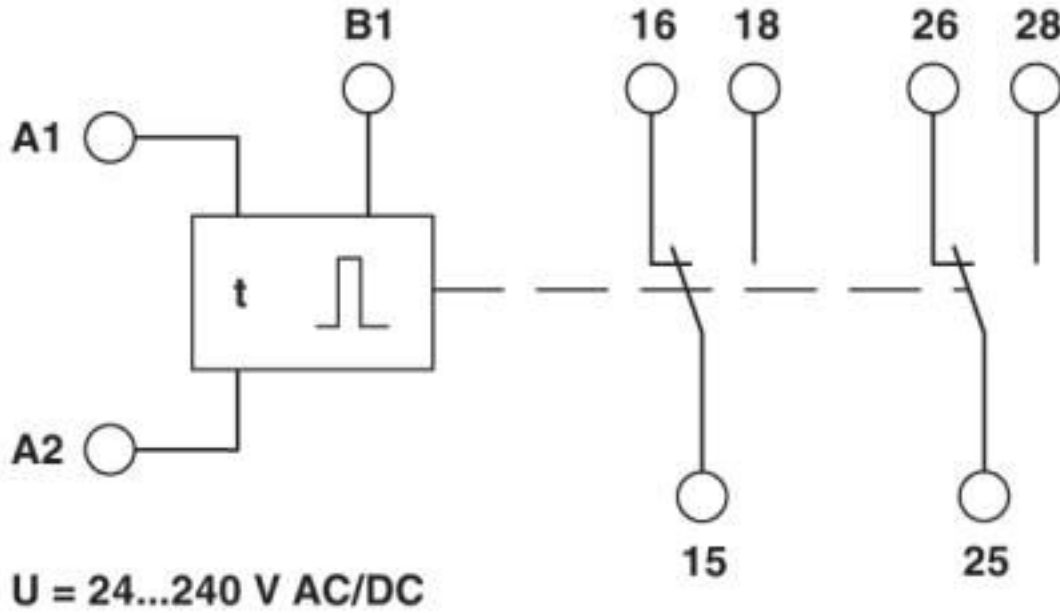
### Environmental Product Compliance

China RoHS	Environmentally friendly use period: unlimited = EFUP-e
	No hazardous substances above threshold values

## Drawings

# Timer relay - ETD-SL-1T-DTF - 2866161

Block diagram



## Classifications

eCl@ss

eCl@ss 10.0.1	27371605
eCl@ss 4.0	27371100
eCl@ss 4.1	27371100
eCl@ss 5.0	27371700
eCl@ss 5.1	27371700
eCl@ss 6.0	27371700
eCl@ss 7.0	27371790
eCl@ss 8.0	27371605
eCl@ss 9.0	27371605

ETIM

ETIM 2.0	EC001439
ETIM 3.0	EC001439
ETIM 4.0	EC001439
ETIM 5.0	EC001439
ETIM 6.0	EC001439
ETIM 7.0	EC001439

# Timer relay - ETD-SL-1T-DTF - 2866161

## Classifications

### UNSPSC

UNSPSC 6.01	30211920
UNSPSC 7.0901	39121519
UNSPSC 11	39121519
UNSPSC 12.01	39121519
UNSPSC 13.2	39122329
UNSPSC 18.0	39122329
UNSPSC 19.0	39122329
UNSPSC 20.0	39122329
UNSPSC 21.0	39122329

## Approvals

### Approvals

Approvals

UL Listed / cUL Listed / EAC / cULus Listed

Ex Approvals

### Approval details

UL Listed		<a href="http://database.ul.com/cgi-bin/XYV/template/LISEXT/1FRAME/index.htm">http://database.ul.com/cgi-bin/XYV/template/LISEXT/1FRAME/index.htm</a>	FILE E 172140
-----------	--	---	---------------

cUL Listed		<a href="http://database.ul.com/cgi-bin/XYV/template/LISEXT/1FRAME/index.htm">http://database.ul.com/cgi-bin/XYV/template/LISEXT/1FRAME/index.htm</a>	FILE E 172140
------------	--	---	---------------

EAC			RU C- DE. **08.B-00957
-----	--	--	---------------------------

cULus Listed			
--------------	--	--	--

