

Solenoid driver - MACX MCR-EX-SL-SD-21-25-LP - 2865492

Please be informed that the data shown in this PDF Document is generated from our Online Catalog. Please find the complete data in the user's documentation. Our General Terms of Use for Downloads are valid (<http://phoenixcontact.com/download>)



Ex i solenoid driver. For the intrinsically safe control of Ex i solenoid valves, alarm modules or LEDs installed in the Ex area. Current limitation at 25 mA. For gases up to Group IIC, loop-powered, electrical isolation, SIL 3. Screw connection.

Your advantages

- ✓ Mechanically compatible with the DIN rail connector
- ✓ Various output characteristic curves compatible with standard solenoid valves
- ✓ Loop-powered: the required power is supplied via the control signal on the input side.
- ✓ Installation in zone 2, protection type "n" (EN 60079-15) permitted
- ✓ Up to SIL 3 according to IEC 61508
- ✓ 2-way electrical isolation
- ✓ Output [Ex ia] IIC/[Ex ia] IIB
- ✓ Input: 19.2 V DC ... 30 V DC



Key Commercial Data

| | |
|--------------------------------------|---------------|
| Packing unit | 1 pc |
| GTIN | |
| GTIN | 4046356160551 |
| Weight per Piece (excluding packing) | 140.000 g |
| Custom tariff number | 85437090 |
| Country of origin | Germany |

Technical data

Note

| | |
|-------------------------|---|
| Utilization restriction | EMC: class A product, see manufacturer's declaration in the download area |
|-------------------------|---|

Solenoid driver - MACX MCR-EX-SL-SD-21-25-LP - 2865492

Technical data

Dimensions

| | |
|--------|----------|
| Width | 12.5 mm |
| Height | 112.5 mm |
| Depth | 113.7 mm |

Ambient conditions

| | |
|---|--|
| Ambient temperature (operation) | -40 °C ... 60 °C (Any mounting position) |
| Ambient temperature (storage/transport) | -40 °C ... 80 °C |
| Maximum altitude | ≤ 2000 m |
| Permissible humidity (operation) | 10 % ... 95 % (non-condensing) |
| Degree of protection | IP20 (not assessed by UL) |
| Noise immunity | EN 61000-6-2 |

Output data

| | |
|--|---|
| Output characteristic curve: Output resistor | 641.1 Ω (Internal resistance R _i) |
| Response time | 20 ms |

Compatible valves

| | |
|------------------|---|
| Note | This is an extract of possible combinations of valves and solenoid drivers. |
| Compatible valve | Norgren Herion Coil 2080 / 2082 |
| | Norgren Herion Coil 2081 / 2083 |
| | Norgren Herion Coil 2084 |
| | Hörbiger Piezo P8 38x RF-Nx-SPN65 30 V type |
| | Hörbiger Piezo P20 381RF-NG-CPN61 30 V type |
| | Samson Coil 3701-11 (6 V) |
| | Samson Coil 3701-12 (12 V) |
| | Samson Coil 3701-13 (24 V) |
| | Samson Coil 3963-11 (6 V) |
| | Samson Coil 3963-12 (12 V) |
| | Samson Coil 3963-13 (24 V) |
| | Samson Coil 3964-11 (6 V) |
| | Samson Coil 3964-12 (12 V) |
| | Samson Coil 3964-13 (24 V) |
| | Seitz Pilot valve PV 12F73 Ci oH |
| | Seitz Pilot valve PV 12F73 Xi oH |
| | Seitz Pilot valve PV 12F73 Xi oH-2 |

Power supply

| | |
|-------------------|-----------|
| Power dissipation | < 0.845 W |
|-------------------|-----------|

Connection data

Solenoid driver - MACX MCR-EX-SL-SD-21-25-LP - 2865492

Technical data

Connection data

| | |
|----------------------------------|---|
| Connection method | Screw connection |
| Stripping length | 7 mm |
| Screw thread | M3 |
| Conductor cross section solid | 0.2 mm ² ... 2.5 mm ² |
| Conductor cross section flexible | 0.2 mm ² ... 2.5 mm ² |
| Conductor cross section AWG | 24 ... 14 |
| Torque | 0.5 Nm ... 0.6 Nm |

General

| | |
|---------------------------------|--|
| No. of channels | 1 |
| Maximum temperature coefficient | 0.01 %/K |
| Status display | Yellow LED (switching state / status, lights up when output circuit is active) |
| Degree of pollution | 2 |
| Overvoltage category | II |
| Electromagnetic compatibility | Conformance with EMC directive |
| Interference emission | EN 61000-6-4 |
| Housing material | PA 6.6-FR |
| Color | gray |
| Designation | Output/input |
| Electrical isolation | 375 V (Peak value in accordance with IEC/EN 60079-11) |

Safety characteristic data

| | |
|--|--|
| Integrity requirement | IEC 61508 - Low demand |
| Equipment type | Type A |
| Safety Integrity Level (SIL) | 3 |
| Safe Failure Fraction (SFF) | 100 % |
| λ_{SU} | 2.84×10^{-7} (284 FIT) |
| λ_{SD} | 0 |
| λ_{DU} | 0 |
| λ_{DD} | 0 |
| Probability of a hazardous failure on demand (PFD _{AVG}) | 0 (1 year) |
| | 0 (5 years) |
| | 0 (10 years) |
| Diagnostic coverage (DC) | DC _S =0 %, DC _D =0 % |

Safety data

| | |
|---|------------|
| Input power P _i | negligible |
| Max. internal inductance L _i | negligible |

Solenoid driver - MACX MCR-EX-SL-SD-21-25-LP - 2865492

Technical data

Safety data

| | |
|---------------------------------|----------------|
| Max. internal capacitance C_i | negligible |
| Max. output voltage U_o | 25.1 V |
| Max. output current I_o | 39 mA |
| Max. output power P_o | 245 mW |
| Group | IIC |
| Max. external inductivity L_o | 22 mH |
| Max. external capacitance C_o | 0.108 μ F |
| Additional text | simple circuit |
| Group | IIC |
| Max. external inductivity L_o | 20 mH |
| Max. external capacitance C_o | 68 nF |
| Additional text | mixed circuit |
| Group | IIC |
| Max. external inductivity L_o | 10 mH |
| Max. external capacitance C_o | 68 nF |
| Additional text | mixed circuit |
| Group | IIC |
| Max. external inductivity L_o | 5 mH |
| Max. external capacitance C_o | 68 nF |
| Additional text | mixed circuit |
| Group | IIC |
| Max. external inductivity L_o | 1 mH |
| Max. external capacitance C_o | 79 nF |
| Additional text | mixed circuit |
| Group | IIC |
| Max. external inductivity L_o | 0.1 mH |
| Max. external capacitance C_o | 108 nF |
| Additional text | mixed circuit |
| Group | IIB/IIIC |
| Max. external inductivity L_o | 90 mH |
| Max. external capacitance C_o | 0.83 μ F |
| Additional text | simple circuit |
| Group | IIB/IIIC |
| Max. external inductivity L_o | 100 mH |
| Max. external capacitance C_o | 270 nF |
| Additional text | mixed circuit |

Solenoid driver - MACX MCR-EX-SL-SD-21-25-LP - 2865492

Technical data

Safety data

| | |
|--------------------------------------|---------------------|
| Group | IIB/IIIC |
| Max. external inductivity L_o | 5 mH |
| Max. external capacitance C_o | 430 nF |
| Additional text | mixed circuit |
| Group | IIB/IIIC |
| Max. external inductivity L_o | 1 mH |
| Max. external capacitance C_o | 470 nF |
| Additional text | mixed circuit |
| Group | IIB/IIIC |
| Max. external inductivity L_o | 0.1 mH |
| Max. external capacitance C_o | 830 nF |
| Additional text | mixed circuit |
| Safety-related maximum voltage U_m | 253 V AC (125 V DC) |

Standards and Regulations

| | |
|-------------------------------|---|
| Electromagnetic compatibility | Conformance with EMC directive |
| Noise emission | EN 61000-6-4 |
| Conformance | CE-compliant, additionally EN 61326 |
| ATEX | # II (1) G [Ex ia Ga] IIC/IIB/IIA |
| | # II (1) D [Ex ia Da] IIIC |
| | # II 3 (1)G Ex nA [ja IIC Ga] IIC T4 Gc X |
| IECEX | [Ex ia Ga] IIC/IIB/IIA |
| | [Ex ia Da] IIIC |
| | Ex nA [ja IIC Ga] IIC T4 Gc |
| UL, USA/Canada | Class I Div 2; IS for Class I, II, III Div 1 |
| DNV GL-Temperature | B |
| DNV GL-Humidity | B |
| DNV GL-Vibration | A |
| DNV GL-EMC | A |
| DNV GL-Enclosure | Required protection according to the Rules shall be provided upon installation on board |
| Group | IIC |
| | IIC |
| | IIC |
| | IIC |
| | IIC |
| | IIC |

Solenoid driver - MACX MCR-EX-SL-SD-21-25-LP - 2865492

Technical data

Conformance/approvals

| | |
|-----------------|---|
| Designation | CE |
| Identification | CE-compliant |
| Additional text | and EN 61326 |
| Designation | ATEX |
| Identification | # II (1) G [Ex ia Ga] IIC/IIB/IIA |
| | # II (1) D [Ex ia Da] IIIC |
| | # II 3 (1)G Ex nA [ja IIC Ga] IIC T4 Gc X |
| Certificate | IBExU 07 ATEX 1133X |
| Designation | IECEX |
| Identification | [Ex ia Ga] IIC/IIB/IIA |
| | [Ex ia Da] IIIC |
| | Ex nA [ja IIC Ga] IIC T4 Gc |
| Certificate | IECEX IBE 08.0002X |
| Designation | UL, USA/Canada |
| Identification | UL 61010 Listed |
| | Class I, Div. 2, Groups A, B, C, D T4 |
| | Class I, Div. 2, Groups IIC, IIB, IIA T4 |
| | Associated apparatus for use in Class I, Division 1, Groups A,B,C,D |
| | Associated apparatus for use in Class II, Div.1 Groups E,F,D |
| | Associated apparatus for use in Class III, Division 1 |
| | Associated apparatus for use in Class I, Zone 0,1,2, Groups IIC,IIB,IIA |
| Certificate | #, C.D.-No 83104549 |
| Designation | UL, USA/Canada |
| Identification | Class I Div 2; IS for Class I, II, III Div 1 |
| Certificate | #, C.D.-No 83104549 |
| Designation | Shipbuilding approval |
| Certificate | DNV GL TAA000020C |
| Designation | Safety Integrity Level (SIL, IEC 61508) |
| Identification | 3 |
| Designation | INMETRO |
| Identification | [Ex ia Ga] IIC/IIB/IIA |
| | [Ex ia Da] IIIC |
| | Ex nA [ja IIC Ga] IIC T4 Gc |
| Certificate | DNV 18.0115 X |
| Designation | EAC Ex |
| Identification | # [Ex ia Ga] IIC |
| | # [Ex ia Da] IIIC |

Solenoid driver - MACX MCR-EX-SL-SD-21-25-LP - 2865492

Technical data

Conformance/approvals

| | |
|-------------|---|
| Certificate | RU C-DE.AB72.B.00093/19 |
| Temperature | B |
| Humidity | B |
| Vibration | A |
| EMC | A |
| Enclosure | Required protection according to the Rules shall be provided upon installation on board |

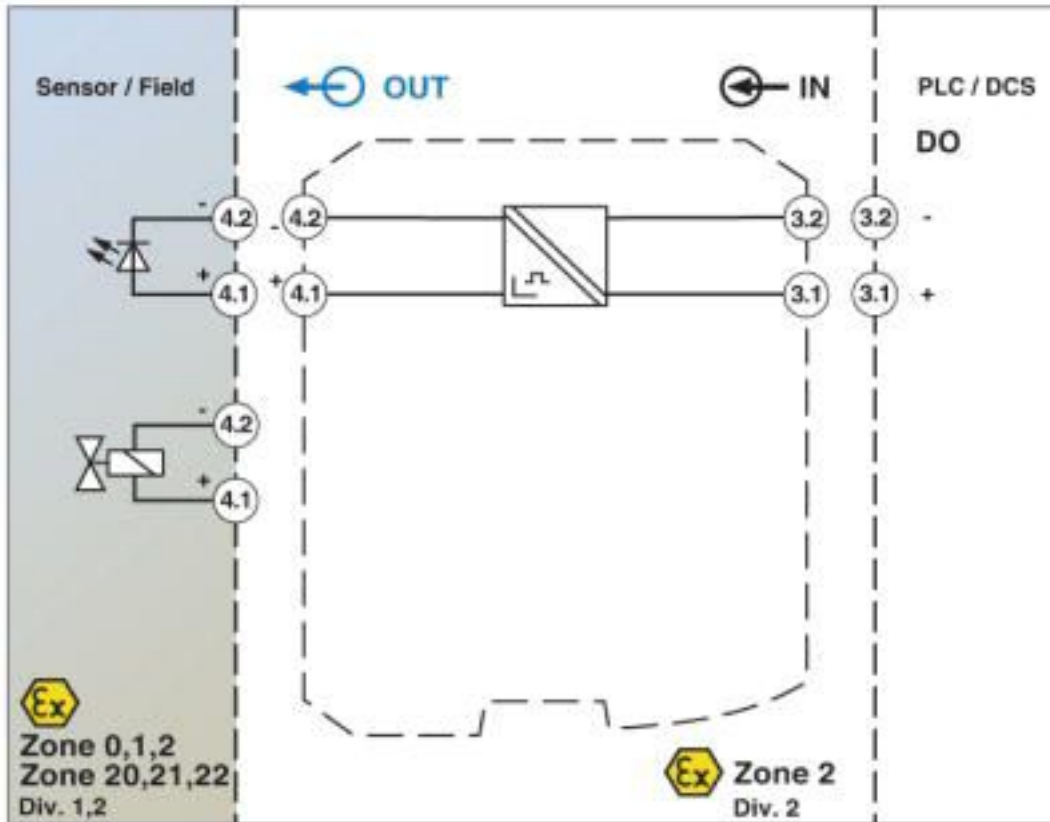
Environmental Product Compliance

| | |
|------------|---|
| REACH SVHC | Lead 7439-92-1 |
| China RoHS | Environmentally Friendly Use Period = 50 years |
| | For details about hazardous substances go to tab "Downloads", Category "Manufacturer's declaration" |

Drawings

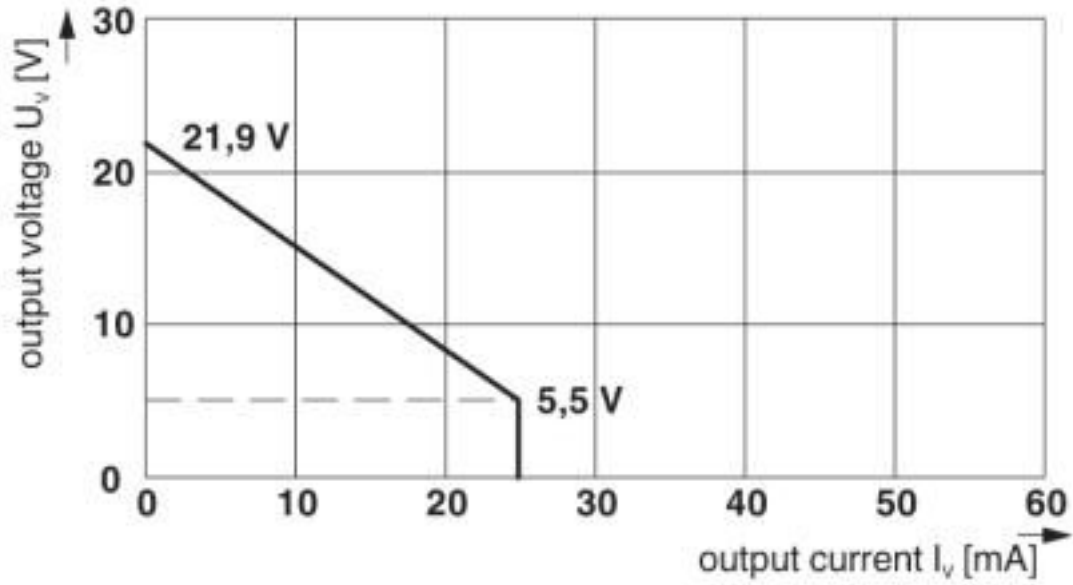
Solenoid driver - MACX MCR-EX-SL-SD-21-25-LP - 2865492

Block diagram

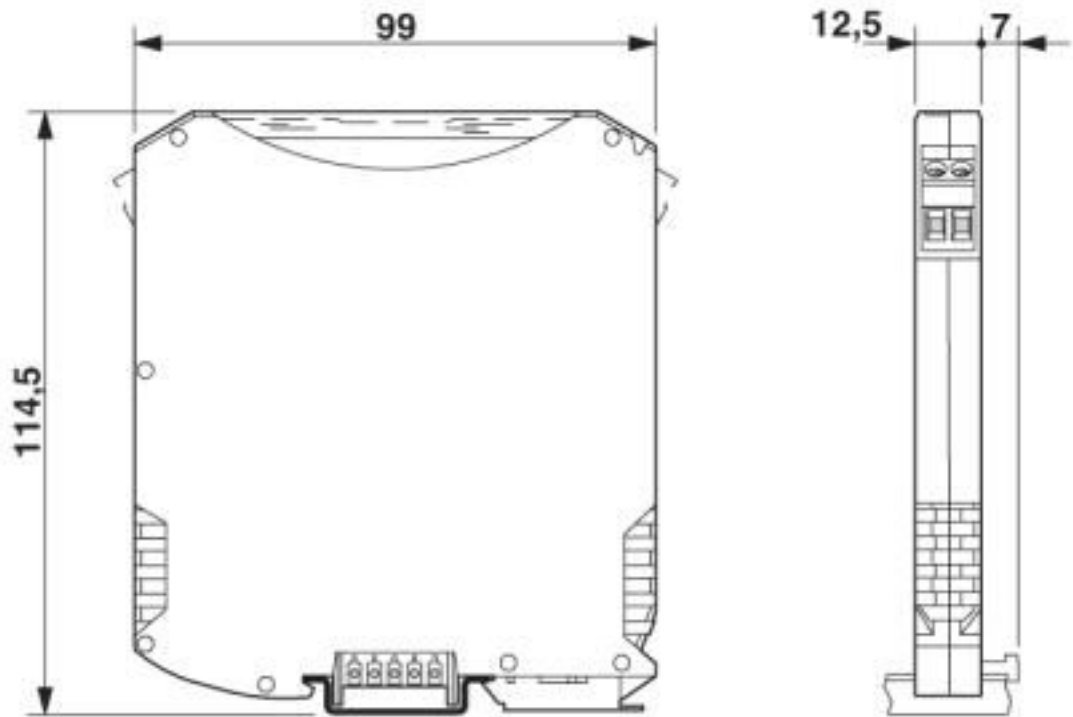


Solenoid driver - MACX MCR-EX-SL-SD-21-25-LP - 2865492

Diagram

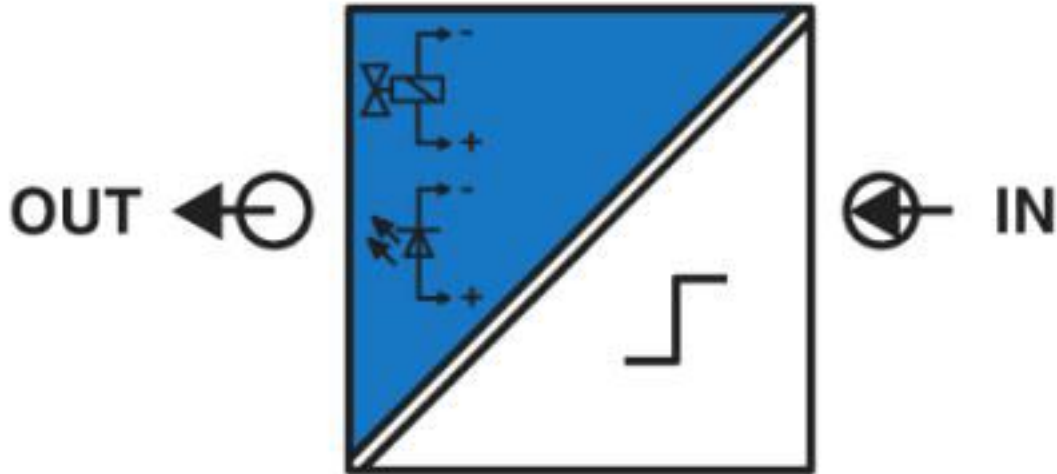


Dimensional drawing



Solenoid driver - MACX MCR-EX-SL-SD-21-25-LP - 2865492

Pictogram



Classifications

eCl@ss

| | |
|------------|----------|
| eCl@ss 4.0 | 27210100 |
| eCl@ss 4.1 | 27210100 |
| eCl@ss 5.0 | 27210100 |
| eCl@ss 5.1 | 27210100 |
| eCl@ss 6.0 | 27210100 |
| eCl@ss 7.0 | 27210120 |
| eCl@ss 8.0 | 27210120 |
| eCl@ss 9.0 | 27210120 |

ETIM

| | |
|----------|----------|
| ETIM 4.0 | EC002653 |
| ETIM 5.0 | EC002653 |
| ETIM 6.0 | EC002653 |
| ETIM 7.0 | EC002653 |

UNSPSC

| | |
|---------------|----------|
| UNSPSC 6.01 | 30211506 |
| UNSPSC 7.0901 | 39121008 |
| UNSPSC 11 | 39121008 |
| UNSPSC 12.01 | 39121008 |
| UNSPSC 13.2 | 39121008 |
| UNSPSC 18.0 | 39121008 |

Solenoid driver - MACX MCR-EX-SL-SD-21-25-LP - 2865492

Classifications

UNSPSC

| | |
|-------------|----------|
| UNSPSC 19.0 | 39121008 |
| UNSPSC 20.0 | 39121008 |
| UNSPSC 21.0 | 39121008 |

Approvals

Approvals

Approvals

UL Listed / cUL Listed / Functional Safety / DNV GL / cULus Listed

Ex Approvals

IECEX / ATEX / UL Listed / cUL Listed / EAC Ex / INMETRO / cULus Listed

Approval details

| | | | |
|-----------|--|---|---------------|
| UL Listed | | http://database.ul.com/cgi-bin/XYV/template/LISEXT/1FRAME/index.htm | FILE E 330267 |
|-----------|--|---|---------------|

| | | | |
|------------|--|---|---------------|
| cUL Listed | | http://database.ul.com/cgi-bin/XYV/template/LISEXT/1FRAME/index.htm | FILE E 330267 |
|------------|--|---|---------------|

| | | | |
|-------------------|--|--|------------------------|
| Functional Safety | | | 16/04-017 R025 V1R1 |
|-------------------|--|--|------------------------|

| | | | |
|--------|--|---|------------|
| DNV GL | | https://approvalfinder.dnvgl.com/ | TAA000020C |
|--------|--|---|------------|

| | | | |
|--------------|--|--|--|
| cULus Listed | | | |
|--------------|--|--|--|

Accessories

Accessories

Solenoid driver - MACX MCR-EX-SL-SD-21-25-LP - 2865492

Accessories

Device marking

Plastic label - UC-EMLP (11X9) - 0819291



Plastic label, Sheet, white, unlabeled, can be labeled with: BLUEMARK ID COLOR, BLUEMARK ID, BLUEMARK CLED, PLOTMARK, CMS-P1-PLOTTER, mounting type: adhesive, lettering field size: 11 x 9 mm, Number of individual labels: 10

Plastic label - UC-EMLP (11X9) YE - 0822602



Plastic label, Sheet, yellow, unlabeled, can be labeled with: BLUEMARK ID COLOR, BLUEMARK ID, BLUEMARK CLED, PLOTMARK, CMS-P1-PLOTTER, mounting type: adhesive, lettering field size: 11 x 9 mm, Number of individual labels: 10

Plastic label - UC-EMLP (11X9) SR - 0828094



Plastic label, Sheet, silver, unlabeled, can be labeled with: BLUEMARK ID COLOR, BLUEMARK ID, BLUEMARK CLED, PLOTMARK, CMS-P1-PLOTTER, mounting type: adhesive, lettering field size: 11 x 9 mm, Number of individual labels: 10

Plastic label - US-EMLP (11X9) - 0828789



Plastic label, Card, white, unlabeled, can be labeled with: BLUEMARK ID COLOR, BLUEMARK ID, THERMOMARK PRIME, THERMOMARK CARD 2.0, THERMOMARK CARD, mounting type: adhesive, lettering field size: 11 x 9 mm, Number of individual labels: 135

Plastic label - US-EMLP (11X9) YE - 0828871



Plastic label, Card, yellow, unlabeled, can be labeled with: BLUEMARK ID COLOR, BLUEMARK ID, THERMOMARK PRIME, THERMOMARK CARD 2.0, THERMOMARK CARD, mounting type: adhesive, lettering field size: 11 x 9 mm, Number of individual labels: 135

Solenoid driver - MACX MCR-EX-SL-SD-21-25-LP - 2865492

Accessories

Plastic label - US-EMLP (11X9) SR - 0828872



Plastic label, Card, silver, unlabeled, can be labeled with: BLUEMARK ID COLOR, BLUEMARK ID, THERMOMARK PRIME, THERMOMARK CARD 2.0, THERMOMARK CARD, mounting type: adhesive, lettering field size: 11 x 9 mm, Number of individual labels: 135

Device marker - LS-EMLP (11X9) WH - 0831678



Device marker, Sheet, white, unlabeled, can be labeled with: TOPMARK NEO, TOPMARK LASER, mounting type: adhesive, lettering field size: 11 x 9 mm, Number of individual labels: 255

Device marker - LS-EMLP (11X9) YE - 0831732



Device marker, Sheet, yellow, unlabeled, can be labeled with: TOPMARK NEO, TOPMARK LASER, mounting type: adhesive, lettering field size: 11 x 9 mm, Number of individual labels: 255

Device marker - LS-EMLP (11X9) SR - 0831705



Device marker, Sheet, silver, unlabeled, can be labeled with: TOPMARK NEO, TOPMARK LASER, mounting type: adhesive, lettering field size: 11 x 9 mm, Number of individual labels: 255

Insulating sleeve

Insulating sleeve - MPS-IH BK - 0201731



Insulating sleeve, color: black

Solenoid driver - MACX MCR-EX-SL-SD-21-25-LP - 2865492

Accessories

Insulating sleeve - MPS-IH GY - 0201728

Insulating sleeve, color: gray



Insulating sleeve - MPS-IH GN - 0201702

Insulating sleeve, color: green



Insulating sleeve - MPS-IH YE - 0201692

Insulating sleeve, color: yellow



Insulating sleeve - MPS-IH BU - 0201689

Insulating sleeve, color: blue



Insulating sleeve - MPS-IH RD - 0201676

Insulating sleeve, color: red



Solenoid driver - MACX MCR-EX-SL-SD-21-25-LP - 2865492

Accessories

Insulating sleeve - MPS-IH WH - 0201663

Insulating sleeve, color: white



Labeled device marker

Plastic label - UC-EMLP (11X9) CUS - 0824547

Plastic label, can be ordered: by sheet, white, labeled according to customer specifications, mounting type: adhesive, lettering field size: 11 x 9 mm



Plastic label - UC-EMLP (11X9) YE CUS - 0824548

Plastic label, can be ordered: by sheet, yellow, labeled according to customer specifications, mounting type: adhesive, lettering field size: 11 x 9 mm



Plastic label - UC-EMLP (11X9) SR CUS - 0828098

Plastic label, can be ordered: by sheet, silver, labeled according to customer specifications, mounting type: adhesive, lettering field size: 11 x 9 mm, Number of individual labels: 10



Module carrier

Module carrier - TC-D37SUB-ADIO16-EX-P-UNI - 2924854



Universal termination carrier for connecting 16 MACX Analog Ex i signal conditioners to digital or analog I/O cards, via D-SUB connector, 37-pos. (1:1 connection)

Solenoid driver - MACX MCR-EX-SL-SD-21-25-LP - 2865492

Accessories

Module carrier - TC-D37SUB-AIO16-EX-PS-UNI - 2902932



Universal termination carrier for connecting 16 MACX Analog Ex i signal conditioners to digital or analog I/O cards, via D-SUB connector, 37-pos. (1:1 connection), with HART multiplexer connection

Power module

Power and error message module - MACX MCR-PTB - 2865625



Power and fault signaling module with screw connection, including corresponding ME 17,5 TBUS 1,5/ 5-ST-3,81 GY DIN rail connector

Power and error message module - MACX MCR-PTB-SP - 2924184



Power and fault signaling module with Push-in connection, including corresponding ME 17,5 TBUS 1,5/ 5-ST-3,81 GY DIN rail connector

Test plug terminal block

Test plugs - MPS-MT - 0201744



Test plugs, with solder connection up to 1 mm² conductor cross section, color: gray
