

# Temperature measuring transducer - MINI MCR-SL-PT100-UI-200-NC - 2864370

Please be informed that the data shown in this PDF Document is generated from our Online Catalog. Please find the complete data in the user's documentation. Our General Terms of Use for Downloads are valid (<http://phoenixcontact.com/download>)




MCR temperature transducer, configurable, for Pt 100 temperature sensors, with screw-connection, not configured

## Your advantages

- ✓ Power supply possible via the foot element (TBUS)
- ✓ Optimized temperature measuring range of -50°C to +200°C for increased accuracy
- ✓ For 2, 3 or 4-wire Pt 100 sensors according to IEC 60751
- ✓ Error indication via diagnostic LED and analog signal
- ✓ Pt 100 signals to create standard signals
- ✓ 3-way isolation
- ✓ Highly-compact temperature transducer for electrical isolation, conversion, amplification, and filtering of
- ✓ Input and output signals can be configured via DIP switches



## Key Commercial Data

Packing unit	1 pc
GTIN	 4 046356 046480
GTIN	4046356046480
Weight per Piece (excluding packing)	90.000 g
Custom tariff number	85437090
Country of origin	Germany

## Technical data

Note

# Temperature measuring transducer - MINI MCR-SL-PT100-UI-200-NC - 2864370

## Technical data

### Note

Utilization restriction	EMC: class A product, see manufacturer's declaration in the download area
-------------------------	---

### Dimensions

Width	6.2 mm
Height	93.1 mm
Depth	101.2 mm

### Ambient conditions

Ambient temperature (operation)	-20 °C ... 65 °C
Ambient temperature (storage/transport)	-40 °C ... 85 °C
Permissible humidity (operation)	10 % ... 95 % (non-condensing)
Degree of protection	IP20
Noise immunity	EN 61000-6-2 When being exposed to interference, there may be minimal deviations.

### Input data

Sensor types (RTD) that can be used	Pt 100 (IEC 60751/EN 60751)
Sensor input current	1 mA (constant)
Temperature measuring range	-50 °C ... 200 °C
Connection technology	2, 3, 4-wire

### Output data

Number of outputs	1
Configurable/programmable	Yes
Voltage output signal	0 V ... 10 V
	10 V ... 0 V
	0 V ... 5 V
	1 V ... 5 V
Current output signal	0 mA ... 20 mA
	4 mA ... 20 mA
	20 mA ... 0 mA
	20 mA ... 4 mA
Max. output voltage	approx. 12.5 V
Max. output current	23 mA
Short-circuit current	approx. 10 mA
Load/output load voltage output	> 10 kΩ
Load/output load current output	< 500 Ω (at 20 mA)
Ripple	< 20 mV <sub>pp</sub> (at 500 Ω)

# Temperature measuring transducer - MINI MCR-SL-PT100-UI-200-NC - 2864370

## Technical data

### Output data

	< 20 mV <sub>PP</sub> (at 10 kΩ)
--	----------------------------------

### Power supply

Nominal supply voltage	24 V DC
Supply voltage range	19.2 V DC ... 30 V DC (The DIN rail bus connector (ME 6,2 TBUS-2 1,5/5-ST-3,81 GN, Order No. 2869728) can be used to bridge the supply voltage. It can be snapped onto a 35 mm DIN rail according to EN 60715))
Max. current consumption	< 21 mA (at 24 V DC)
Power consumption	< 500 mW

### Connection data

Connection method	Screw connection
Stripping length	12 mm
Screw thread	M3
Conductor cross section solid	0.2 mm <sup>2</sup> ... 2.5 mm <sup>2</sup>
Conductor cross section flexible	0.2 mm <sup>2</sup> ... 2.5 mm <sup>2</sup>
Conductor cross section AWG	26 ... 12

### General

Transmission error in the set measuring range	((50 K / Δ Temp)+ 0.05)%
Transmission error in the full measuring range	≤ 0,25 %
Maximum temperature coefficient	< 0.02 %/K
Protective circuit	Transient protection
Electrical isolation	Basic insulation according to EN 61010
Overvoltage category	II
Degree of pollution	2
Rated insulation voltage	50 V AC/DC
Test voltage, input/output/supply	1.5 kV (50 Hz, 1 min.)
Electromagnetic compatibility	Conformance with EMC directive
Noise emission	EN 61000-6-4
Noise immunity	EN 61000-6-2 When being exposed to interference, there may be minimal deviations.
Color	green
Housing material	PBT
Mounting position	any
Fire protection for rail vehicles (DIN EN 45545-2) R22	HL 1 - HL 2
Fire protection for rail vehicles (DIN EN 45545-2) R23	HL 1 - HL 2
Fire protection for rail vehicles (DIN EN 45545-2) R24	HL 1 - HL 2

# Temperature measuring transducer - MINI MCR-SL-PT100-UI-200-NC - 2864370

## Technical data

### EMC data

Designation	Electromagnetic RF field
Standards/regulations	EN 61000-4-3
Typical deviation from the measuring range final value	10 %
Designation	Fast transients (burst)
Standards/regulations	EN 61000-4-4
Typical deviation from the measuring range final value	10 %
Designation	Conducted interferences
Standards/regulations	EN 61000-4-6
Typical deviation from the measuring range final value	10 %

### Standards and Regulations

Electromagnetic compatibility	Conformance with EMC directive
Noise emission	EN 61000-6-4
Connection in acc. with standard	CUL
Standards/regulations	EN 61000-4-2
Designation	Electromagnetic RF field
Standards/regulations	EN 61000-4-3
	EN 61000-4-4
	EN 61000-4-5
Designation	Conducted interferences
Standards/regulations	EN 61000-4-6
Electrical isolation	Basic insulation according to EN 61010
Conformance	CE-compliant
ATEX	# II 3 G Ex nA IIC T4 Gc X
UL, USA/Canada	UL 508 Recognized
	Class I, Div. 2, Groups A, B, C, D T5
GL	GL EMC 2 D

### Conformance/approvals

Designation	CE
Identification	CE-compliant
Designation	ATEX
Identification	# II 3 G Ex nA IIC T4 Gc X
Designation	UL, USA/Canada
Identification	UL 508 Recognized
	Class I, Div. 2, Groups A, B, C, D T5
Designation	GL

# Temperature measuring transducer - MINI MCR-SL-PT100-UI-200-NC - 2864370

## Technical data

### Conformance/approvals

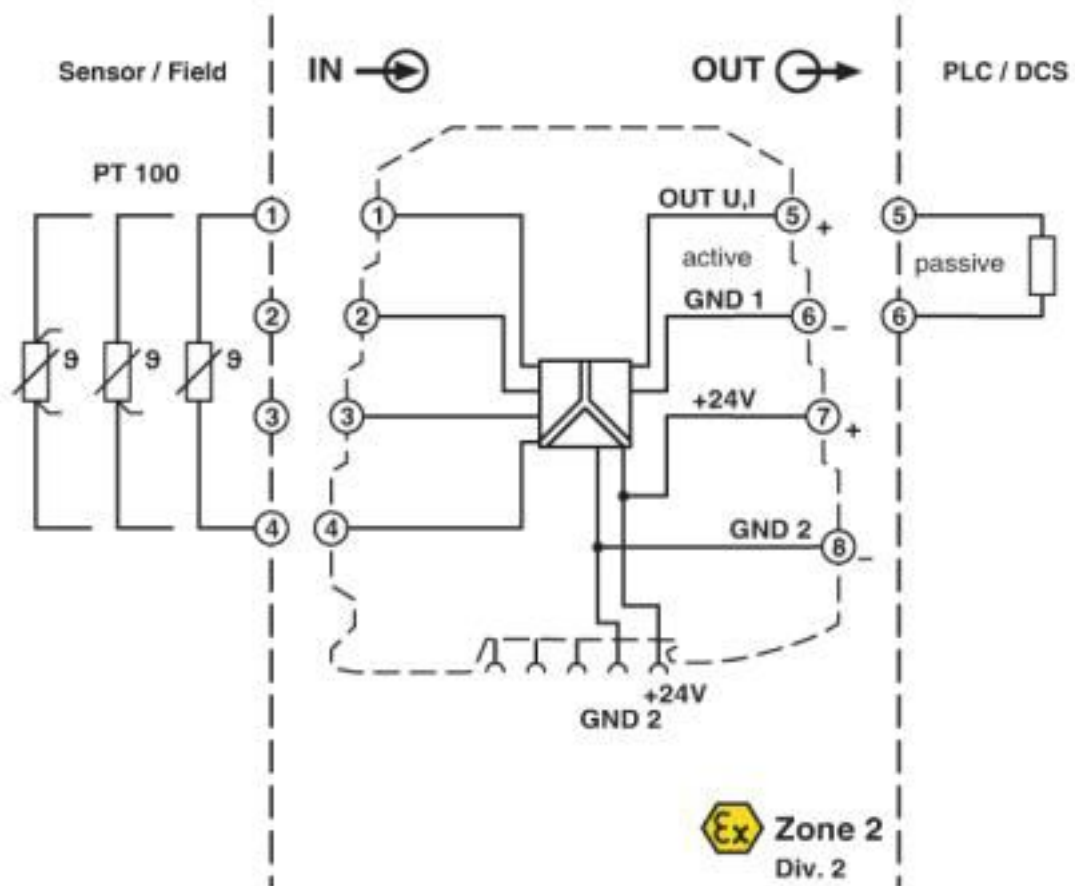
Identification	GL EMC 2 D
----------------	------------

### Environmental Product Compliance

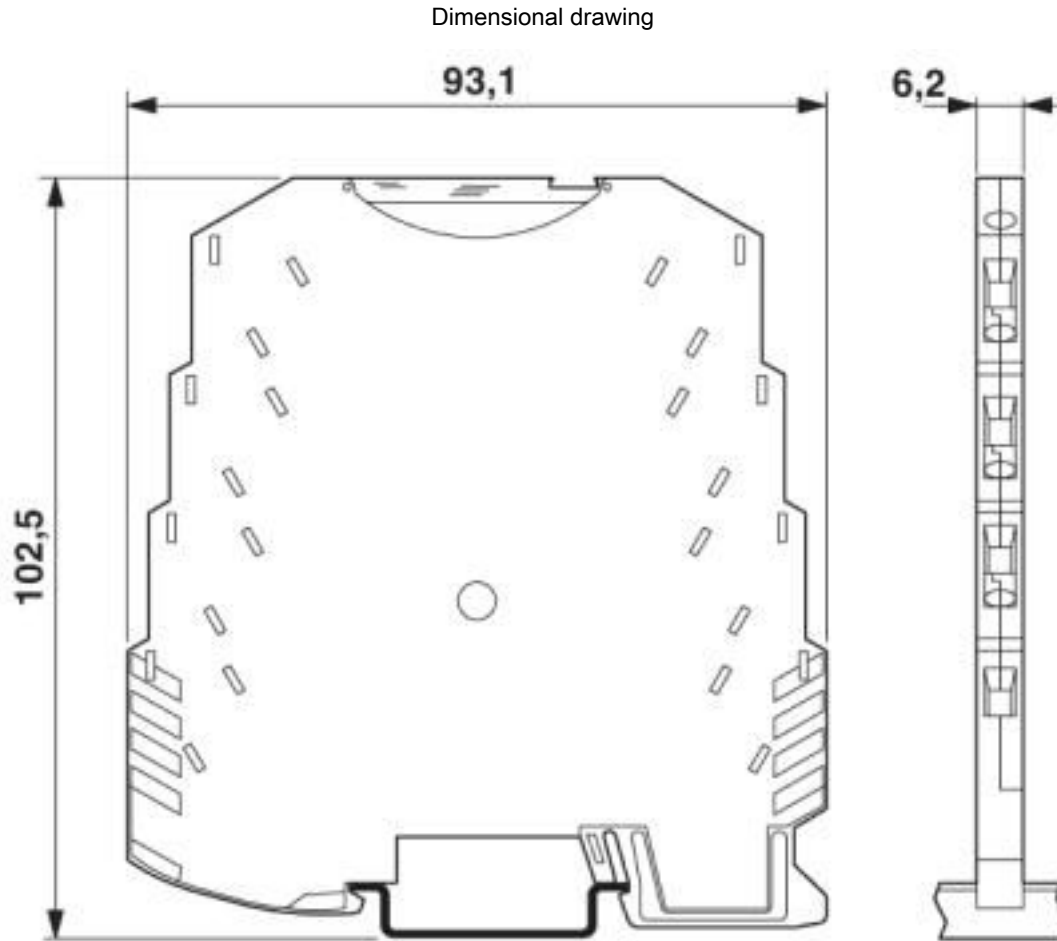
REACH SVHC	Lead 7439-92-1
China RoHS	Environmentally Friendly Use Period = 50 years
	For details about hazardous substances go to tab "Downloads", Category "Manufacturer's declaration"

## Drawings

Block diagram



# Temperature measuring transducer - MINI MCR-SL-PT100-UI-200-NC - 2864370



## Classifications

eCl@ss

eCl@ss 4.0	27200200
eCl@ss 4.1	27200200
eCl@ss 5.0	27200200
eCl@ss 5.1	27200200
eCl@ss 6.0	27200200
eCl@ss 7.0	27200206
eCl@ss 8.0	27200206
eCl@ss 9.0	27210129

# Temperature measuring transducer - MINI MCR-SL-PT100-UI-200-NC - 2864370

## Classifications

### ETIM

ETIM 2.0	EC001446
ETIM 3.0	EC001446
ETIM 4.0	EC001446
ETIM 5.0	EC001446
ETIM 6.0	EC002919
ETIM 7.0	EC002919

### UNSPSC

UNSPSC 6.01	30211506
UNSPSC 7.0901	39121008
UNSPSC 11	39121008
UNSPSC 12.01	39121008
UNSPSC 13.2	41112105
UNSPSC 18.0	41112105
UNSPSC 19.0	41112105
UNSPSC 20.0	41112105
UNSPSC 21.0	41112105

## Approvals

### Approvals

#### Approvals

GL / UL Recognized / cUL Recognized / cULus Recognized

#### Ex Approvals

ATEX / UL Listed / cUL Listed / EAC Ex / cULus Listed


### Approval details

GL		<a href="https://approvalfinder.dnvgi.com/">https://approvalfinder.dnvgi.com/</a>	24917-05 HH
----	--	---	-------------

# Temperature measuring transducer - MINI MCR-SL-PT100-UI-200-NC - 2864370

## Approvals

UL Recognized		<a href="http://database.ul.com/cgi-bin/XYV/template/LISEXT/1FRAME/index.htm">http://database.ul.com/cgi-bin/XYV/template/LISEXT/1FRAME/index.htm</a>	FILE E 238705
---------------	---	---	---------------

cUL Recognized		<a href="http://database.ul.com/cgi-bin/XYV/template/LISEXT/1FRAME/index.htm">http://database.ul.com/cgi-bin/XYV/template/LISEXT/1FRAME/index.htm</a>	FILE E 238705
----------------	---	---	---------------

cULus Recognized			
------------------	---	--	--