

Digital display - MCR-SL-D-FIT - 2864024


Please be informed that the data shown in this PDF Document is generated from our Online Catalog. Please find the complete data in the user's documentation. Our General Terms of Use for Downloads are valid (<http://phoenixcontact.com/download>)



MCR digital display, for measuring and displaying frequencies, pulses and times, 6-fig. display

RoHS

Key Commercial Data

Packing unit	1 pc
GTIN	 4 017918 976477
GTIN	4017918976477
Weight per Piece (excluding packing)	105.700 g
Custom tariff number	90291000
Country of origin	Germany

Technical data

Dimensions

Width	48 mm
Height	24 mm
Depth	68 mm

Ambient conditions

Ambient temperature (operation)	-20 °C ... 65 °C
Ambient temperature (storage/transport)	-25 °C ... 70 °C
Degree of protection	IP65 (Front)
Noise immunity	EN 61000-6-2

Input data

Input resistance of voltage input	10 kΩ
-----------------------------------	-------

Digital display - MCR-SL-D-FIT - 2864024

Technical data

Switching output

Output name	1 NPN optocoupler
Maximum switching voltage	30 V DC
Max. switching current	10 mA

Power supply

Supply voltage range	10 V DC ... 30 V DC
Max. current consumption	max. 40 mA

Connection data

Connection method	Pluggable screw connection
Stripping length	8 mm
Screw thread	M3
Conductor cross section solid	0.14 mm ² ... 1 mm ²
Conductor cross section flexible	0.14 mm ² ... 1.5 mm ²
Conductor cross section AWG	26 ... 16

General

Noise emission	EN 55011 / class B
Noise immunity	EN 61000-6-2
Color	gray
Housing material	Macrolon 2405

Standards and Regulations

Noise emission	EN 55011 / class B
Noise immunity	EN 61000-6-2
	EN 61000-4-2
Connection in acc. with standard	CUL
Conformance	CE-compliant
UL, USA/Canada	UL 863

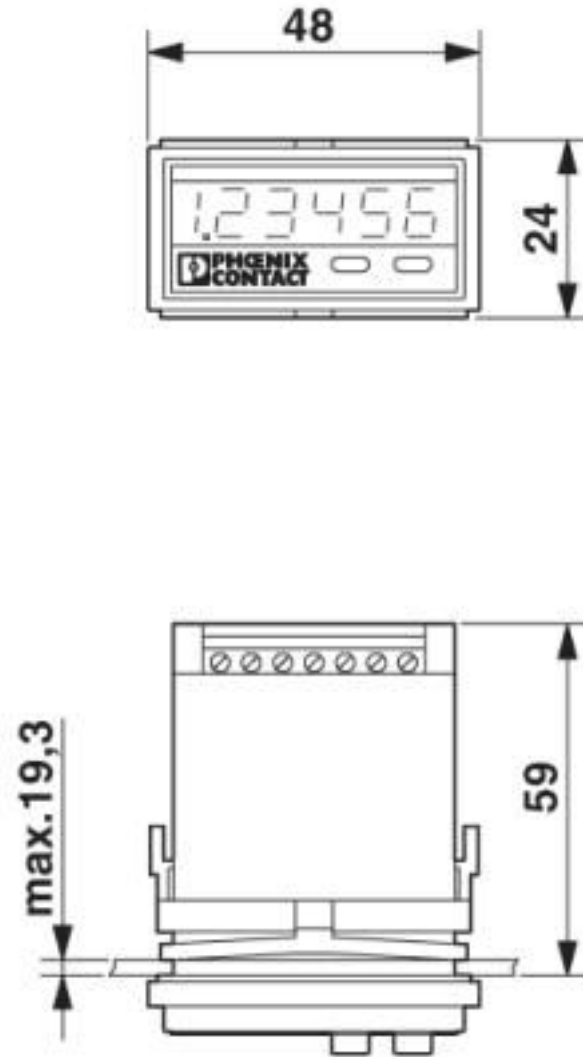
Environmental Product Compliance

China RoHS	Environmentally friendly use period: unlimited = EFUP-e
	No hazardous substances above threshold values

Drawings

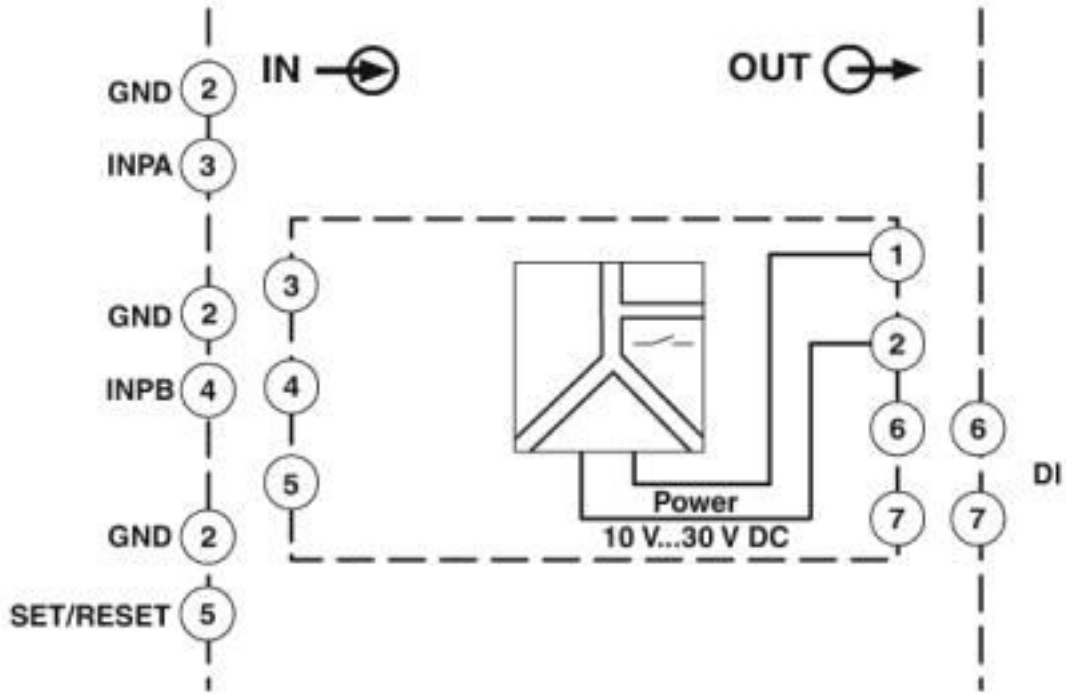
Digital display - MCR-SL-D-FIT - 2864024

Dimensional drawing



Digital display - MCR-SL-D-FIT - 2864024

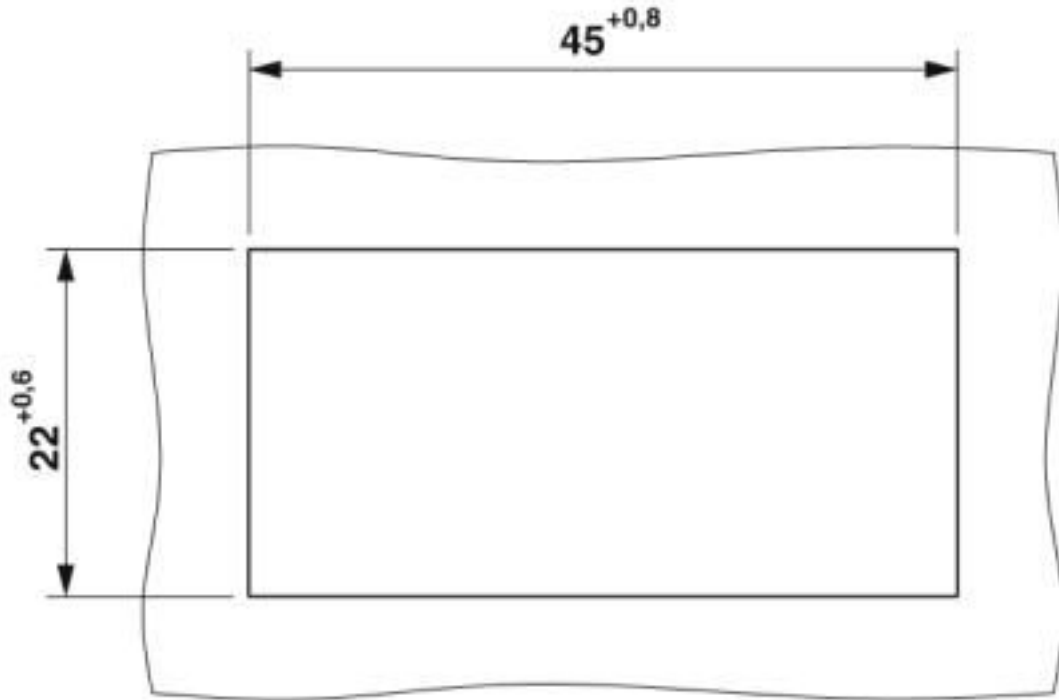
Block diagram



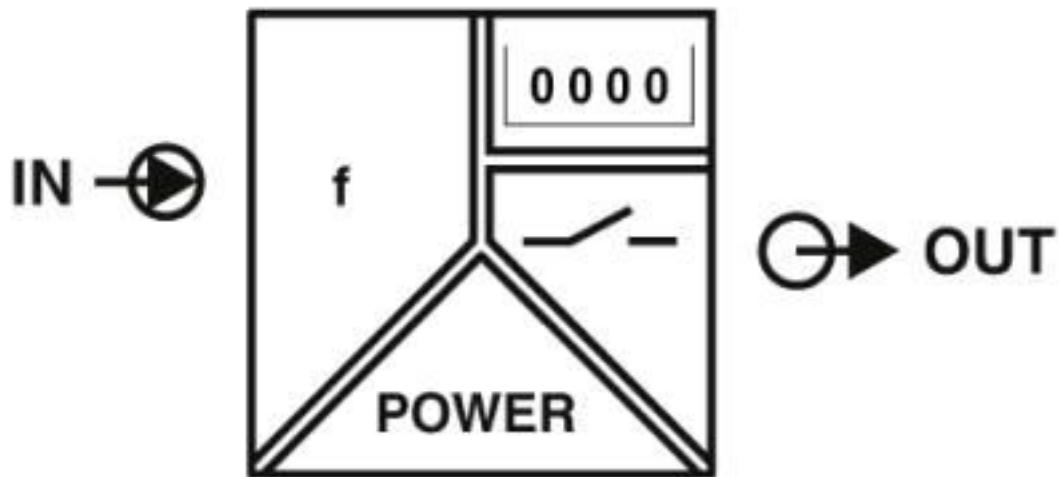
Block diagram MCR-SL-D-FIT

Digital display - MCR-SL-D-FIT - 2864024

Dimensional drawing

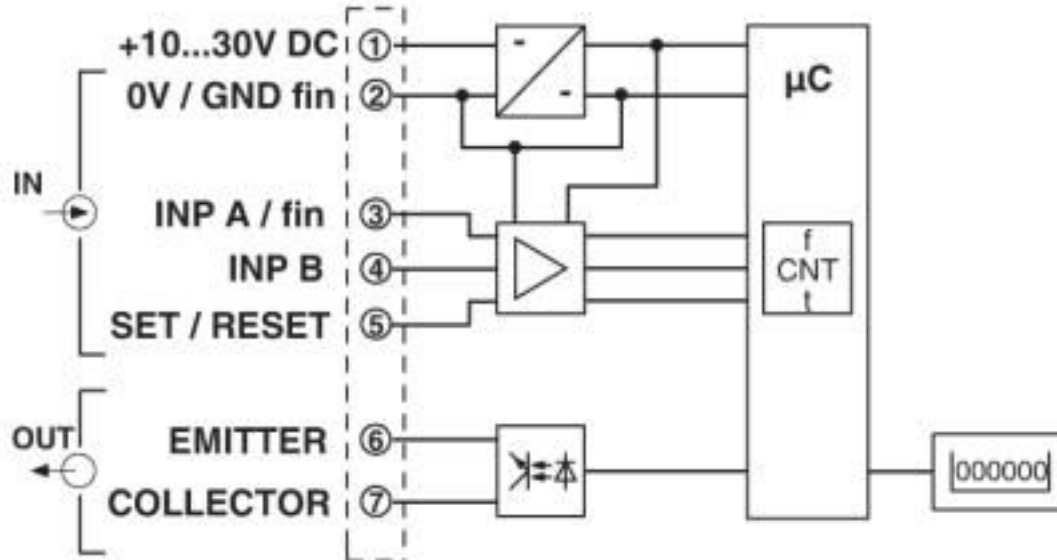


Pictogram



Digital display - MCR-SL-D-FIT - 2864024

Circuit diagram



Classifications

eCl@ss

eCl@ss 4.0	27210300
eCl@ss 4.1	27210300
eCl@ss 5.0	27210300
eCl@ss 5.1	27210300
eCl@ss 6.0	27210300
eCl@ss 7.0	27210301
eCl@ss 8.0	27210301
eCl@ss 9.0	27210301

ETIM

ETIM 2.0	EC001426
ETIM 3.0	EC001426
ETIM 4.0	EC001426
ETIM 5.0	EC001426
ETIM 6.0	EC001426
ETIM 7.0	EC001426

UNSPSC

UNSPSC 6.01	30211506
UNSPSC 7.0901	39121008

Digital display - MCR-SL-D-FIT - 2864024

Classifications

UNSPSC

UNSPSC 11	39121008
UNSPSC 12.01	39121008
UNSPSC 13.2	39121008
UNSPSC 18.0	39121008
UNSPSC 19.0	39121008
UNSPSC 20.0	39121008
UNSPSC 21.0	39121008

Approvals

Approvals

Approvals

UL Recognized / cUL Recognized / EAC / cULus Recognized

Ex Approvals

Approval details

UL Recognized		http://database.ul.com/cgi-bin/XYV/template/LISEXT/1FRAME/index.htm	FILE E 197577
---------------	--	---	---------------

cUL Recognized		http://database.ul.com/cgi-bin/XYV/template/LISEXT/1FRAME/index.htm	FILE E 197577
----------------	--	---	---------------

EAC			RU*DE.*08.B.01522/19
-----	--	--	----------------------

cULus Recognized			
------------------	--	--	--

Digital display - MCR-SL-D-FIT - 2864024

Accessories

Accessories

Mounting rail adapter

DIN rail adapter - MCR-SL-D-RA - 2810081



DIN rail adapter for digital displays in a 24x48 mm housing. Suitable for 35 mm DIN rails in acc. with EN 60715.