

Digital display - MCR-SL-D-U-I - 2864011

Please be informed that the data shown in this PDF Document is generated from our Online Catalog. Please find the complete data in the user's documentation. Our General Terms of Use for Downloads are valid (<http://phoenixcontact.com/download>)



MCR digital display, for measurement and display of standard signals, 5-fig. display

Your advantages

- 48 x 24 mm display
- 8 mm LED, 7-segment
- Min./max. value saving
- 5-digit display
- For 0 ... 10 V and 0(4) ... 20 mA standard analog signals
- Electrical isolation
- Programmable
- Freely programmable decimal point display

Key Commercial Data

Packing unit	1 pc
GTIN	
GTIN	4017918820718
Weight per Piece (excluding packing)	102.800 g
Custom tariff number	90291000
Country of origin	Germany

Technical data

Dimensions

Width	48 mm
Height	24 mm

Digital display - MCR-SL-D-U-I - 2864011

Technical data

Dimensions

Depth	68 mm
-------	-------

Ambient conditions

Ambient temperature (operation)	-20 °C ... 65 °C
Ambient temperature (storage/transport)	-25 °C ... 70 °C
Degree of protection	IP65 (Front)
Noise immunity	EN 61000-6-2

Input data

Voltage input signal	0 V ... 10 V
	2 V ... 10 V
Current input signal	4 mA ... 20 mA
	0 mA ... 20 mA
max. input voltage	30 V DC
Max. input current	50 mA
Input resistance of voltage input	> 1 MΩ
Input resistance current input	approx. 100 Ω with 5 mA / approx. 70 Ω with 20 mA

Output data

D/A converter resolution	14 bit
--------------------------	--------

Power supply

Supply voltage range	10 V DC ... 30 V DC
Max. current consumption	50 mA
Power consumption	≤ 1.5 W

Connection data

Connection method	Screw connection
Stripping length	8 mm
Screw thread	M3
Conductor cross section solid	0.14 mm ² ... 1.5 mm ²
Conductor cross section flexible	0.14 mm ² ... 1.5 mm ²
Conductor cross section AWG	26 ... 16

General

Maximum transmission error	± 0.1 % (of final value)
Maximum temperature coefficient	< 0.07 %/K
Test voltage input/power supply	500 V _{rms} (50/60 Hz, 1 min.)
Noise emission	EN 55011 / class B
Noise immunity	EN 61000-6-2
Color	gray

Digital display - MCR-SL-D-U-I - 2864011

Technical data

General

Housing material	Macrolon 2405
------------------	---------------

Standards and Regulations

Noise emission	EN 55011 / class B
Noise immunity	EN 61000-6-2
	EN 61000-4-2
Connection in acc. with standard	CUL
Conformance	CE-compliant
UL, USA/Canada	UL 863

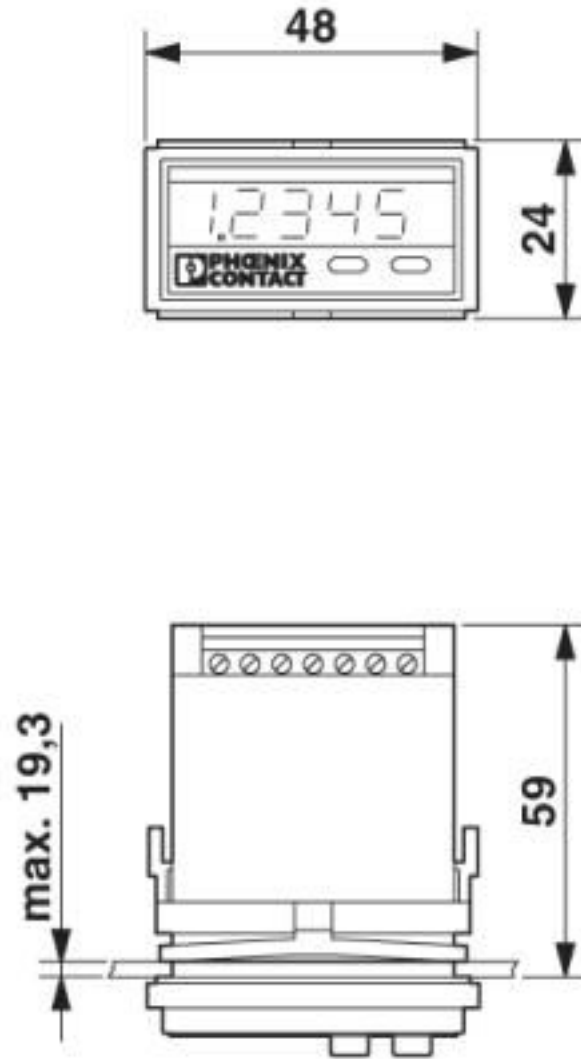
Environmental Product Compliance

China RoHS	Environmentally friendly use period: unlimited = EFUP-e
	No hazardous substances above threshold values

Drawings

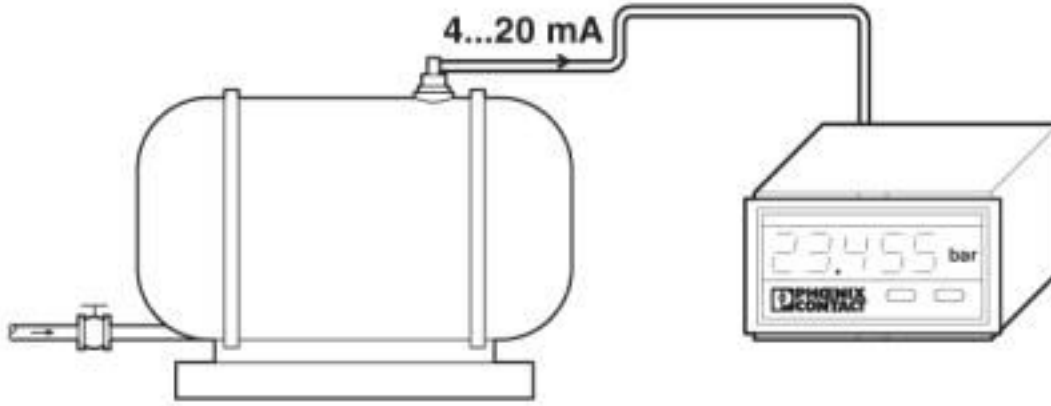
Digital display - MCR-SL-D-U-I - 2864011

Dimensional drawing

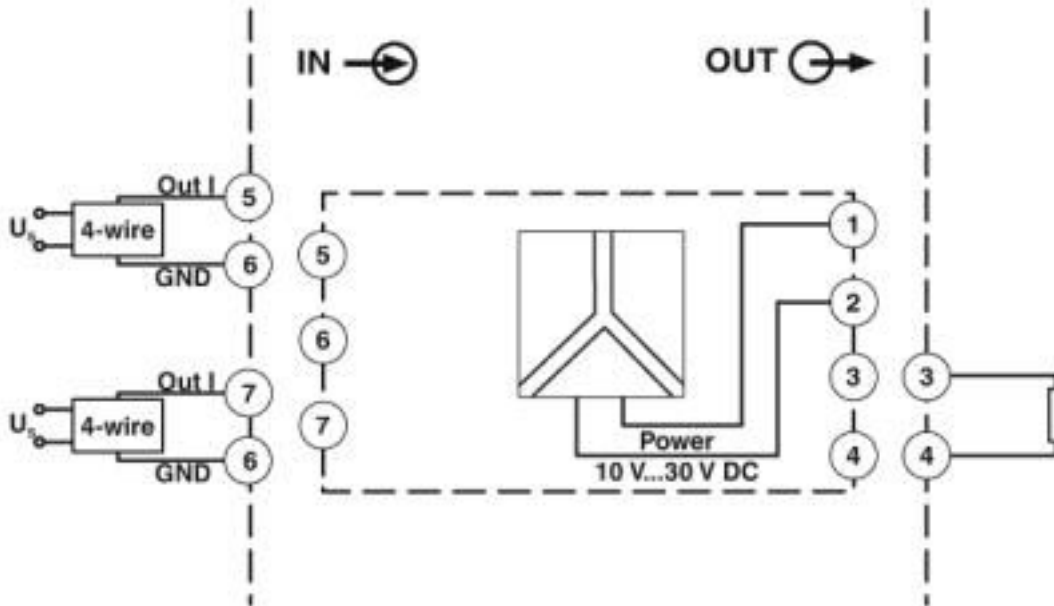


Digital display - MCR-SL-D-U-I - 2864011

Application drawing



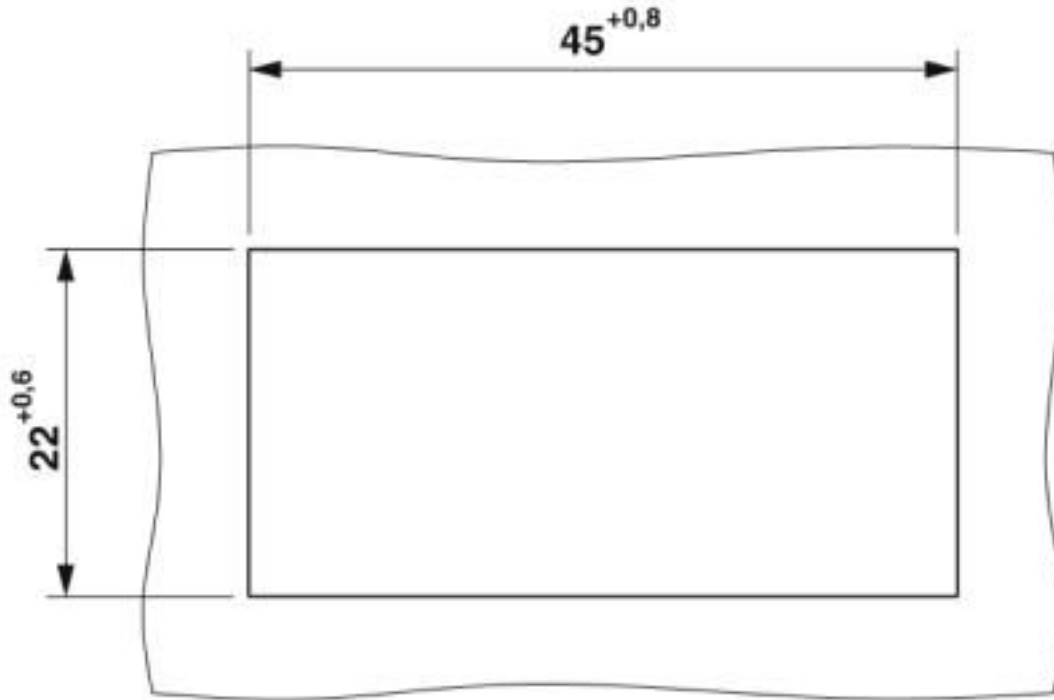
Block diagram



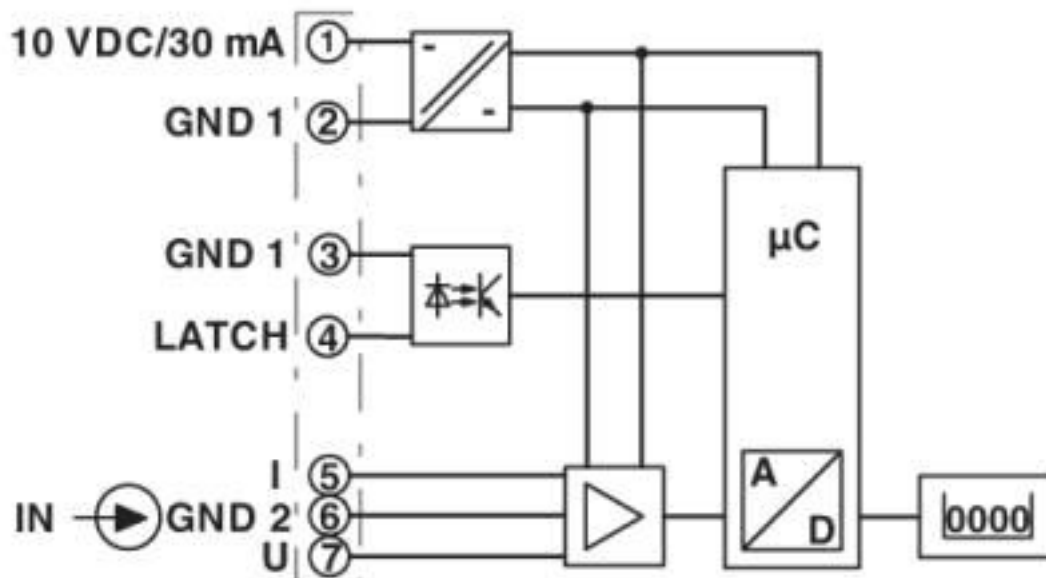
Block diagram MCR-SL-S-U-I

Digital display - MCR-SL-D-U-I - 2864011

Dimensional drawing



Circuit diagram



Digital display - MCR-SL-D-U-I - 2864011

Classifications

eCl@ss

eCl@ss 4.0	27210300
eCl@ss 4.1	27210300
eCl@ss 5.0	27210300
eCl@ss 5.1	27210300
eCl@ss 6.0	27210300
eCl@ss 7.0	27210301
eCl@ss 8.0	27210301
eCl@ss 9.0	27210301

ETIM

ETIM 2.0	EC001426
ETIM 3.0	EC001426
ETIM 4.0	EC001426
ETIM 5.0	EC001426
ETIM 6.0	EC001426
ETIM 7.0	EC001426

UNSPSC

UNSPSC 6.01	30211506
UNSPSC 7.0901	39121008
UNSPSC 11	39121008
UNSPSC 12.01	39121008
UNSPSC 13.2	39121008
UNSPSC 18.0	39121008
UNSPSC 19.0	39121008
UNSPSC 20.0	39121008
UNSPSC 21.0	39121008

Approvals

Approvals

Approvals

UL Recognized / cUL Recognized / EAC / cULus Recognized

Ex Approvals

Digital display - MCR-SL-D-U-I - 2864011

Approvals

Approval details

UL Recognized		http://database.ul.com/cgi-bin/XYV/template/LISEXT/1FRAME/index.htm	FILE E 197577
---------------	--	---	---------------

cUL Recognized		http://database.ul.com/cgi-bin/XYV/template/LISEXT/1FRAME/index.htm	FILE E 197577
----------------	--	---	---------------

EAC			RU*DE.*08.B.01522/19
-----	--	--	----------------------

cULus Recognized			
------------------	--	--	--

Accessories

Accessories

Mounting rail adapter

DIN rail adapter - MCR-SL-D-RA - 2810081



DIN rail adapter for digital displays in a 24x48 mm housing. Suitable for 35 mm DIN rails in acc. with EN 60715.