

Inline terminal - IB IL 24/48 DOR 2/W-PAC - 2863119

Please be informed that the data shown in this PDF Document is generated from our Online Catalog. Please find the complete data in the user's documentation. Our General Terms of Use for Downloads are valid (<http://phoenixcontact.com/download>)



Inline, Relay terminal, Relay outputs: 2 (floating contacts), 24 V AC / 48 V DC, 2 A, for switching ohmic loads, transmission speed in the local bus: 500 kbps, degree of protection: IP20, including Inline connector and labeling field

Product Description


The terminal is designed for use within an Inline station. It has two floating SPDT relay contacts, which are independent of one another.

Your advantages

- 2 relays
- Floating connections for 2 actuators
- Nominal current per output: 2 A
- Total current of the terminal: 4 A
- Diagnostic and status indicators



Key Commercial Data

Packing unit	1 pc
GTIN	 4 017918 939229
GTIN	4017918939229
Weight per Piece (excluding packing)	80.900 g
Custom tariff number	85389099
Country of origin	Germany

Technical data

Dimensions

Width	12.2 mm
Height	119.8 mm

Inline terminal - IB IL 24/48 DOR 2/W-PAC - 2863119

Technical data

Dimensions

Depth	71.5 mm
Note on dimensions	Housing dimensions

Ambient conditions

Ambient temperature (operation)	-25 °C ... 55 °C
Ambient temperature (storage/transport)	-25 °C ... 85 °C
Permissible humidity (operation)	10 % ... 95 % (according to DIN EN 61131-2)
Permissible humidity (storage/transport)	10 % ... 95 % (according to DIN EN 61131-2)
Air pressure (operation)	70 kPa ... 106 kPa (up to 3000 m above sea level)
Air pressure (storage/transport)	70 kPa ... 106 kPa (up to 3000 m above sea level)
Degree of protection	IP20

General

Mounting type	DIN rail
Color	green
Net weight	63 g
Note on weight specifications	with connector
Operating mode	Process data mode with 2 bits

Interfaces

Designation	Inline local bus
No. of channels	2
Connection method	Inline data jumper
Transmission speed	500 kbps

Inline potentials

Designation	Communications power (U_L)
Supply voltage	7.5 V DC (via voltage jumper)
Current consumption	max. 30 mA
Power consumption	0.23 W

Digital outputs

Output name	Relay outputs
Output description	SPDT relay contact
Connection method	Spring-cage connection
Number of outputs	2 (floating contacts)
Nominal output voltage	24 V AC
	48 V DC
Maximum output current per channel	2 A
Maximum output current per module / terminal block	4 A

Inline terminal - IB IL 24/48 DOR 2/W-PAC - 2863119

Technical data

Relay outputs

Switching current	min. 10 µA
	2 A (30 V DC)
	1 A (60 V DC)
Switching capacity	60 W
	62 VA (ohmic)
Limiting continuous current	2 A (at maximum ambient temperature)
Contact type	2 floating PDT contacts
Switching voltage	min. 10 mV (DC)
	max. 30 V AC (PELV (EN 61131))
	max. 60 V DC (PELV (EN 61131))
Switching current	min. 10 µA
	2 A (30 V DC)
	1 A (60 V DC)
Switching capacity	60 W
Mechanical service life	2x 10 ⁵ cycles

Electrical isolation

Test section	Relay contact / Bus logics 1.5 kV 50 Hz 1 min.
	Contact/contact 1 kV 50 Hz 1 min.
	Contact / PE 1 kV 50 Hz 1 min.

Standards and Regulations

Protection class	III (IEC 61140, EN 61140, VDE 0140-1)
------------------	---------------------------------------

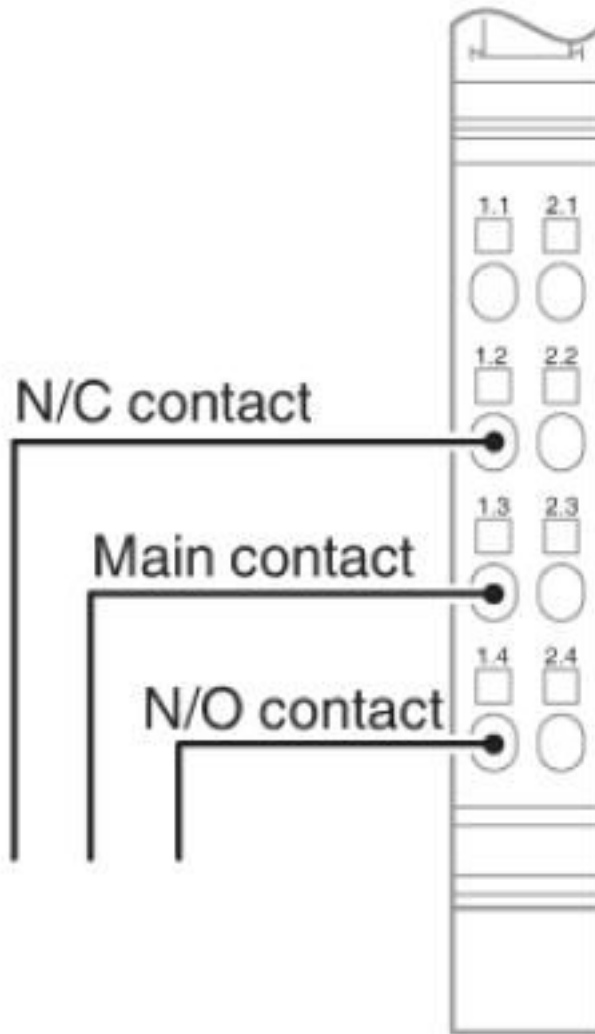
Environmental Product Compliance

China RoHS	Environmentally Friendly Use Period = 50 years
	For details about hazardous substances go to tab "Downloads", Category "Manufacturer's declaration"

Drawings

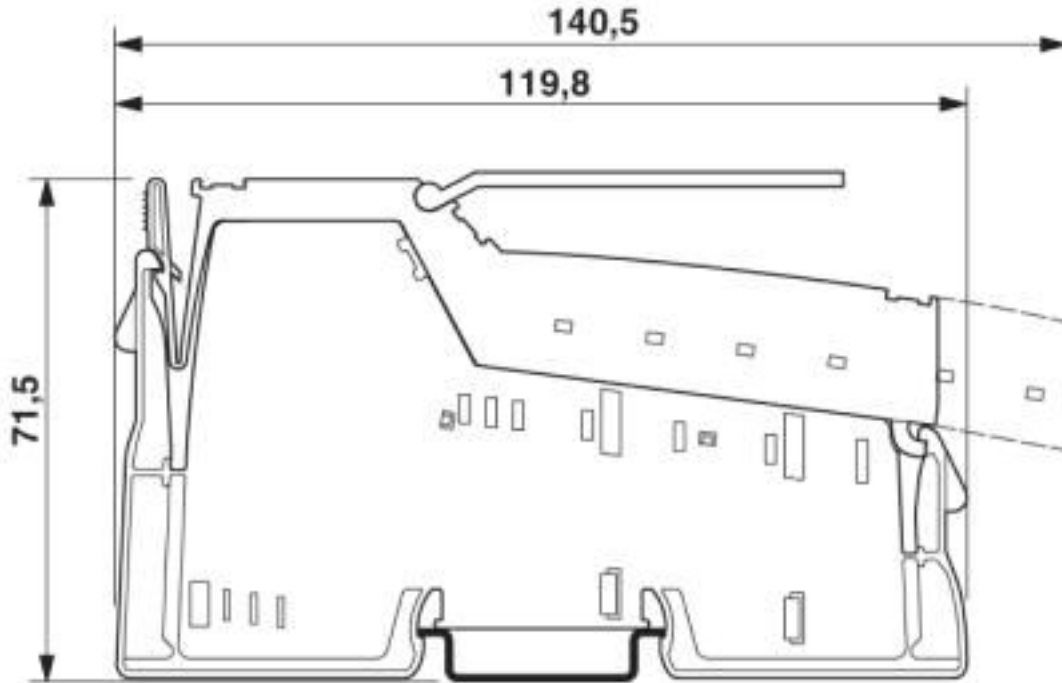
Inline terminal - IB IL 24/48 DOR 2/W-PAC - 2863119

Connection diagram



Inline terminal - IB IL 24/48 DOR 2/W-PAC - 2863119

Dimensional drawing



Classifications

eCl@ss

eCl@ss 10.0.1	27242604
eCl@ss 4.0	27250300
eCl@ss 4.1	27250300
eCl@ss 5.0	27250300
eCl@ss 5.1	27242600
eCl@ss 6.0	27242600
eCl@ss 7.0	27242604
eCl@ss 8.0	27242604
eCl@ss 9.0	27242604

ETIM

ETIM 2.0	EC001430
ETIM 3.0	EC001599
ETIM 4.0	EC001599
ETIM 5.0	EC001599
ETIM 6.0	EC001599
ETIM 7.0	EC001599

Inline terminal - IB IL 24/48 DOR 2/W-PAC - 2863119

Classifications

UNSPSC

UNSPSC 6.01	43172015
UNSPSC 7.0901	43201404
UNSPSC 11	43172015
UNSPSC 12.01	43201404
UNSPSC 13.2	32151602
UNSPSC 18.0	32151602
UNSPSC 19.0	32151602
UNSPSC 20.0	32151602
UNSPSC 21.0	32151602

Approvals

Approvals

Approvals

DNV GL / BV / LR / ABS

Ex Approvals

Approval details

DNV GL		https://approvalfinder.dnvgl.com/	TAA00002CU
--------	---	---	------------

BV		http://www.veristar.com/portal/veristarinfo/generalinfo/approved/approvedProducts/equipmentAndMaterials	20989/B2_BV
----	---	---	-------------

LR		http://www.lr.org/en	08/20033
----	---	---	----------

ABS		http://www.eagle.org/eagleExternalPortalWEB/	17-HG1621871-PDA
-----	--	---	------------------

Inline terminal - IB IL 24/48 DOR 2/W-PAC - 2863119

Accessories

Accessories

Labeling panel

Labeling field - IB IL FIELD 2 - 2727501

Labeling field, width: 12.2 mm



Plug

Inline connector - IB IL SCN-8 - 2726337

Connector, for digital 1, 2 or 8-channel Inline terminals



Terminal marking

Insert strip - ESL 62X10 - 0809492

Insert strip, Sheet, white, unlabeled, can be labeled with: Office printing systems: Laser printer, mounting type: insert, lettering field size: 62 x 10 mm, Number of individual labels: 72

