

## Inline terminal - IB IL 24 DI 16-PAC/SN - 2862958

Please be informed that the data shown in this PDF Document is generated from our Online Catalog. Please find the complete data in the user's documentation. Our General Terms of Use for Downloads are valid (<http://phoenixcontact.com/download>)



Inline, Digital input terminal, Digital inputs: 16, 24 V DC, connection method: 3-wire, transmission speed in the local bus: 500 kbps, degree of protection: IP20, including Inline connectors and marking fields, connectors numbered individually

The figure shows the version IB IL 24 DI 16-PAC

### Product Description

The terminal is designed for use within an Inline station. It is used to acquire digital signals.

### Your advantages

- 16 digital inputs
- Connection of sensors in 2 and 3-wire technology
- Maximum permissible load current per sensor: 250 mA
- Diagnostic and status indicators



### Key Commercial Data

Packing unit	1 pc
GTIN	 4 017918 904968
GTIN	4017918904968
Weight per Piece (excluding packing)	234.200 g
Custom tariff number	85389099
Country of origin	Germany

### Technical data

#### Note

Utilization restriction	EMC: class A product, see manufacturer's declaration in the download area
-------------------------	---

## Inline terminal - IB IL 24 DI 16-PAC/SN - 2862958

### Technical data

#### Dimensions

Width	48.8 mm
Height	140.5 mm
Depth	71.5 mm
Note on dimensions	Housing dimensions

#### Ambient conditions

Ambient temperature (operation)	-25 °C ... 55 °C
Ambient temperature (storage/transport)	-25 °C ... 85 °C
Permissible humidity (operation)	10 % ... 95 % (according to DIN EN 61131-2)
Permissible humidity (storage/transport)	10 % ... 95 % (according to DIN EN 61131-2)
Air pressure (operation)	70 kPa ... 106 kPa (up to 3000 m above sea level)
Air pressure (storage/transport)	70 kPa ... 106 kPa (up to 3000 m above sea level)
Degree of protection	IP20

#### General

Mounting type	DIN rail
Color	green
Net weight	210 g
Note on weight specifications	with connectors
Operating mode	Process data mode with one word

#### Interfaces

Designation	Inline local bus
No. of channels	2
Connection method	Inline data jumper
Transmission speed	500 kbps

#### Inline potentials

Designation	Communications power ( $U_L$ )
Supply voltage	7.5 V DC (via voltage jumper)
Current consumption	max. 60 mA
Power consumption	max. 0.45 W
Designation	Segment circuit supply ( $U_S$ )
Supply voltage	24 V DC (via voltage jumper)
Supply voltage range	19.2 V DC ... 30 V DC (including all tolerances, including ripple)
Current consumption	max. 4 A

#### Digital inputs

Input name	Digital inputs
Description of the input	EN 61131-2 type 1

## Inline terminal - IB IL 24 DI 16-PAC/SN - 2862958

### Technical data

#### Digital inputs

Connection method	Spring-cage connection
Connection technology	3-wire
Number of inputs	16
Typical response time	< 1 ms
Nominal input voltage $U_{IN}$	24 V DC
Nominal input current at $U_{IN}$	min. 3 mA (at nominal voltage)
Input voltage	24 V DC
Input voltage range "0" signal	-3 V DC ... 5 V DC
Input voltage range "1" signal	15 V DC ... 30 V DC

#### Electrical isolation

Test section	5 V supply, incoming remote bus/7.5 V supply (bus logics) 500 V AC 50 Hz 1 min.
	5 V supply, outgoing remote bus/7.5 V supply (bus logics) 500 V AC 50 Hz 1 min.
	7.5 V supply (bus logics)/24 V supply (I/O) 500 V AC 50 Hz 1 min.
	24 V supply (I/O) / functional earth ground 500 V AC 50 Hz 1 min.

#### Standards and Regulations

Connection in acc. with standard	CUL
Protection class	III (IEC 61140, EN 61140, VDE 0140-1)

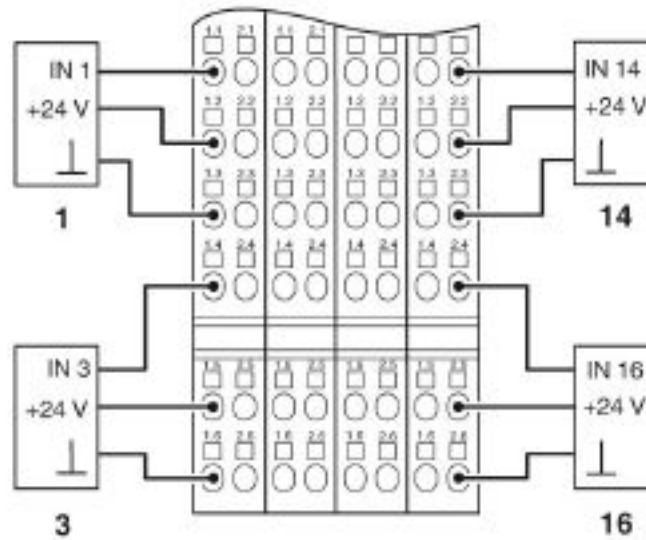
#### Environmental Product Compliance

China RoHS	Environmentally friendly use period: unlimited = EFUP-e
	No hazardous substances above threshold values

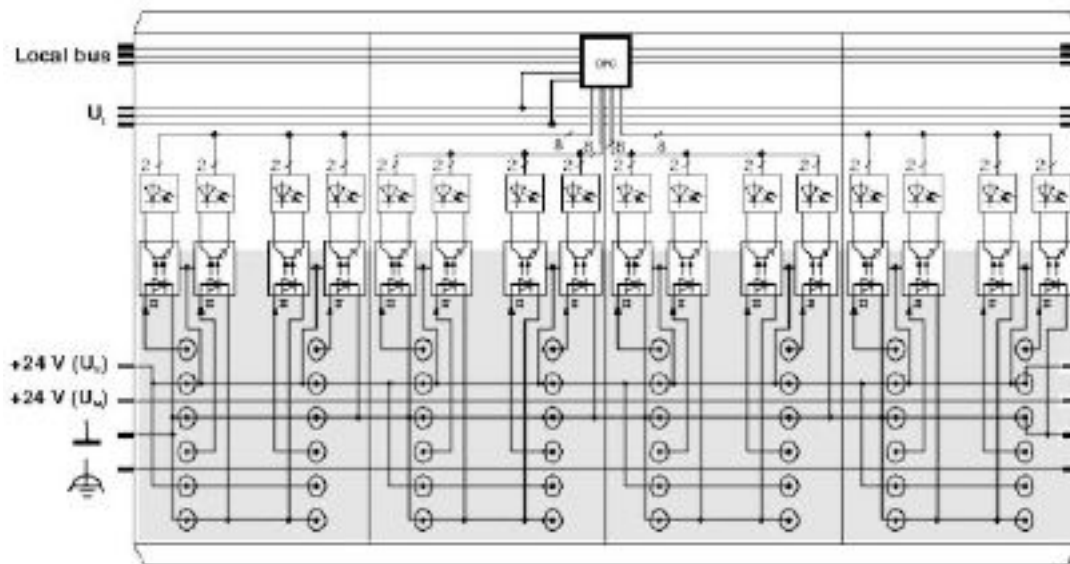
### Drawings

# Inline terminal - IB IL 24 DI 16-PAC/SN - 2862958

Connection diagram

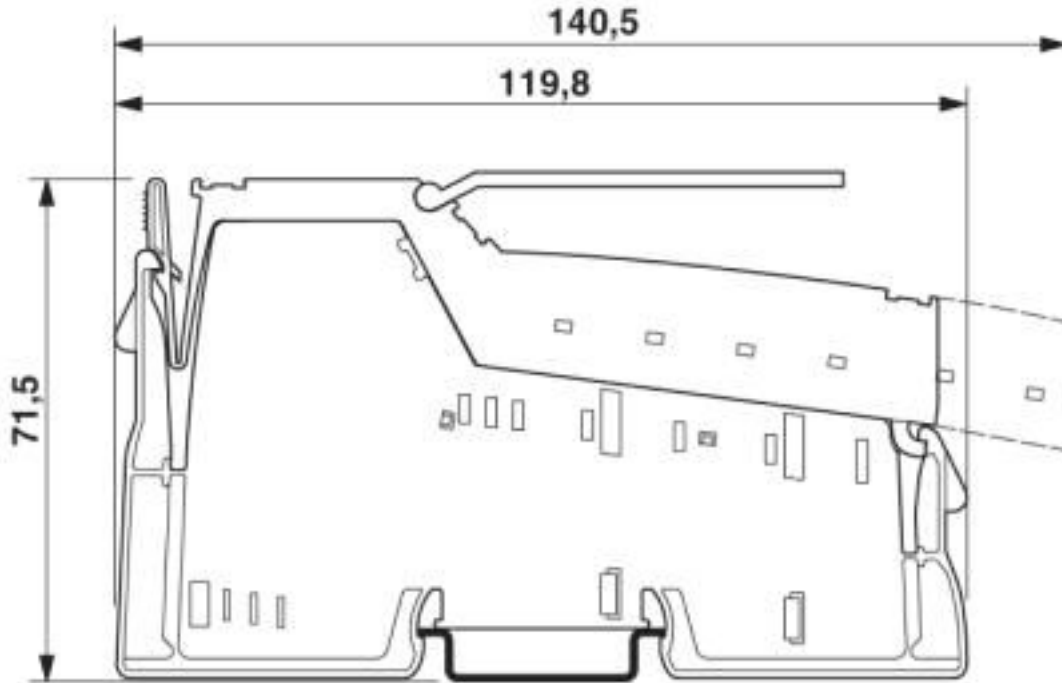


Block diagram



# Inline terminal - IB IL 24 DI 16-PAC/SN - 2862958

Dimensional drawing



## Classifications

eCl@ss

eCl@ss 10.0.1	27242604
eCl@ss 4.0	27250300
eCl@ss 4.1	27250300
eCl@ss 5.0	27250300
eCl@ss 5.1	27242600
eCl@ss 6.0	27242600
eCl@ss 7.0	27242604
eCl@ss 8.0	27242604
eCl@ss 9.0	27242604

ETIM

ETIM 2.0	EC001430
ETIM 3.0	EC001599
ETIM 4.0	EC001599
ETIM 5.0	EC001599
ETIM 6.0	EC001599
ETIM 7.0	EC001599

# Inline terminal - IB IL 24 DI 16-PAC/SN - 2862958

## Classifications

### UNSPSC

UNSPSC 6.01	43172015
UNSPSC 7.0901	43201404
UNSPSC 11	43172015
UNSPSC 12.01	43201404
UNSPSC 13.2	32151602
UNSPSC 18.0	32151602
UNSPSC 19.0	32151602
UNSPSC 20.0	32151602
UNSPSC 21.0	32151602

## Approvals

### Approvals




#### Approvals

DNV GL / BV / LR / ABS / BSH / RINA / UL Recognized

#### Ex Approvals


UL Listed / cUL Listed / cULus Listed


### Approval details

DNV GL		<a href="https://approvalfinder.dnvgl.com/">https://approvalfinder.dnvgl.com/</a>	TAA00000BN
BV		<a href="http://www.veristar.com/portal/veristarinfo/generalinfo/approved/approvedProducts/equipmentAndMaterials">http://www.veristar.com/portal/veristarinfo/generalinfo/approved/approvedProducts/equipmentAndMaterials</a>	20989/B2_BV
LR		<a href="http://www.lr.org/en">http://www.lr.org/en</a>	08/20033
ABS		<a href="http://www.eagle.org/eagleExternalPortalWEB/">http://www.eagle.org/eagleExternalPortalWEB/</a>	17-HG1621871-PDA
BSH			658

## Inline terminal - IB IL 24 DI 16-PAC/SN - 2862958

### Approvals

RINA		<a href="http://www.rina.org/en">http://www.rina.org/en</a>	ELE335818XG
------	---	---	-------------

UL Recognized		<a href="http://database.ul.com/cgi-bin/XYV/template/LISEXT/1FRAME/index.htm">http://database.ul.com/cgi-bin/XYV/template/LISEXT/1FRAME/index.htm</a>	FILE E 140324
---------------	---	---	---------------

### Accessories

#### Accessories

#### Connector set

Connector set - IB IL DI16-PLSET/ICP - 2860989



Connector set, for IB IL DI 16, copper, colored identification.

#### Front adapter

Front adapters - FLKM 14-PA-INLINE/IN16 - 2302751



VARIOFACE front adapter for Inline modules, for transferring 16 (2 x 8) digital input signals.

#### Labeling panel

Labeling field - IB IL FIELD 2 - 2727501

Labeling field, width: 12.2 mm



## Inline terminal - IB IL 24 DI 16-PAC/SN - 2862958

### Accessories

Labeling field - IB IL FIELD 8 - 2727515

Labeling field, width: 48.8 mm



---

### Plug

Inline connector - IB IL SCN-12-ICP - 2727611



Connector, color coded, for digital 4, or 16-channel Inline input terminals

---

Inline connector - IB IL SCN-12 - 2726340



Connector, for digital 4 or 16-channel Inline terminals

---

### Terminal marking

Insert strip - ESL 62X10 - 0809492



Insert strip, Sheet, white, unlabeled, can be labeled with: Office printing systems: Laser printer, mounting type: insert, lettering field size: 62 x 10 mm, Number of individual labels: 72

---

Insert strip - ESL 62X46 - 0809502



Insert strip, Sheet, white, unlabeled, can be labeled with: Office printing systems: Laser printer, mounting type: insert, lettering field size: 62 x 46 mm, Number of individual labels: 120



## Inline terminal - IB IL 24 DI 16-PAC/SN - 2862958

### Accessories

---

Connector set - IB IL DI/DO16-PLSET - 2860976

Connector set, for IB IL DI/DO 16, copper, consecutively numbered, no colored identification,

---

---