

Inline terminal - IB IL 24/230 DOR1/W-PC-PAC - 2862178

Please be informed that the data shown in this PDF Document is generated from our Online Catalog. Please find the complete data in the user's documentation. Our General Terms of Use for Downloads are valid (<http://phoenixcontact.com/download>)



Inline, Relay terminal, Relay output: 1 (floating contacts), 24 V DC / 230 V AC, 2.6 A, for switching inductive and capacitive loads, transmission speed in the local bus: 500 kbps, degree of protection: IP20, including Inline connector and labeling field

Product Description

The terminal is designed for use within an Inline station.

It has one floating SPDT relay contact.

The terminal is suitable for switching inductive and capacitive loads.

The terminal can be used in the PELV area and in the AC area.

For switching voltages below 12 V or currents below 100 mA, please use the IB IL 24/230 DOR 1/W-PAC: terminal.


Your advantages

- Safe isolation in acc. with EN 50178
- Floating connection for one actuator
- Nominal current at the output: 2.2 A
- Total current of the terminal: 2.6 A



- MUX

Key Commercial Data

Packing unit	1 pc
GTIN	 4 017918 894665
GTIN	4017918894665
Weight per Piece (excluding packing)	79.700 g
Custom tariff number	85389099
Country of origin	Germany

Technical data

Note

Utilization restriction	EMC: class A product, see manufacturer's declaration in the download area
-------------------------	---

Inline terminal - IB IL 24/230 DOR1/W-PC-PAC - 2862178

Technical data

Dimensions

Width	12.2 mm
Height	119.8 mm
Depth	71.5 mm
Note on dimensions	Housing dimensions

Ambient conditions

Ambient temperature (operation)	-25 °C ... 55 °C
Ambient temperature (storage/transport)	-25 °C ... 85 °C
Permissible humidity (operation)	10 % ... 95 % (non-condensing)
Permissible humidity (storage/transport)	10 % ... 95 % (non-condensing)
Air pressure (operation)	70 kPa ... 106 kPa (up to 3000 m above sea level)
Air pressure (storage/transport)	70 kPa ... 106 kPa (up to 3000 m above sea level)
Degree of protection	IP20

General

Mounting type	DIN rail
Color	gray
Net weight	46 g
Note on weight specifications	with connector
Operating mode	Process data mode with 2 bits

Interfaces

Designation	Inline local bus
No. of channels	2
Connection method	Inline data jumper
Transmission speed	500 kbps

Inline potentials

Designation	Communications power (U _L)
Supply voltage	7.5 V DC (via voltage jumper)
Current consumption	max. 60 mA
Power consumption	max. 0.45 W

Digital outputs

Output name	Relay output
Output description	SPDT relay contact
Connection method	Spring-cage connection
Number of outputs	1 (floating contacts)
Nominal output voltage	24 V DC
	230 V AC

Inline terminal - IB IL 24/230 DOR1/W-PC-PAC - 2862178

Technical data

Digital outputs

Maximum output current per channel	2.6 A
Maximum output current per module	2.6 A

Relay outputs

Switching current	max. 2.6 A (At 30 V DC)
	max. 0.15 A (for 250 V DC)
Switching capacity	max. 750 VA (see to derating)
Limiting continuous current	2.6 A
Contact type	1 floating PDT
Switching voltage	max. 253 V AC
	max. 250 V DC
Switching current	max. 2.6 A (At 30 V DC)
	max. 0.15 A (for 250 V DC)
Switching capacity	max. 750 VA (see to derating)
Mechanical service life	2x 10 ⁷ cycles

Electrical isolation

Test section	Relay contact / Bus logics 4 kV 50 Hz 1 min.
	Contact/contact 1 kV 50 Hz 1 min.
	Contact / PE 1 kV 50 Hz 1 min.

Standards and Regulations

Connection in acc. with standard	CUL
Protection class	I (MЭК 61140, EN 61140, VDE 0140-1)

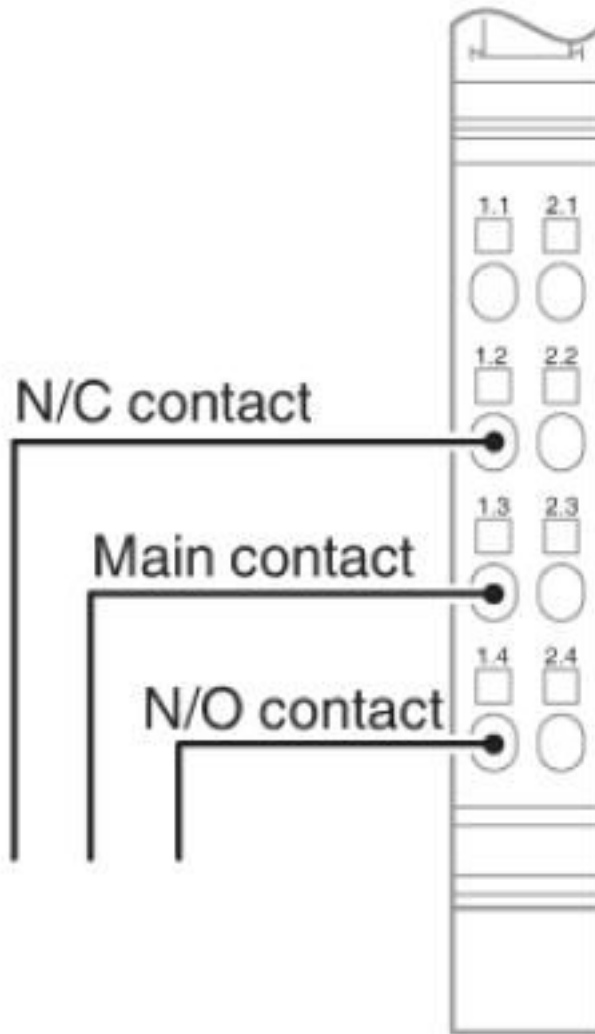
Environmental Product Compliance

China RoHS	Environmentally friendly use period: unlimited = EFUP-e
	No hazardous substances above threshold values

Drawings

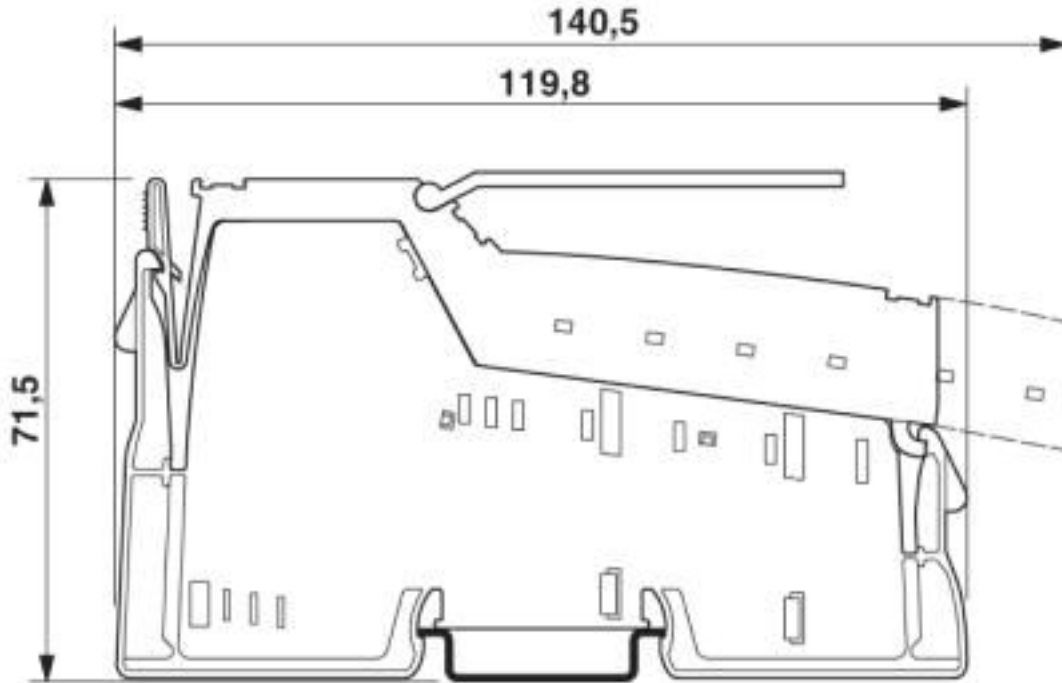
Inline terminal - IB IL 24/230 DOR1/W-PC-PAC - 2862178

Connection diagram



Inline terminal - IB IL 24/230 DOR1/W-PC-PAC - 2862178

Dimensional drawing



Classifications

eCl@ss

eCl@ss 10.0.1	27242604
eCl@ss 4.0	27250300
eCl@ss 4.1	27250300
eCl@ss 5.0	27250300
eCl@ss 5.1	27242600
eCl@ss 6.0	27242600
eCl@ss 7.0	27242604
eCl@ss 8.0	27242604
eCl@ss 9.0	27242604

ETIM

ETIM 2.0	EC001430
ETIM 3.0	EC001599
ETIM 4.0	EC001599
ETIM 5.0	EC001599
ETIM 6.0	EC001599
ETIM 7.0	EC001599

Inline terminal - IB IL 24/230 DOR1/W-PC-PAC - 2862178

Classifications

UNSPSC

UNSPSC 6.01	43172015
UNSPSC 7.0901	43201404
UNSPSC 11	43172015
UNSPSC 12.01	43201404
UNSPSC 13.2	32151602
UNSPSC 18.0	32151602
UNSPSC 19.0	32151602
UNSPSC 20.0	32151602
UNSPSC 21.0	32151602

Approvals

Approvals

Approvals

UL Recognized / EAC

Ex Approvals

Approval details

UL Recognized		http://database.ul.com/cgi-bin/XYV/template/LISEXT/1FRAME/index.htm	FILE E 140324
---------------	---	---	---------------

EAC		EAC-Zulassung
-----	---	---------------

Accessories

Accessories

Connector set

Inline terminal - IB IL 24/230 DOR1/W-PC-PAC - 2862178

Accessories

Connector set - IB IL DOR LV-PLSET - 2742667



Connector set for distance terminal

Distance terminal

Inline terminal - IB IL DOR LV-SET-PAC - 2861645



Inline distance terminal, complete with accessories

Labeling panel

Labeling field - IB IL FIELD 2 - 2727501



Labeling field, width: 12.2 mm

Plug

Inline connector - IB IL SCN-8-AC-REL - 2740290



Plug, for digital 1, 2 or 8-channel Inline terminals with AC voltage

Terminal marking

Inline terminal - IB IL 24/230 DOR1/W-PC-PAC - 2862178

Accessories

Insert strip - ESL 62X10 - 0809492



Insert strip, Sheet, white, unlabeled, can be labeled with: Office printing systems: Laser printer, mounting type: insert, lettering field size: 62 x 10 mm, Number of individual labels: 72