

## Inline terminal - IB IL 24/230 DOR1/W-2MBD-PAC - 2862110

Please be informed that the data shown in this PDF Document is generated from our Online Catalog. Please find the complete data in the user's documentation. Our General Terms of Use for Downloads are valid (<http://phoenixcontact.com/download>)



Inline, Relay terminal, Relay output: 1 (floating contacts), 24 V DC / 230 V AC, 3 A, for switching ohmic loads, transmission speed in the local bus: 2 Mbps, degree of protection: IP20, including Inline connector and labeling field


### Product Description

The terminal is designed for use within an Inline station. It has one floating SPDT relay contact.

### Your advantages

- Safe isolation
- Floating connection for one actuator
- Nominal current at the output: 3 A
- Total current of the terminal: 3 A
- Diagnostic and status indicators

### Key Commercial Data

Packing unit	1 pc
GTIN	 4 017918 974732
GTIN	4017918974732
Weight per Piece (excluding packing)	78.200 g
Custom tariff number	85389091
Country of origin	Germany

### Technical data

#### Note

Utilization restriction	EMC: class A product, see manufacturer's declaration in the download area
-------------------------	---

# Inline terminal - IB IL 24/230 DOR1/W-2MBD-PAC - 2862110

## Technical data

### Dimensions

Width	12.2 mm
Height	119.8 mm
Depth	71.5 mm
Note on dimensions	Housing dimensions

### Ambient conditions

Ambient temperature (operation)	-25 °C ... 55 °C
Ambient temperature (storage/transport)	-25 °C ... 85 °C
Permissible humidity (operation)	75 % ... 85 % (in the range of -25°C ... +55°C, appropriate measures against increased humidity (> 85%) must be taken.)
Permissible humidity (storage/transport)	75 % ... 85 % (slight temporary condensation may sometimes appear on the housing)
Air pressure (operation)	70 kPa ... 106 kPa (up to 3000 m above sea level)
Air pressure (storage/transport)	70 kPa ... 106 kPa (up to 3000 m above sea level)
Degree of protection	IP20

### General

Mounting type	DIN rail
Color	gray
Net weight	46 g
Note on weight specifications	without plug

### Interfaces

Designation	Inline local bus
No. of channels	2
Connection method	Inline data jumper
Transmission speed	2 Mbps

### Inline potentials

Designation	Communications power ( $U_L$ )
Supply voltage	7.5 V DC (via voltage jumper)
Current consumption	max. 60 mA

### Digital outputs

Output name	Relay output
Output description	SPDT relay contact
Connection method	Spring-cage connection
Number of outputs	1 (floating contacts)
Protective circuit	Overload protection, short-circuit protection of outputs
Nominal output voltage	24 V DC
	230 V AC

## Inline terminal - IB IL 24/230 DOR1/W-2MBD-PAC - 2862110

### Technical data

#### Digital outputs

Maximum output current per channel	3 A
Maximum output current per module	3 A

#### Electrical isolation

Test section	Relay contact / Bus logics 4 kV 50 Hz 1 min.
	Contact/contact 1 kV 50 Hz 1 min.
	Contact / PE 1 kV 50 Hz 1 min.

#### Standards and Regulations

Protection class	I (MЭК 61140, EN 61140, VDE 0140-1)
------------------	-------------------------------------

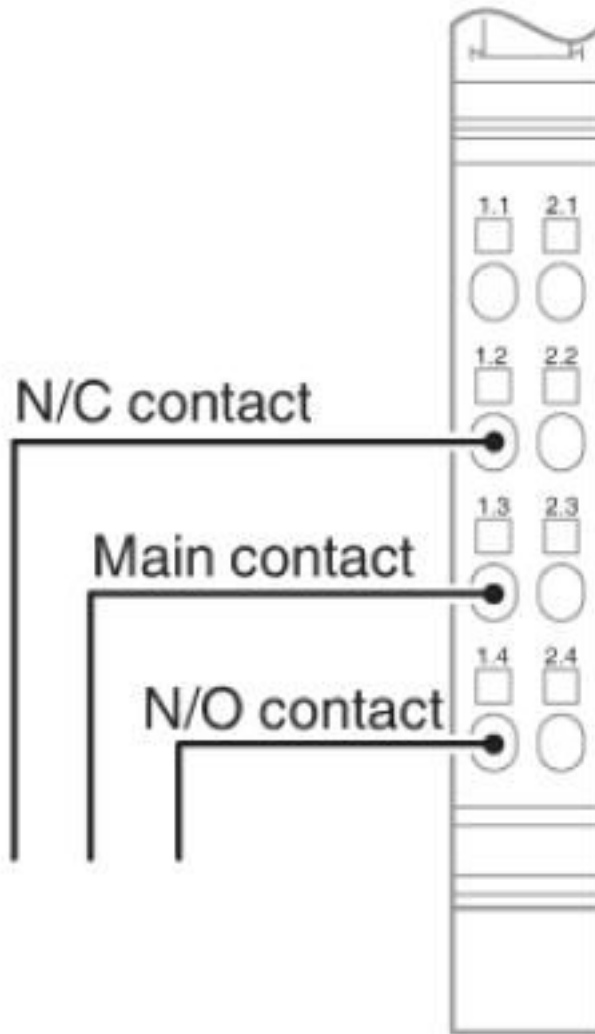
#### Environmental Product Compliance

China RoHS	Environmentally friendly use period: unlimited = EFUP-e
	No hazardous substances above threshold values

### Drawings

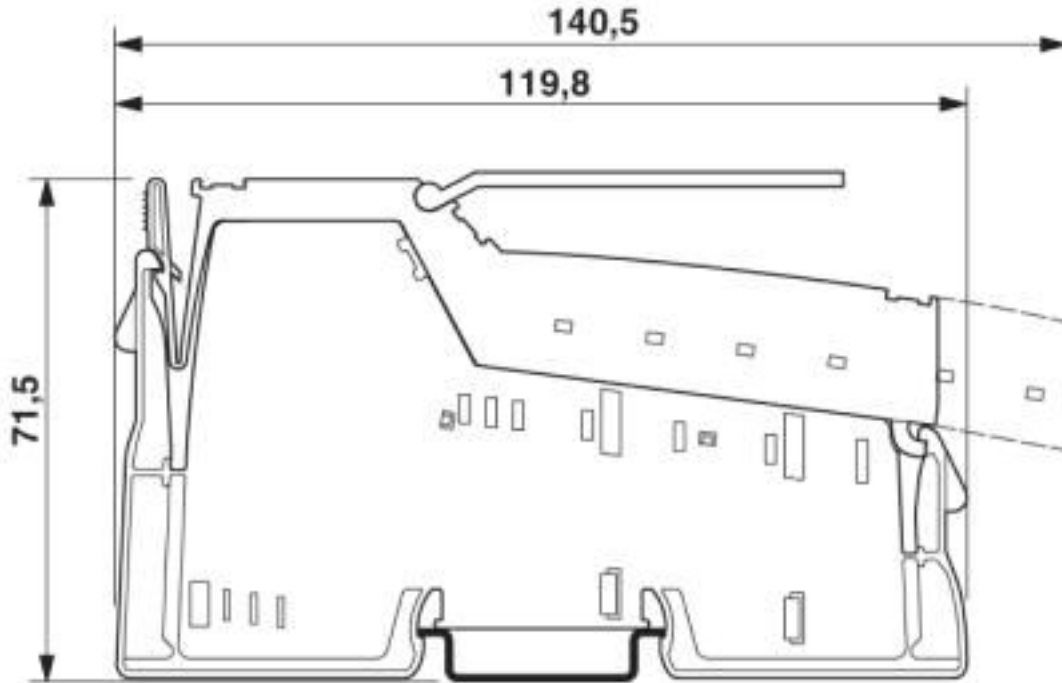
# Inline terminal - IB IL 24/230 DOR1/W-2MBD-PAC - 2862110

Connection diagram



# Inline terminal - IB IL 24/230 DOR1/W-2MBD-PAC - 2862110

Dimensional drawing



## Classifications

eCl@ss

eCl@ss 10.0.1	27242604
eCl@ss 4.0	27250300
eCl@ss 4.1	27250300
eCl@ss 5.0	27250300
eCl@ss 5.1	27242600
eCl@ss 6.0	27242600
eCl@ss 7.0	27242604
eCl@ss 8.0	27242604
eCl@ss 9.0	27242604

ETIM

ETIM 2.0	EC001430
ETIM 3.0	EC001599
ETIM 4.0	EC001599
ETIM 5.0	EC001599
ETIM 6.0	EC001599
ETIM 7.0	EC001599

# Inline terminal - IB IL 24/230 DOR1/W-2MBD-PAC - 2862110

## Classifications

### UNSPSC

UNSPSC 6.01	43172015
UNSPSC 7.0901	43201404
UNSPSC 11	43172015
UNSPSC 12.01	43201404
UNSPSC 13.2	32151602
UNSPSC 18.0	32151602
UNSPSC 19.0	32151602
UNSPSC 20.0	32151602
UNSPSC 21.0	32151602

## Approvals

### Approvals

Approvals

UL Listed / cUL Listed / cULus Listed

Ex Approvals

### Approval details

UL Listed		<a href="http://database.ul.com/cgi-bin/XYV/template/LISEXT/1FRAME/index.htm">http://database.ul.com/cgi-bin/XYV/template/LISEXT/1FRAME/index.htm</a>	FILE E 140324
-----------	--	---	---------------

cUL Listed		<a href="http://database.ul.com/cgi-bin/XYV/template/LISEXT/1FRAME/index.htm">http://database.ul.com/cgi-bin/XYV/template/LISEXT/1FRAME/index.htm</a>	FILE E 140324
------------	--	---	---------------

cULus Listed			
--------------	--	--	--

## Accessories

Accessories

Connector set

## Inline terminal - IB IL 24/230 DOR1/W-2MBD-PAC - 2862110

### Accessories

Connector set - IB IL DOR LV-PLSET - 2742667



Connector set for distance terminal

---

### Distance terminal

Inline terminal - IB IL DOR LV-SET - 2742641



Inline distance terminal, without accessories

---

Inline terminal - IB IL DOR LV-SET-PAC - 2861645



Inline distance terminal, complete with accessories

---

Inline terminal - IB IL DOR LV-SET - 2742641



Inline distance terminal, without accessories

---

### Labeling panel

Labeling field - IB IL FIELD 2 - 2727501

Labeling field, width: 12.2 mm



## Inline terminal - IB IL 24/230 DOR1/W-2MBD-PAC - 2862110

### Accessories

---

#### Plug

Inline connector - IB IL SCN-8-AC-REL - 2740290



Plug, for digital 1, 2 or 8-channel Inline terminals with AC voltage

---

#### Terminal marking

Insert strip - ESL 62X10 - 0809492



Insert strip, Sheet, white, unlabeled, can be labeled with: Office printing systems: Laser printer, mounting type: insert, lettering field size: 62 x 10 mm, Number of individual labels: 72

---