

## Inline terminal - IB IL 120 DI 1-PAC - 2861917

Please be informed that the data shown in this PDF Document is generated from our Online Catalog. Please find the complete data in the user's documentation. Our General Terms of Use for Downloads are valid (<http://phoenixcontact.com/download>)



Inline, Digital input terminal, Digital inputs: 1, 120 V AC, connection method: 3-wire, transmission speed in the local bus: 500 kbps, degree of protection: IP20, including Inline connector and labeling field

### Product Description


The terminal is designed for use within an Inline station. It is used to acquire digital signals in the AC voltage range.

### Your advantages

- Connections for one digital sensor
- Maximum permissible load current: 500 mA



### Key Commercial Data

Packing unit	1 pc
GTIN	 4 017918 907464
GTIN	4017918907464
Weight per Piece (excluding packing)	76.450 g
Custom tariff number	85389099
Country of origin	Germany

### Technical data

#### Note

Utilization restriction	EMC: class A product, see manufacturer's declaration in the download area
-------------------------	---

#### Dimensions

Width	12.2 mm
Height	119.8 mm

# Inline terminal - IB IL 120 DI 1-PAC - 2861917

## Technical data

### Dimensions

Depth	71.5 mm
-------	---------

### Ambient conditions

Ambient temperature (operation)	-25 °C ... 55 °C
Ambient temperature (storage/transport)	-25 °C ... 85 °C
Permissible humidity (operation)	75 % ... 85 % (in the range of -25°C ... +55°C, appropriate measures against increased humidity (> 85%) must be taken.)
Permissible humidity (storage/transport)	75 % ... 85 % (slight temporary condensation may sometimes appear on the housing)
Air pressure (operation)	80 kPa ... 160 kPa (up to 2000 m above sea level)
Air pressure (storage/transport)	70 kPa ... 106 kPa (up to 3000 m above sea level)
Degree of protection	IP20

### General

Mounting type	DIN rail
Net weight	39 g
Note on weight specifications	without plug

### Interfaces

Designation	Inline local bus
No. of channels	2
Connection method	Inline data jumper
Transmission speed	500 kbps

### Power supply for module electronics

Supply voltage	120 V AC
Supply voltage range	108 V AC ... 135 V AC

### Inline potentials

Designation	Communications power ( $U_L$ )
Supply voltage	7.5 V DC (via voltage jumper)
Current consumption	max. 30 mA
Designation	I/O supply
Supply voltage	120 V AC (via voltage jumper)
Current consumption	0.25 A

### Digital inputs

Input name	Digital inputs
Description of the input	IEC 61131-2 type 1
Connection method	Spring-cage connection
Connection technology	3-wire

## Inline terminal - IB IL 120 DI 1-PAC - 2861917

### Technical data

#### Digital inputs

Number of inputs	1
Nominal input voltage $U_{IN}$	120 V AC
Nominal input current at $U_{IN}$	8.1 mA (at nominal voltage)
Input voltage	120 V AC
Input voltage range "0" signal	0 V AC ... 40 V AC
Input voltage range "1" signal	77 V AC ... 135 V AC

#### Electrical isolation

Test section	5 V supply, incoming remote bus/7.5 V supply (bus logics) 500 V AC 50 Hz 1 min.
	5 V supply, outgoing remote bus/7.5 V supply (bus logics) 500 V AC 50 Hz 1 min.
	7.5 V supply (bus logics) / I/O area 2500 V AC 50 Hz 1 min.
	Routine test 1200 V AC 50 Hz 1 min.

#### Standards and Regulations

Connection in acc. with standard	CUL
Protection class	I (MЭК 61140, EN 61140, VDE 0140-1)

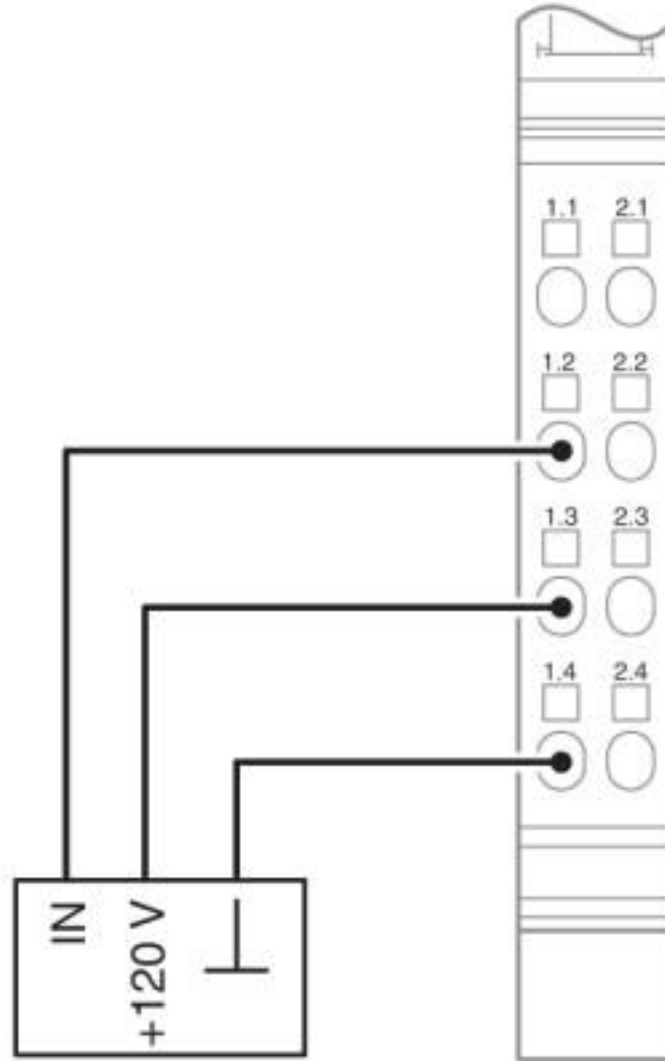
#### Environmental Product Compliance

China RoHS	Environmentally Friendly Use Period = 50 years
	For details about hazardous substances go to tab "Downloads", Category "Manufacturer's declaration"

### Drawings

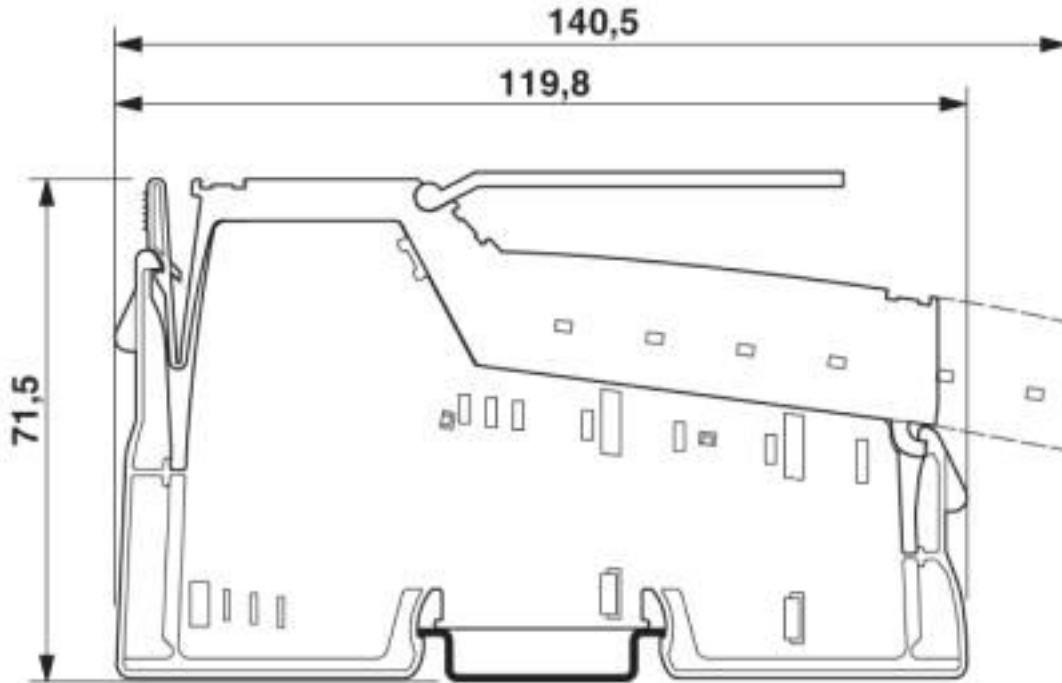
# Inline terminal - IB IL 120 DI 1-PAC - 2861917

Connection diagram



# Inline terminal - IB IL 120 DI 1-PAC - 2861917

Dimensional drawing



## Classifications

### eCl@ss

eCl@ss 10.0.1	27242604
eCl@ss 4.0	27250300
eCl@ss 4.1	27250300
eCl@ss 5.0	27250300
eCl@ss 5.1	27242600
eCl@ss 6.0	27242600
eCl@ss 7.0	27242604
eCl@ss 8.0	27242604
eCl@ss 9.0	27242604

### ETIM

ETIM 2.0	EC001430
ETIM 3.0	EC001599
ETIM 4.0	EC001599
ETIM 5.0	EC001599
ETIM 6.0	EC001599
ETIM 7.0	EC001599

# Inline terminal - IB IL 120 DI 1-PAC - 2861917

## Classifications

### UNSPSC

UNSPSC 6.01	43172015
UNSPSC 7.0901	43201404
UNSPSC 11	43172015
UNSPSC 12.01	43201404
UNSPSC 13.2	32151602
UNSPSC 18.0	32151602
UNSPSC 19.0	32151602
UNSPSC 20.0	32151602
UNSPSC 21.0	32151602

## Approvals

### Approvals

---

Approvals

UL Recognized / EAC

---

Ex Approvals

---

### Approval details

UL Recognized		<a href="http://database.ul.com/cgi-bin/XYV/template/LISEXT/1FRAME/index.htm">http://database.ul.com/cgi-bin/XYV/template/LISEXT/1FRAME/index.htm</a>	FILE E 140324
---------------	---	---	---------------

EAC		EAC-Zulassung
-----	---	---------------

## Accessories

Accessories

Labeling panel

## Inline terminal - IB IL 120 DI 1-PAC - 2861917

### Accessories

Labeling field - IB IL FIELD 2 - 2727501

Labeling field, width: 12.2 mm



### Plug

Inline connector - IB IL SCN-8-AC-ICP - 2740261



Plug, colored identification, for digital 1, -2 or 8-channel Inline input terminal blocks with AC voltage

### Terminal marking

Insert strip - ESL 62X10 - 0809492



Insert strip, Sheet, white, unlabeled, can be labeled with: Office printing systems: Laser printer, mounting type: insert, lettering field size: 62 x 10 mm, Number of individual labels: 72