

## Inline terminal - IB IL 24 SEG/F-D-PAC - 2861904

Please be informed that the data shown in this PDF Document is generated from our Online Catalog. Please find the complete data in the user's documentation. Our General Terms of Use for Downloads are valid (<http://phoenixcontact.com/download>)



Inline segment terminal block, complete with accessories (connector and labeling field), 24 V DC, with fuse and diagnostics

The figure shows the product version  
IB IL 24 SEG/F-PAC

### Your advantages

- Automatic creation of a segment circuit in the main circuit
- Segment circuit protected by an internal fuse
- Diagnostic and status indicators



-MXXI

### Key Commercial Data

Packing unit	1 pc
GTIN	 4 017918 894603
GTIN	4017918894603
Weight per Piece (excluding packing)	81.500 g
Custom tariff number	85389099
Country of origin	Germany

### Technical data

#### Note

Utilization restriction	EMC: class A product, see manufacturer's declaration in the download area
-------------------------	---

#### Dimensions

Width	12.2 mm
Height	119.8 mm

# Inline terminal - IB IL 24 SEG/F-D-PAC - 2861904

## Technical data

### Dimensions

Depth	71.5 mm
-------	---------

### Interfaces

Connection method	Inline data jumper
Interface	Inline local bus

### Power supply

Typical current consumption	30 mA
I/O voltage	24 V DC
I/O voltage range	19.2 V DC ... 30 V DC
Max. current consumption	4 A
Fuse	SI 5 x 20 6, 300 AT (in scope of delivery)

### General

Type of protection	Overload protection
Weight	42 g
Number of plugs	1

### Inline potentials

Designation	Communications power ( $U_L$ )
Supply voltage	7.5 V DC (via voltage jumper)
Current consumption	max. 25 mA
Designation	Main circuit supply ( $U_M$ )
Supply voltage	24 V DC
Supply voltage range	19.2 V DC ... 30 V DC (including all tolerances, including ripple)
Current consumption	max. 4 A (nominal value)
Designation	Segment circuit supply ( $U_S$ )
Supply voltage	24 V DC
Supply voltage range	19.2 V DC ... 30 V DC (including all tolerances, including ripple)
Power supply unit	max. 4 A (nominal value)

### Standards and Regulations

Connection in acc. with standard	CUL
----------------------------------	-----

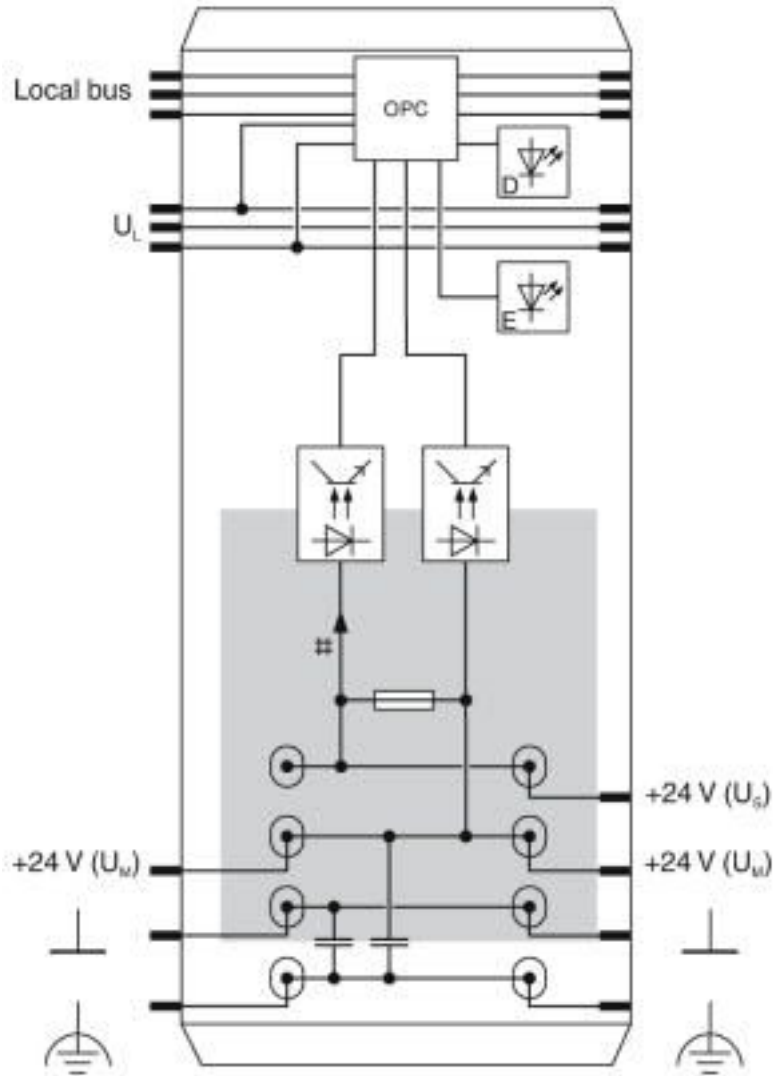
### Environmental Product Compliance

REACH SVHC	Lead 7439-92-1
China RoHS	Environmentally friendly use period: unlimited = EFUP-e
	No hazardous substances above threshold values

## Drawings

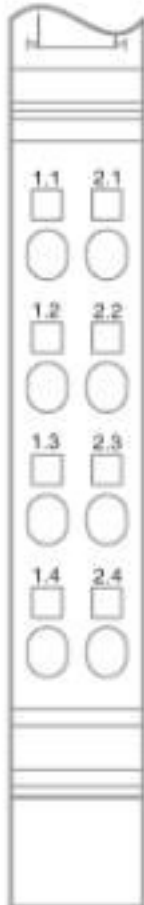
# Inline terminal - IB IL 24 SEG/F-D-PAC - 2861904

Block diagram



## Inline terminal - IB IL 24 SEG/F-D-PAC - 2861904

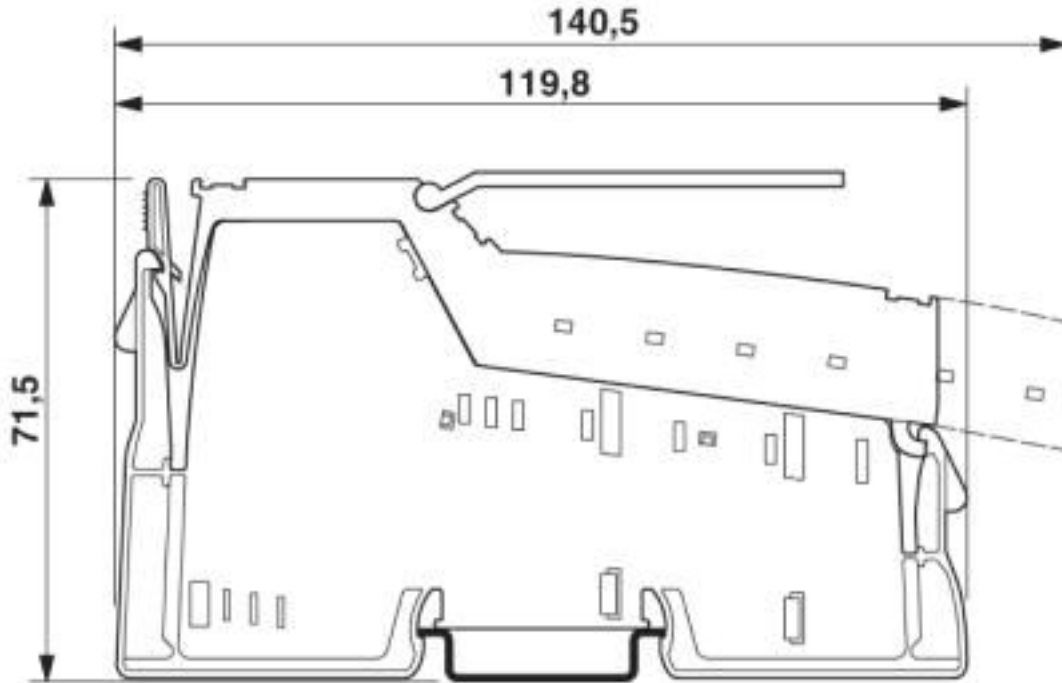
Connection diagram



**$U_M$  and  $U_S$  connected internally  
via fuse**

# Inline terminal - IB IL 24 SEG/F-D-PAC - 2861904

Dimensional drawing



## Classifications

### eCl@ss

eCl@ss 10.0.1	27242610
eCl@ss 4.0	27250300
eCl@ss 4.1	27250300
eCl@ss 5.0	27250300
eCl@ss 5.1	27242600
eCl@ss 6.0	27242600
eCl@ss 7.0	27242610
eCl@ss 8.0	27242610
eCl@ss 9.0	27242610

### ETIM

ETIM 2.0	EC001433
ETIM 3.0	EC001600
ETIM 4.0	EC001600
ETIM 5.0	EC001600
ETIM 6.0	EC001600
ETIM 7.0	EC001600

# Inline terminal - IB IL 24 SEG/F-D-PAC - 2861904

## Classifications

### UNSPSC

UNSPSC 6.01	43172015
UNSPSC 7.0901	43201404
UNSPSC 11	43172015
UNSPSC 12.01	43201404
UNSPSC 13.2	32151602
UNSPSC 18.0	32151602
UNSPSC 19.0	32151602
UNSPSC 20.0	32151602
UNSPSC 21.0	32151602

## Approvals

### Approvals

---

#### Approvals

UL Recognized / EAC

---


#### Ex Approvals

UL Listed / cUL Listed / cULus Listed

---

### Approval details

UL Recognized		<a href="http://database.ul.com/cgi-bin/XYVV/template/LISEXT/1FRAME/index.htm">http://database.ul.com/cgi-bin/XYVV/template/LISEXT/1FRAME/index.htm</a>	FILE E 140324
---------------	---	---	---------------

EAC		EAC-Zulassung
-----	---	---------------

## Accessories

### Accessories

Labeling panel

## Inline terminal - IB IL 24 SEG/F-D-PAC - 2861904

### Accessories

Labeling field - IB IL FIELD 2 - 2727501

Labeling field, width: 12.2 mm



### Plug

Inline connector - IB IL SCN-PWR IN-CP - 2727637



Connector, colored, for Inline power and segment terminal blocks

### Terminal marking

Insert strip - ESL 62X10 - 0809492



Insert strip, Sheet, white, unlabeled, can be labeled with: Office printing systems: Laser printer, mounting type: insert, lettering field size: 62 x 10 mm, Number of individual labels: 72