

Field multiplexer - IB IL 24 MUX MA-PAC - 2861205

Please be informed that the data shown in this PDF Document is generated from our Online Catalog. Please find the complete data in the user's documentation. Our General Terms of Use for Downloads are valid (<http://phoenixcontact.com/download>)



Inline field multiplexer, complete with accessories (connector and labeling field), transmission of very remote signals without configuration

Product Description

A field multiplexer system is a simple system for transmitting signals between two remote stations. It has a modular structure and is designed to reduce conventional parallel cabling.

A field multiplexer system consists of two identical field multiplexer stations.

The field multiplexer exchanges data with the remote station via a remote bus cable.

The field multiplexer is the central unit of a field multiplexer station.


All the necessary Inline I/O terminals of a station are connected to the field multiplexer.

Your advantages

- ✓ Remote bus connections in copper technology (can be operated via fiber optics using an interface converter as an option)
- ✓ A field multiplexer station can be supplied with all of the required 24 V voltages
- ✓ Floating alarm output ("N/C" relay contact) for connecting alarm signals
- ✓ Up to 63 I/O terminals can be connected
- ✓ Up to 512 digital or 32 analog I/Os (or a mixture) can be connected
- ✓ Connection establishment and comparison of the I/O configuration of both stations



Key Commercial Data

Packing unit	1 pc
GTIN	 4 017918 902506
GTIN	4017918902506
Weight per Piece (excluding packing)	268.500 g
Custom tariff number	85389091
Country of origin	Germany

Field multiplexer - IB IL 24 MUX MA-PAC - 2861205

Technical data

Note

Utilization restriction	EMC: class A product, see manufacturer's declaration in the download area
-------------------------	---

Dimensions

Width	48.8 mm
Height	135 mm
Depth	71.5 mm

Ambient conditions

Ambient temperature (operation)	-25 °C ... 55 °C
Ambient temperature (storage/transport)	-25 °C ... 85 °C
Permissible humidity (operation)	10 % ... 95 % (non-condensing)
Permissible humidity (storage/transport)	10 % ... 95 % (non-condensing)
Air pressure (operation)	70 kPa ... 106 kPa (up to 3000 m above sea level)
Air pressure (storage/transport)	70 kPa ... 106 kPa (up to 3000 m above sea level)
Degree of protection	IP20

General

Mounting type	DIN rail
Color	green
Net weight	212 g
Note on weight specifications	with connectors
Degree of pollution	2 (according to EN 50178)

Interfaces

Designation	Remote bus
Connection method	Inline shield connector
Transmission physics	RS-485
Designation	Inline local bus
Connection method	Inline data jumper
Transmission speed	500 kbps

Network/bus system

Number of local bus devices that can be connected	32 (without additional power terminal block, observe allowable total current consumption)
Number of devices with parameter channel	0
Number of supported branch terminals with remote bus branch	0

Inline potentials

Designation	Field multiplexer supply U_{MUX} ; the communications power U_L (7.5 V) and the analog supply U_{ANA} (24 V) are generated from supply U_{MUX} .
-------------	--

Field multiplexer - IB IL 24 MUX MA-PAC - 2861205

Technical data

Inline potentials

Supply voltage	24 V DC (via Inline connector)
Supply voltage range	19.2 V DC ... 30 V DC (including all tolerances, including ripple)
Current consumption	typ. 60 mA (without connected Inline I/O terminals)
	max. 1.25 A (with max. number of connected I/O terminal blocks)
Designation	Communications power (U_L)
Supply voltage	7.5 V DC $\pm 5\%$
Power supply unit	max. 2 A DC (observe derating)
Designation	Supply of analog modules (U_{ANA})
Supply voltage	24 V DC (via Inline connector)
Supply voltage range	19.2 V DC ... 30 V DC (including all tolerances, including ripple)
Power supply unit	max. 0.5 A DC (observe derating)
Designation	Main circuit supply (U_M)
Supply voltage	24 V DC (via voltage jumper)
Supply voltage range	19.2 V DC ... 30 V DC (including all tolerances, including ripple)
Power supply unit	max. 8 A DC (sum of $U_M + U_S$)
Designation	Segment circuit supply (U_S)
Supply voltage	24 V DC (via voltage jumper)
Supply voltage range	19.2 V DC ... 30 V DC (including all tolerances, including ripple)
Power supply unit	max. 8 A DC (sum of $U_M + U_S$)

Electrical isolation

Test section	RS-485 interface / supply voltage 500 V AC
	RS-485 interface / local bus 500 V AC

Standards and Regulations

Mechanical tests	Vibration resistance in acc. with EN 60068-2-6/IEC 60068-2-6 2g
	Shock in acc. with EN 60068-2-27/IEC 60068-2-27 15g
Connection in acc. with standard	CUL
Protection class	III (IEC 61140, EN 61140, VDE 0140-1)
Overvoltage category	II

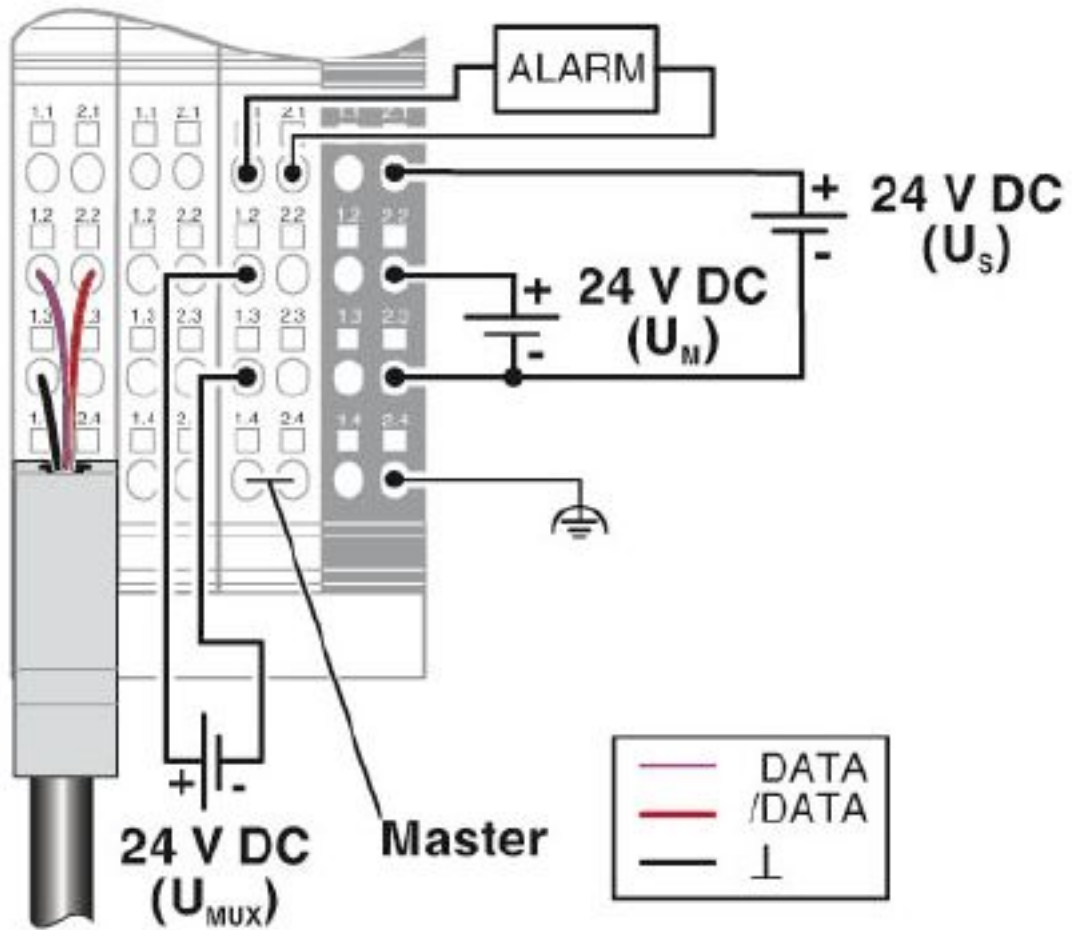
Environmental Product Compliance

REACH SVHC	Lead 7439-92-1
China RoHS	Environmentally friendly use period: unlimited = EFUP-e
	No hazardous substances above threshold values

Drawings

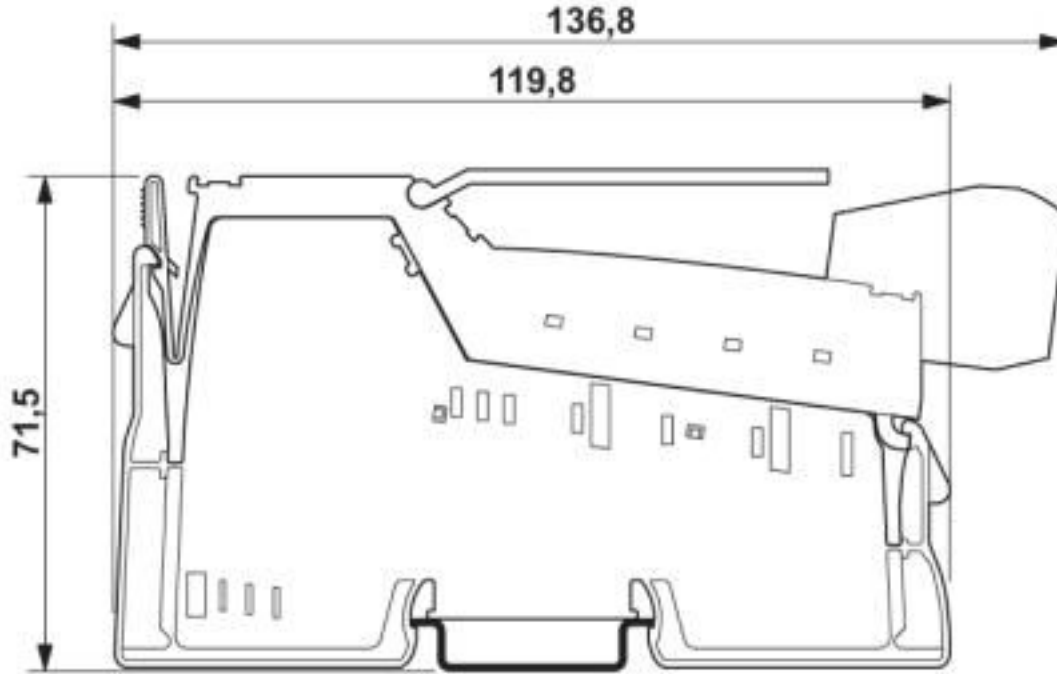
Field multiplexer - IB IL 24 MUX MA-PAC - 2861205

Connection diagram



Field multiplexer - IB IL 24 MUX MA-PAC - 2861205

Dimensional drawing



Classifications

eCl@ss

eCl@ss 10.0.1	27242608
eCl@ss 4.0	27250200
eCl@ss 4.1	27250200
eCl@ss 5.0	27250200
eCl@ss 5.1	27242600
eCl@ss 6.0	27242600
eCl@ss 7.0	27242608
eCl@ss 8.0	27242608
eCl@ss 9.0	27242608

ETIM

ETIM 2.0	EC000768
ETIM 3.0	EC000768
ETIM 4.0	EC000768
ETIM 5.0	EC001604
ETIM 6.0	EC001604
ETIM 7.0	EC001604

Field multiplexer - IB IL 24 MUX MA-PAC - 2861205

Classifications

UNSPSC

UNSPSC 6.01	43172015
UNSPSC 7.0901	43201404
UNSPSC 11	43172015
UNSPSC 12.01	43201404
UNSPSC 13.2	32151602
UNSPSC 18.0	32151602
UNSPSC 19.0	32151602
UNSPSC 20.0	32151602
UNSPSC 21.0	32151602

Approvals

Approvals

Approvals

UL Recognized / EAC / EAC

Ex Approvals

UL Listed / cUL Listed / cULus Listed

Approval details

UL Recognized		http://database.ul.com/cgi-bin/XYV/template/LISEXT/1FRAME/index.htm	FILE E 140324
---------------	--	---	---------------

EAC		EAC-Zulassung
-----	--	---------------

EAC		RU *- DE.A*30.B.01735
-----	--	--------------------------

Accessories

Accessories

Field multiplexer - IB IL 24 MUX MA-PAC - 2861205

Accessories

Adapter cable

Adapter cable - IB IL MUX-CAB PSI - 2878476



Adapter cable for the connection of the field multiplexer to the PSI-MOS interface module

End block

End clamp - CLIPFIX 35-5 - 3022276



Quick mounting end clamp for NS 35/7,5 DIN rail or NS 35/15 DIN rail, with marking option, with parking option for FBS...5, FBS...6, KSS 5, KSS 6, width: 5.15 mm, color: gray

End clamp - E/AL-NS 35 - 1201662



End clamp, for end support of UKH 50 to UKH 240, is pushed onto DIN rail NS 35 and fixed with 2 screws, width: 10 mm, color: aluminum

Labeling panel

Labeling field - IB IL FIELD 2 - 2727501

Labeling field, width: 12.2 mm



Field multiplexer - IB IL 24 MUX MA-PAC - 2861205

Accessories

Labeling field - IB IL FIELD 8 - 2727515

Labeling field, width: 48.8 mm



Terminal marking

Insert strip - ESL 62X10 - 0809492

Insert strip, Sheet, white, unlabeled, can be labeled with: Office printing systems: Laser printer, mounting type: insert, lettering field size: 62 x 10 mm, Number of individual labels: 72



Insert strip - ESL 62X46 - 0809502

Insert strip, Sheet, white, unlabeled, can be labeled with: Office printing systems: Laser printer, mounting type: insert, lettering field size: 62 x 46 mm, Number of individual labels: 120

